

MISENO

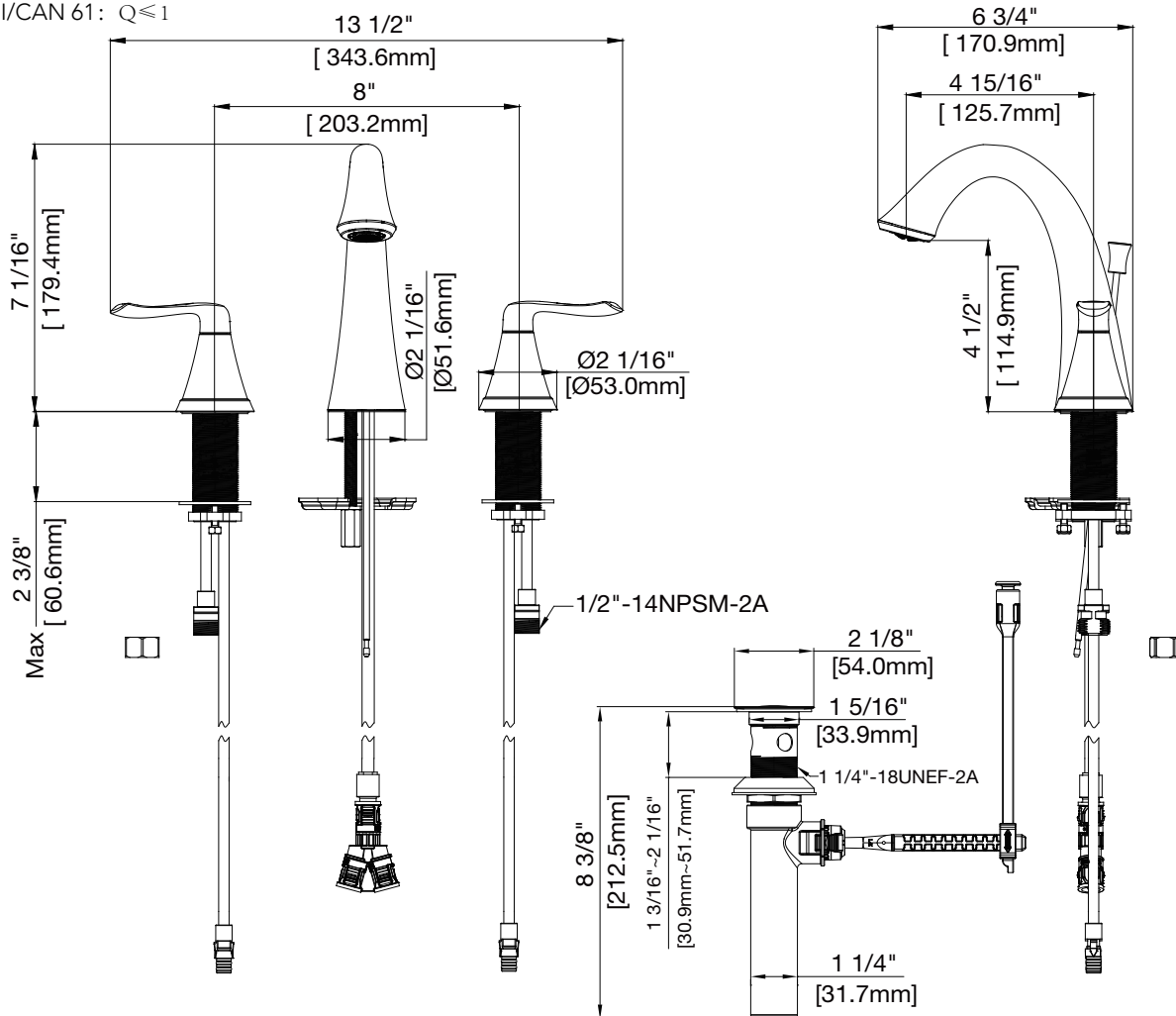
TWO HANDLE LAVATORY FAUCET

Product Codes:

- MNO311LCP (Polished Chrome)
- MNO311LFB (Flat Black)
- MNO311LZBN (Brushed Nickel)



- Max flow rate: 1.2 gpm at 60 psi
- Metal handles
- Ceramic disc cartridge
- 3 hole installation with 8" on-center
- With quick install 50/50 pop up assembly
- WaterSense certified
- Certified to ASME A112.18.1/CSA B125.1
- cUPC/IAPMO listed
- Limited lifetime warranty
- ADA compliant
- NSF/ANSI/CAN 61: $Q \leq 1$



All dimensions are based on original specifications and are subject to change and variation.

See dimensional drawing on next page.

©2023 Ferguson Enterprises, Inc. All Rights Reserved VEN 04/26.

