

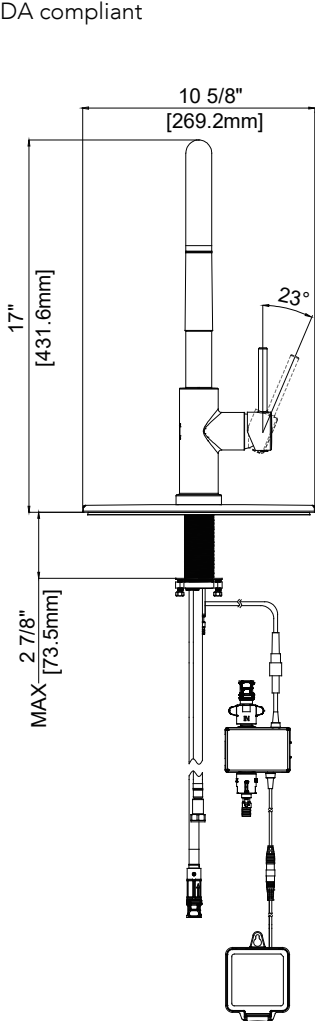
MISENO

SINGLE HANDLE PULL-DOWN SENSOR KITCHEN FAUCET

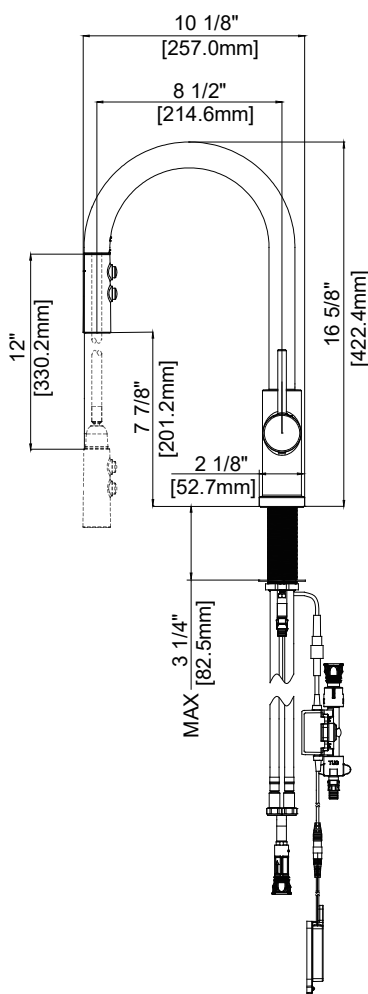
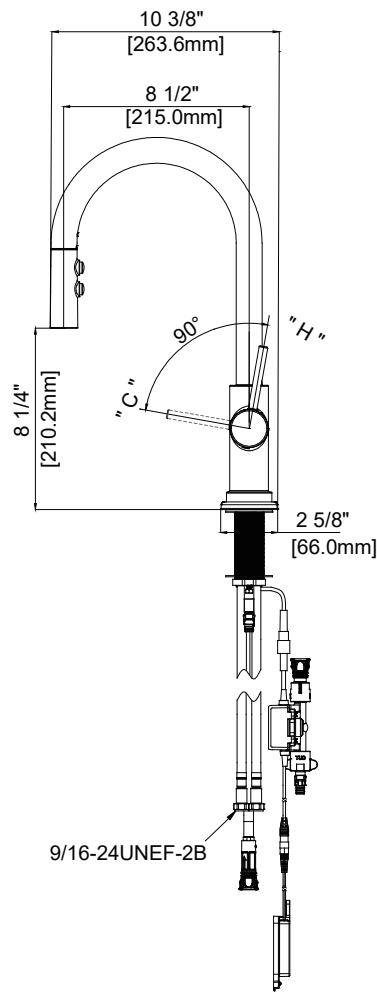
Product Codes:

- MNO191ECP (Polished Chrome)
- MNO191EZSS (Stainless Steel)
- MNO191EFB (Flat Black)
- MNO191ECG (Champagne Gold)

- Max. flow rate: 1.75 gpm at 60 psi
- Ceramic disc cartridge
- 1 or 3 hole installation
- Optional deck plate included
- Certified to ASME A112.18.1/CSA B125.1
- cUPC/IAPMO listed
- Limited lifetime warranty
- NSF/ANSI/CAN 61: $Q \leq 1$
- ADA compliant



With Deckplate



Without Deckplate

All dimensions are based on original specifications and are subject to change and variation.