



**NKF-H06SS MAX Commercial Kitchen Faucet in Stainless Steel**

Requested By: \_\_\_\_\_

Specific Features: \_\_\_\_\_

**STANDARD SPECIFICATIONS:**

- Kitchen faucet with stainless steel finish
- Flexible 360 degree pivotal spout
- Solid brass construction
- Drip free high pressure ceramic cartridge
- Lifetime Limited Warranty
- 1.5-inch diameter hole required
- AB1953 low lead compliant
- cUPC and NSF/ANSI 61 certified
- ADA Compliant

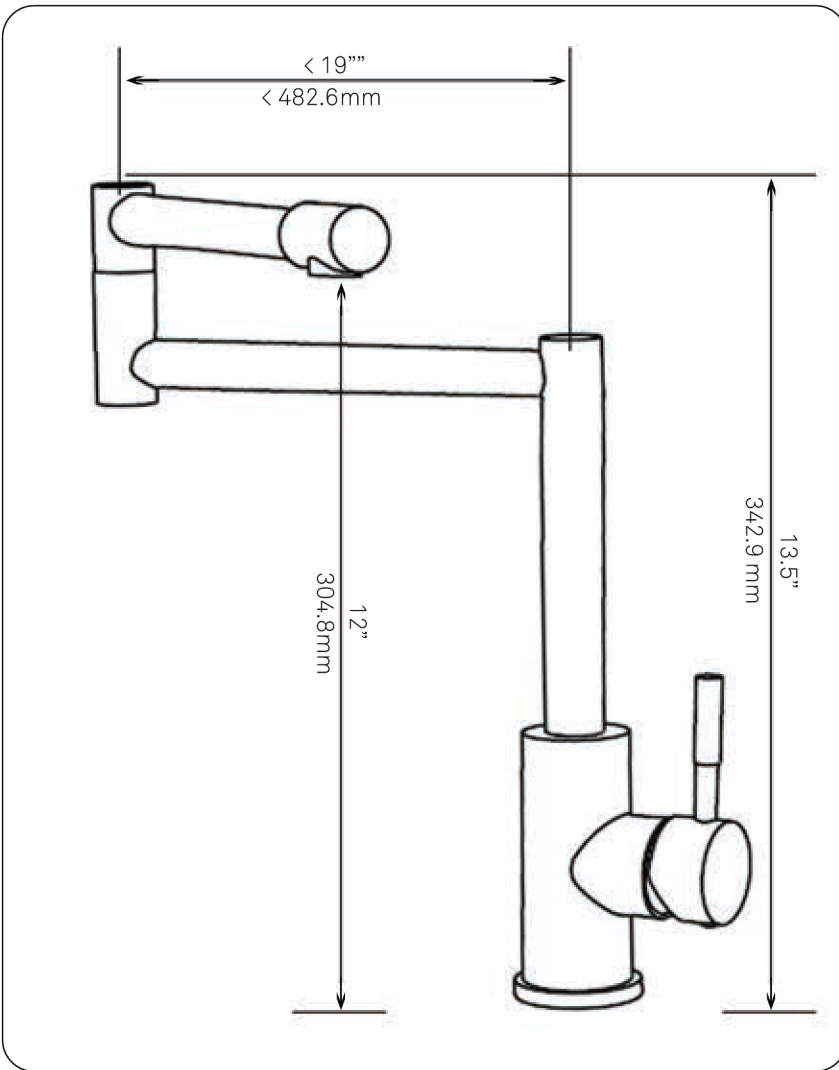
**WARRANTY:**

- Limited lifetime warranty
- See [www.NovattoInc.com](http://www.NovattoInc.com) for details

**COORDINATING ACCESSORIES:**

- Glacier Ice Restoration and Sealer kit

**NOTES**



Novatto reserves the right (1) to make changes in specifications and materials, and (2) to change or discontinue models, both without notice or obligation. Dimensions are for reference only, see [www.NovattoInc.com](http://www.NovattoInc.com) for finish options and product availability.

Novatto Inc  
TOLL FREE 844.404.4242  
[www.NovattoInc.com](http://www.NovattoInc.com)