

145-325 lbs
Be sure
to reinforce

**Artisan Crafted
Handmade**

**Drain Opening
3.5" Standard**

**Installation
Apron Front or
Undermount**

THANK YOU

We would like to take this opportunity to thank you for choosing Novatto. We hope you are truly satisfied with our product(s) and enjoy them for years to come. As a small business, we learn the most from you, the customer. Please visit the link below to leave us a review along with high resolution picture(s). You could win a \$25 Amazon or Visa gift card.

It's easy as...

- Go to novattoinc.com
- At the top, click *Product Registration and Review*
- Find your product model
- Review, submit and let your style flow

NOVATTO
WHERE STYLE FLOWS

Novatto | P: 844.404.4242
support@novattoinc.com
NovattoInc.com



STONE KITCHEN, BAR & PREP SINKS 101

Novatto's master artisans, who design our beautiful stone sinks, start carving from a single block of natural stone. Our sinks reflect not only the inspiration of the craftsmen but also the individual characteristics of the stone itself. Each block of stone has its own personality, expressed in slight differences, such as veining, small natural gaps, areas of enhanced coloration or flecks of minerals; all of which lends itself to an elegant and distinctive look.

Each piece is skillfully made with a small diamond saw and hand-held polishing tool. Our aprons are done by hand, with calculated blows from a hammer and chisel. Therefore, each sink will be a little different; they might not be perfectly symmetrical or there might be a small size differences. These variations and all, create a stone kitchen, bar or prep sink that is not just a centerpiece, but also a sink which is up to the task for everyday use.

TOOLS NEEDED FOR ASSEMBLY (not included)

Specialized tools may be necessary to install Novatto's undermount or apron front sinks with countertop materials other than wood, marble, or granite.



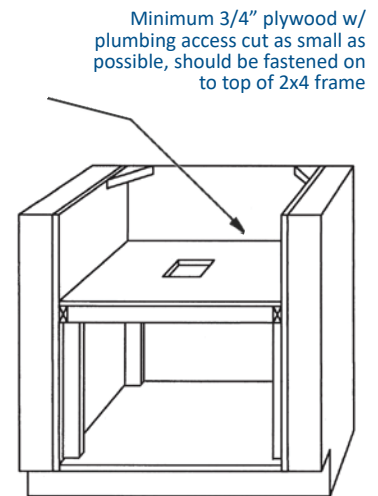
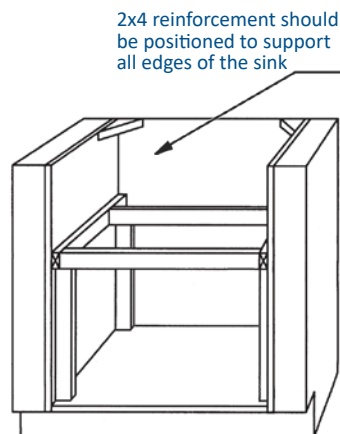
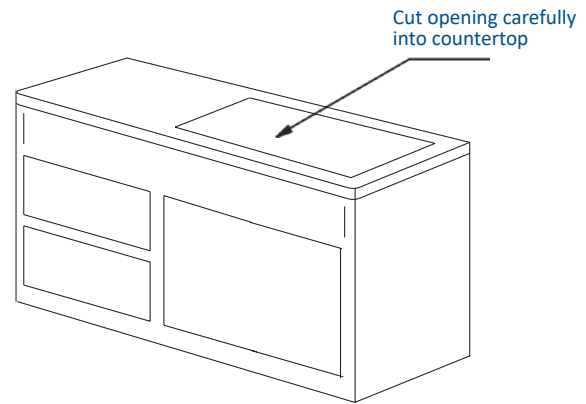
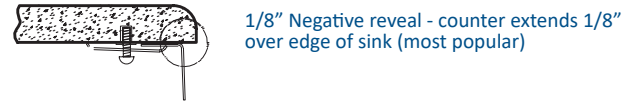
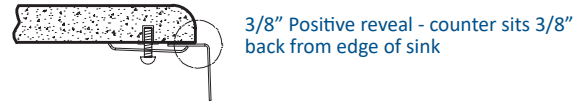
Questions, problems, missing parts? Before returning to your retailer, call our customer service department at 844.404.4242, 7:00 a.m. - 5 p.m., MST, Monday - Friday. Or email us at: support@novattoinc.com

Steps to Complete Your Undermount Sink Project

Farmhouse, bar and prep sinks may require custom cabinetry. We highly recommend consulting an experienced cabinet maker for assistance. Providing the cabinet maker with the actual sink that is to be installed will ensure a custom fit.

- **Determine reveal type:** positive, flush mount or a negative reveal.
- **Do not** place sink directly on floor. After unpacking, place sink on protective material such as the packing materials.
- **For layout,** use the actual sink as the template. No template is provided since each sink will vary slightly.
- **After centering the sink,** place it upside down on counter and mark the countertop by tracing the outline of the sink on to the counter-top to use as a guide for the cutout. Remember to allow clearance for the faucet, backsplash, water supply lines, drain(s), a garbage disposal (if applicable), plus make sure you have full range of motion for your faucet spout and handles.
- **Measure *inside* edge** of your sink's lip and mark counter according to your reveal type.
- **Cut countertop** using the inside line. **STOP** at this point and build your support frame.
- **Build 2x4 support frame** to reinforce area where sink will sit. Make sure ALL edges will be supported. Fasten 3/4" plywood (min.) to the 2x4 frame, cutting the smallest hole possible for plumbing access. The frame must support the weight of the sink and all attachments.

UNDERMOUNT ASSEMBLY



TROUBLESHOOTING TIPS - UNDERMOUNT

Issue	Reason	Solution
Sink seems to be sagging/separating from countertop	Silicon didn't set long enough before using; proper reinforcement not used	Reseal, set for 24hrs; add reinforcement to secure the sink
Does not completely drain	Drain is too high; silicone/putty not removed	Make make sure drain is below bevel; remove excess putty/silicone
Sink is changing color or stained	Abrasive cleaners, soaps or other factors in contact with sink	Stop using abrasives, clean and re-seal; use a stone/tile stain remover

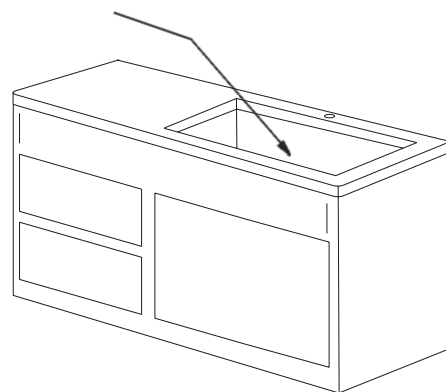
UNDERMOUNT ASSEMBLY (pg.2)

- The support frame should be positioned so when installed, the sink is in line and level with the top of the cabinet.
- **Before applying sealant**, test fit the sink by placing it under the cut-out to ensure a nice fit. The entire weight of the sink should be supported by the support frame. Verify the sink is in line and level with the top of the cabinet. Use shims, if needed, to level the sink.
- **Set the sink** and apply sealant as a gasket to fill in any gaps below the sink front and between the sink and counter-top. Make sure it is centered properly. Hold the sink in place to secure.
- **Carefully** remove any excess sealant from all surfaces and around hole on underside of countertop.
- **Once the sink** has fully set you may install the drain and fixtures. We suggest to install the drain (not included) and fixtures (not included) according to

drain's and fixture's installation instructions. If you will have a garbage disposal, use the directions supplied with the garbage disposer to attach it and complete installation. Make sure a watertight seal exists on all drain connections.

When cleaning up after installation, apply the Glacier Ice Sealer and do not use abrasive cleaners, as they may scratch and alter the surface and finish of the sink.

Install drain and faucet (not included);
connect water supply



PLEASE NOTE - APRON FRONT & UNDERMOUNT SINKS:

- Review and abide by all building and plumbing codes.
- Novatto sinks need to be installed by a licensed professional.
- Evaluate current or desired cabinetry. If you are building or remodeling the area from scratch, you will be able to choose cabinets specifically made for apron front or undermount sinks.

The importance of the cutout is the doors below will be built according to the area needed for the chosen sink.
- Novatto recommends consulting an experienced cabinet maker for assistance and providing them with the actual sink to ensure a custom fit. There is no template.
- Be careful when unpacking the sink, we advise setting it on the packing it was received with.
- Do not use standard plumbers putty or oil-based sealers. These products will stain the stone. Please use 100% silicone gel (non-water based) or a stain-free putty, on the inside of the drain to seal it to the sink.

CARE AND MAINTENANCE

For basic cleaning, apply the Glacier Ice sealer and simply use a mild soap and water. After each use, wipe the basin dry with a soft cloth. Do not allow mineral deposits such as iron, salt, lime, or soap to build up on your sink. Certain types of natural stone tend to lose their vibrant color after years of exposure. To keep your stone sink from going through oxidation and discoloring it is advisable to treat your sink with mineral oil every few months. This will ensure the sink maintains its lustrous color and appearance for a very long time.

We suggest you leave the water running while working with acidic foods or pastes to avoid any reaction. If staining occurs, use a stone cleaner like Glacier Ice.

One of the distinctive characteristics of natural stone are the small voids in the surface of the stone. Because of these natural gaps, over time it may be necessary to fill in any spaces with stone filler, in a color similar to the stone.

The beauty of stone is no two pieces are ever alike, giving you a one-of-a-kind work of art!

Warning: Do NOT use acidic household cleaners, harsh chemical wipes, or abrasives.

APRON FRONT ASSEMBLY

Steps to Complete Your Apron Front Sink Project

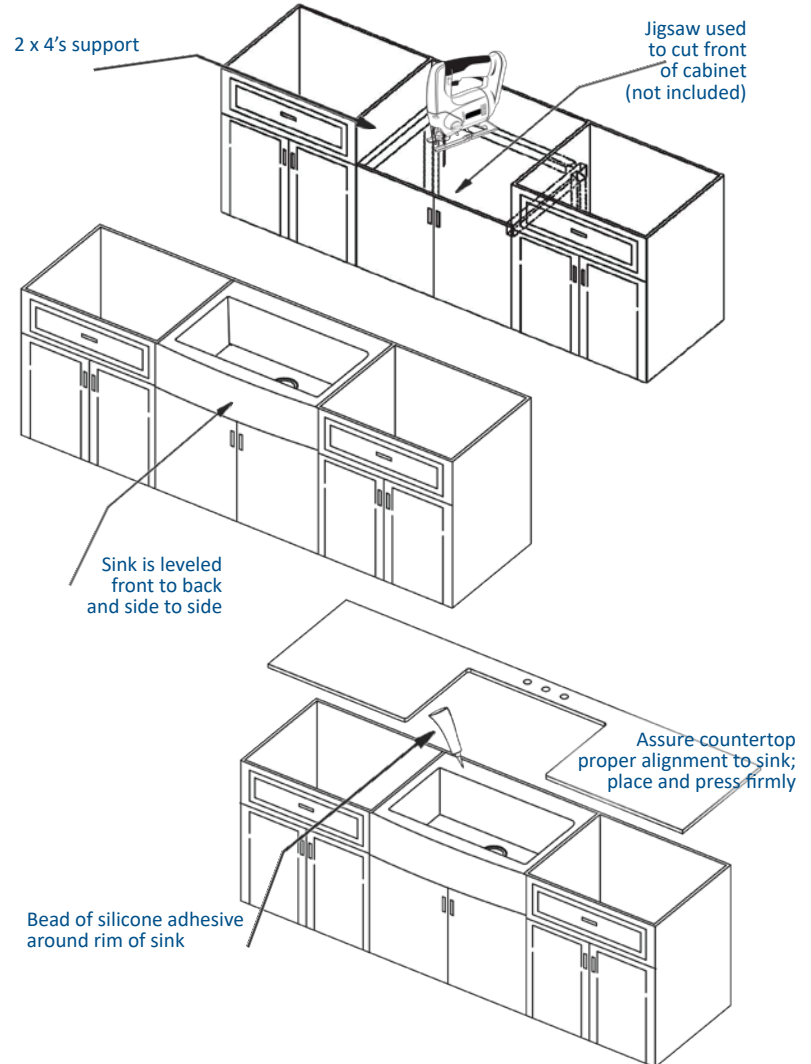
Farmhouse kitchen and bar sinks may require custom cabinetry. We highly recommend consulting an experienced cabinet maker for assistance. Providing the cabinet maker with the actual sink will ensure a perfect fit.

- **Determine reveal type:** positive, flush mount or a negative reveal.
- **Create a custom support frame** using 2 x 4s or install support bars from front to back and along the inner sides of the cabinet. (See *Undermount install for plywood reinforcement.) The frame must adequately support the weight of the sink with water, underneath and all attachments. The support frame should be positioned so when installed, the sink is in line and level with the top of the cabinet. We strongly recommend bracing vertical supports down to the floor as well.
- **For layout,** no template is provided since each sink will vary slightly. After centering the sink, ensure adequate space for faucet, handles and spout, back-splash as well as full range of motion for faucet handles and spout. Use a pencil to outline the sink as the guide for the cut-out. Keep in mind the edge reveal type and make the proper cut-out in the countertop. We highly recommend using a professional installer.
- **Test fit the sink** into the cabinet front cut-out. The entire weight of the sink should be supported by the support frame. Verify the sink is in line and leveled front to back as well as side to side. Use shims, if needed, to level the sink.
- **Set the sink** and apply the Glacier Ice. Hold the sink in place to secure.
- **Apply a bead** of silicone around the top edge of sink. Make sure countertop is centered and properly placed accordingly. Remove any excess silicone from all surfaces.

3/8" Positive reveal - counter sits 3/8" back from edge of sink

Flushed reveal - counter is flush with edge of sink (not recommended)

1/8" Negative reveal - counter extends 1/8" over edge of sink (most popular)



- **Install the drain (not included)** according to the drain's installation instructions. Make sure a watertight seal exists on all drain connections.

TROUBLESHOOTING TIPS - APRON FRONT

Issue	Reason	Solution
Finish is changing color or is shiny	Abrasive cleaners, soaps or other factors constantly in contact with finish.	Stop using abrasives and apply Glacier Ice sealer
There is a gap on the side	Sink wasn't installed level	Make sure your professional installer levels the sink with shims
Sink seems to be sagging from countertop	Proper sink supports were not used	2 x 4's need to be built into the cabinet and down to the floor