

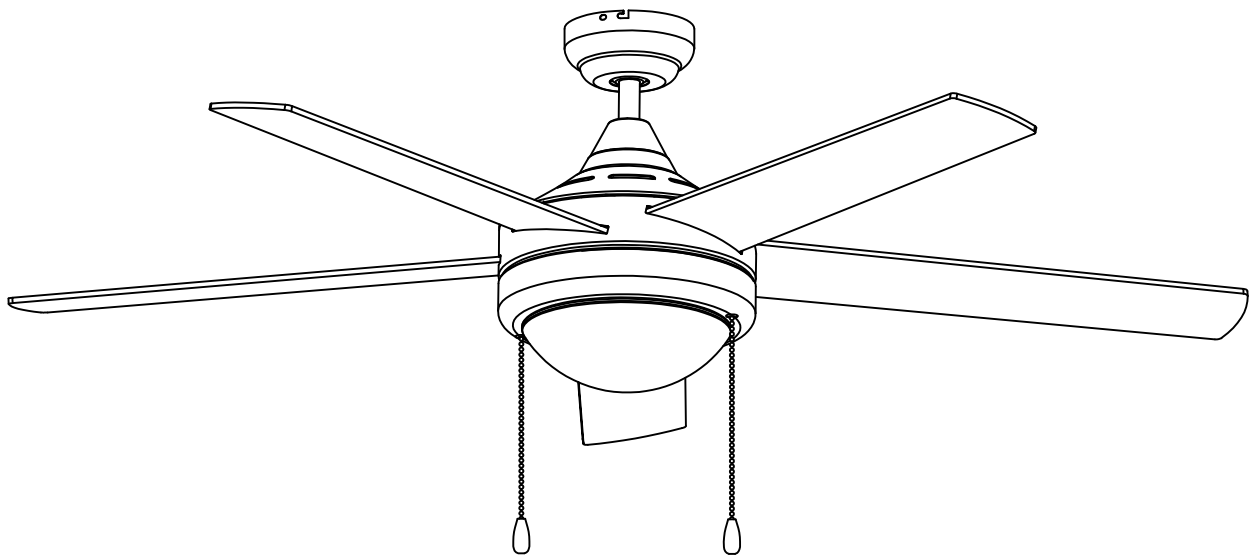
8928738

52" Five-Blade Dual Mount Ceiling Fan



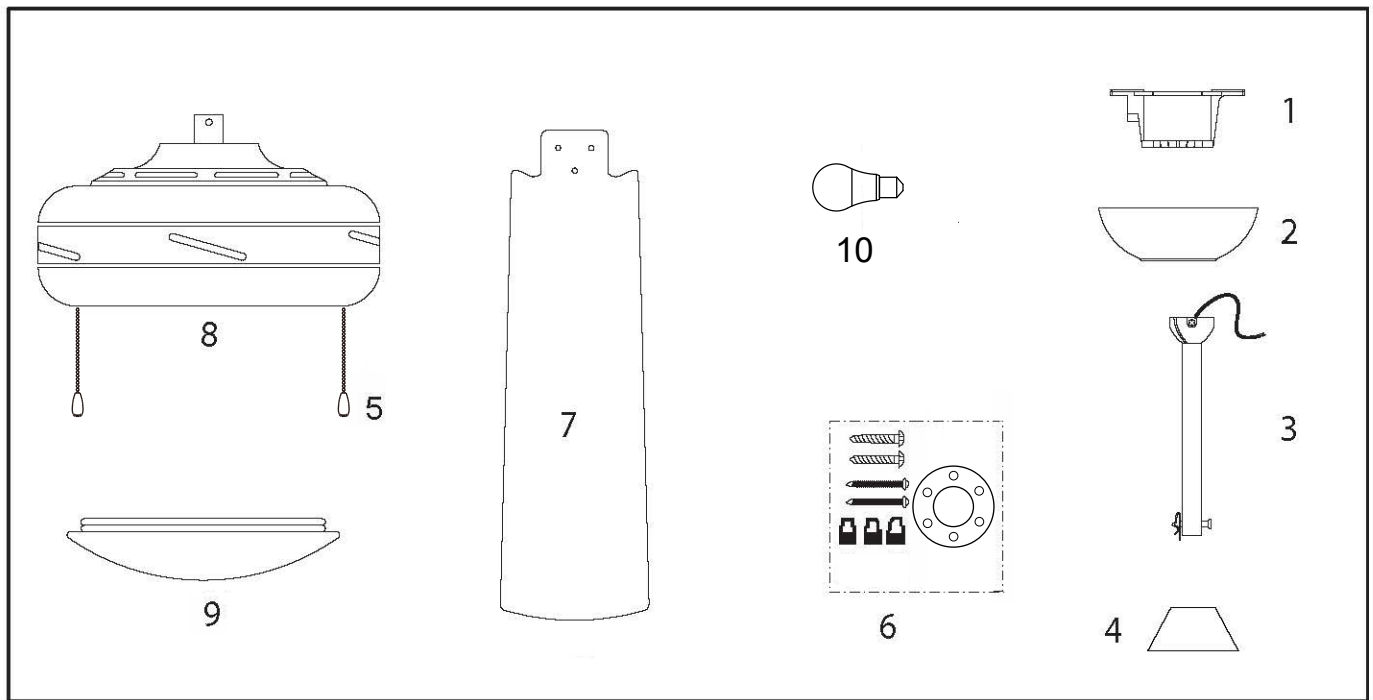
FF525BNSIL

INSTALLATION INSTRUCTIONS



READ AND SAVE THESE INSTRUCTIONS

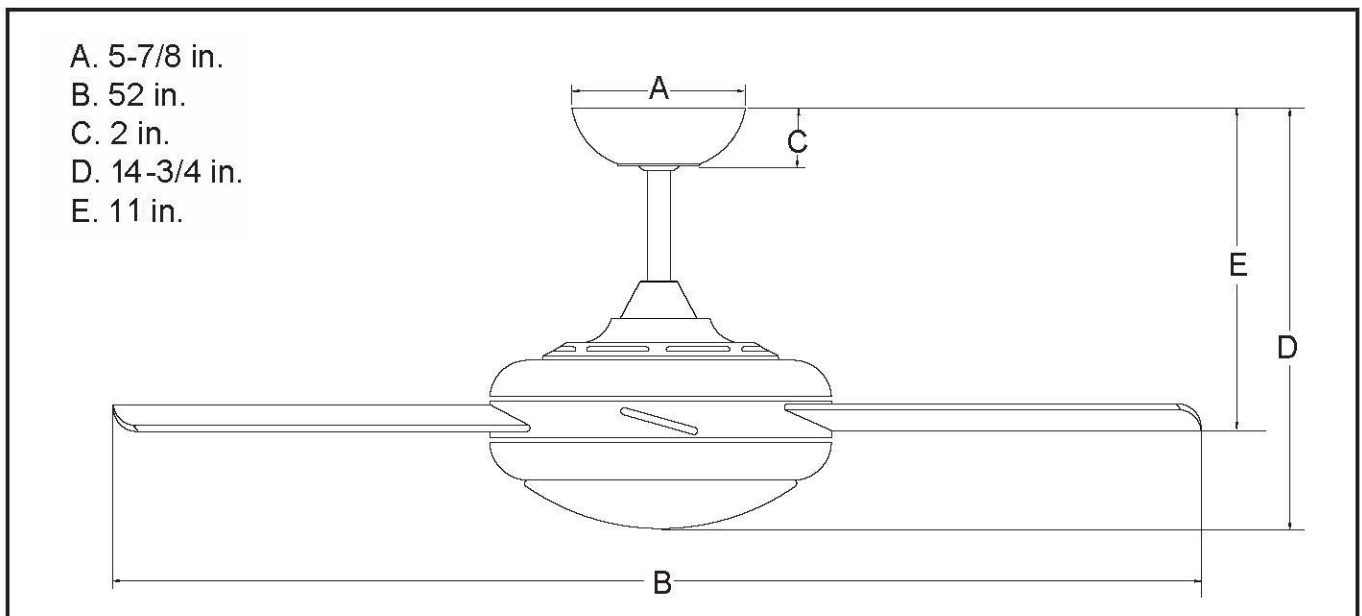
Package Contents:



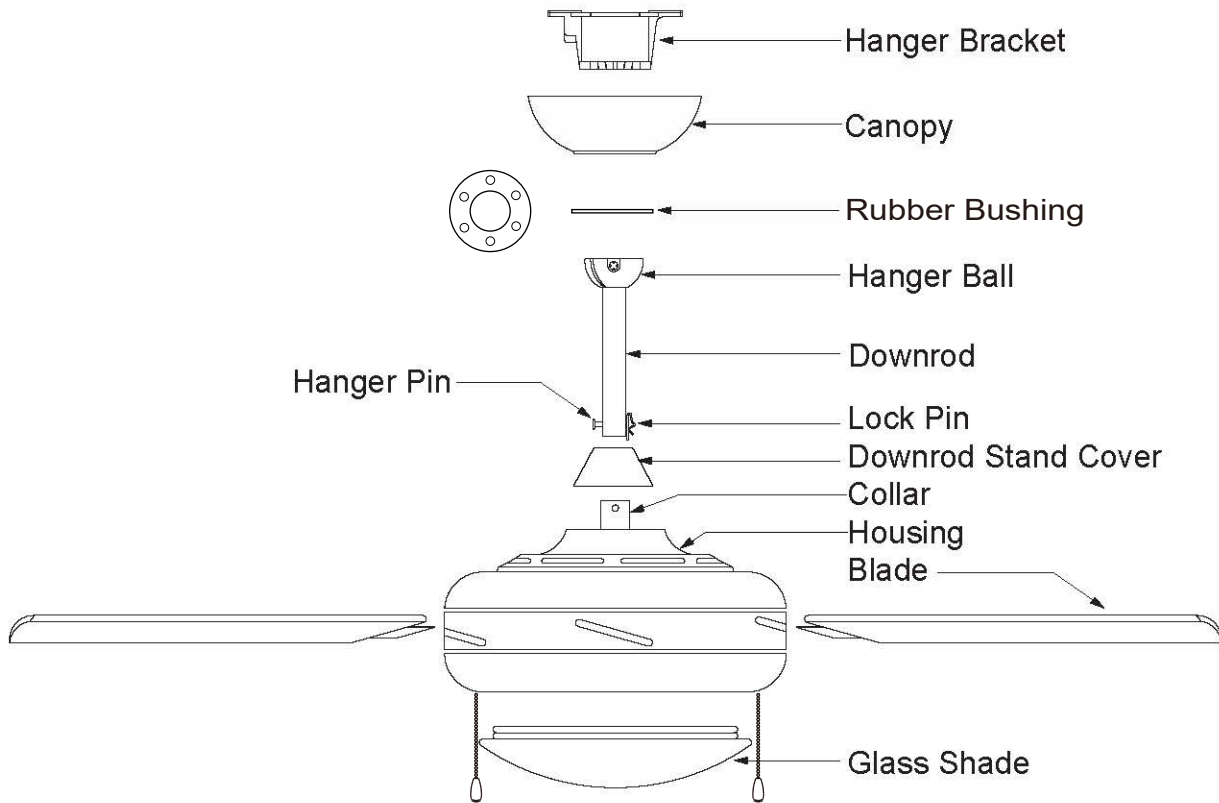
Unpack your fan and check the contents. You should have the following items.

- 1.) Hanger Bracket
- 2.) Canopy
- 3.) Downrod Set (Includes Hanger Ball, 4 in . Downrod, Hanger Pin & Lock Pin)
- 4.) Downrod Stand Cover
- 5.) Pull Chain
- 6.) Assembly Kit
- 7.) Fan Blade (5)
- 8.) Fan Motor Assembly
- 9.) Glass Shade
- 10.) LED bulb(2*E26 9.5W)

Dimension Reference



Standard Mounting Exploded View Detail



Safety Instructions

READ ALL SAFETY INFORMATION AND INSTALLATION INSTRUCTIONS BEFORE YOU BEGIN INSTALLING THE FAN. SAVE INSTRUCTIONS.

- All screws on the fan must be checked and re-tightened where necessary before installation.
- Before changing the fan direction, turn off the fan and wait for the fan blades to stop completely.
- If a stationary appliance is not provided with a supply cord and a plug, or with other means for disconnection from the main supply having a contact separation of at least 3 mm in all poles, then the means for disconnection must be incorporated in the fixed wiring in accordance with the wiring rules.
- NOTE: The safeguards provided by these safety instructions and by any separate installation instructions are not meant to cover all possible conditions and situations that may occur. It must be understood that common sense, caution and care are factors which can not be built into this product. These factors must be supplied by the person(s) installing, caring for and operating the fan.

WARNING

- TO AVOID RISK OF ELECTRIC SHOCK, BE SURE TO SHUT OFF POWER AT THE MAIN FUSE OR CIRCUIT BREAKER BOX BEFORE INSTALLING OR SERVICING THIS FIXTURE. TURNING OFF THE ELECTRICAL POWER BY USING THE LIGHT SWITCH IS NOT SUFFICIENT TO PREVENT ELECTRICAL SHOCK.
- TO REDUCE THE RISK OF INJURY, INSTALL THE FAN SO THAT THE BLADES ARE AT LEAST 7 FEET (2.1 METERS) ABOVE THE FLOOR AND AT LEAST 18 INCHES (0.5 METERS) FROM THE TIP OF THE BLADES TO THE WALL.
- TO REDUCE THE RISK OF FIRE, ELECTRIC SHOCK, OR PERSONAL INJURY, MOUNT TO AN OUTLET BOX MARKED "ACCEPTABLE FOR FAN SUPPORT" AND USE MOUNTING SCREWS PROVIDED WITH THE OUTLET BOX.
- THE INSTALLATION MUST BE IN ACCORDANCE WITH THE NATIONAL ELECTRICAL CODE, ANSI/NFPA 70-1999 AND LOCAL CODES. IF YOU ARE UNFAMILIAR WITH INSTALLING OR SERVICING ELECTRICAL WIRING, SEEK THE SERVICES OF A QUALIFIED LICENSED ELECTRICIAN.
- TO REDUCE THE RISK OF FIRE OR ELECTRIC SHOCK, DO NOT USE THIS FAN WITH ANY SOLID-STATE SPEED CONTROL DEVICE.
- TO REDUCE THE RISK OF FIRE, ELECTRIC SHOCK, OR PERSONAL INJURY, MOUNT TO OUTLET BOX MARKED ACCEPTABLE FOR FAN SUPPORT OF 15.9 KG (35 LBS) OR LESS AND USE MOUNTING SCREWS PROVIDED WITH THE OUTLET BOX
- TO REDUCE THE RISK OF PERSONAL INJURY, DO NOT BEND THE BLADE BRACKETS WHEN INSTALLING THE BRACKETS, BALANCING THE BLADES OR CLEANING FAN. DO NOT INSERT FOREIGN OBJECTS IN BETWEEN ROTATING FAN BLADES.

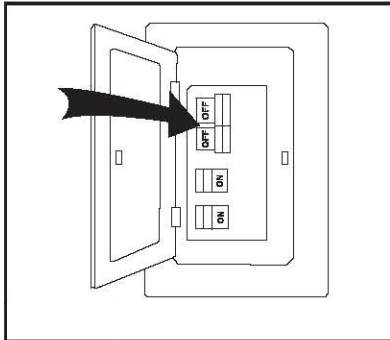
INSTALLATION INSTRUCTIONS

IMPORTANT:

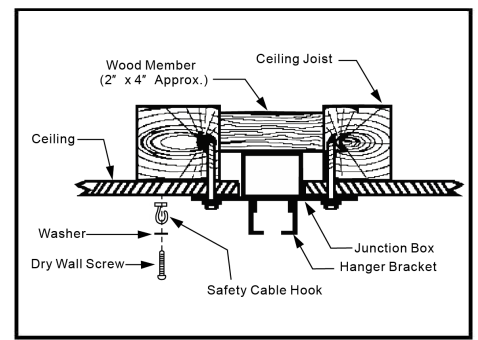
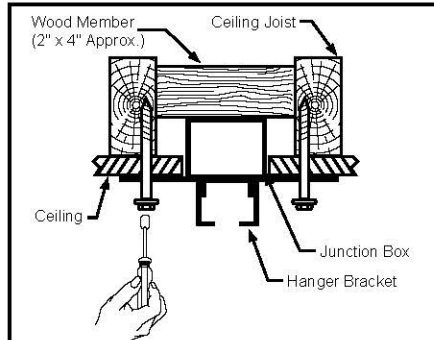
- BEFORE YOU BEGIN INSTALLING THE FAN, CAREFULLY READ ALL INFORMATION ON THE SEPARATE SHEET "SAFETY INSTRUCTIONS" AS WELL AS THE "INSTALLATION INSTRUCTIONS" ON THE FOLLOWING PAGES. IF IN DOUBT, CONSULT A QUALIFIED ELECTRICIAN.
- THIS FAN MUST BE INSTALLED WITH A WALL CONTROL/SWITCH.
- SAVE ALL INSTRUCTIONS.

NOTE: The fan weight is 20 lb (9 kg). Be sure the outlet box you are using is securely attached to the building structure and can support the full weight of the fan. Failure to do so can result in serious injury.

Installation Steps:

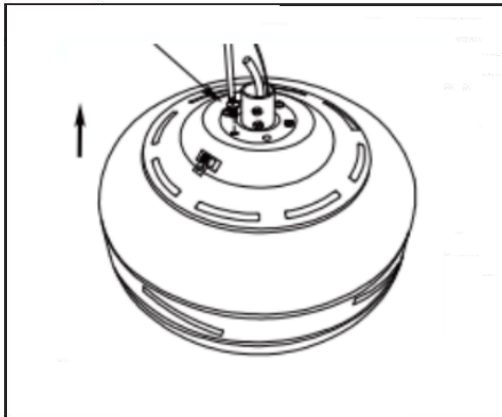


Turn OFF the electric power at the main fuse or circuit breaker box.

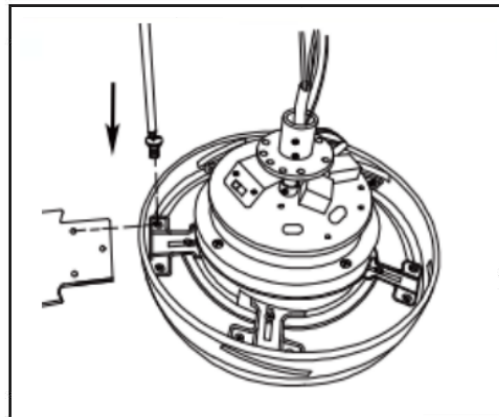


Tighten the hanger bracket to the outlet box with two mounting screws. (**Make sure the outlet box is securely installed so that it will be able to support at least the fan weight.**) Attach the safety cable hook to the ceiling with the dry wall screw and washer, and make sure the safety cable hook is covered by the fan canopy.

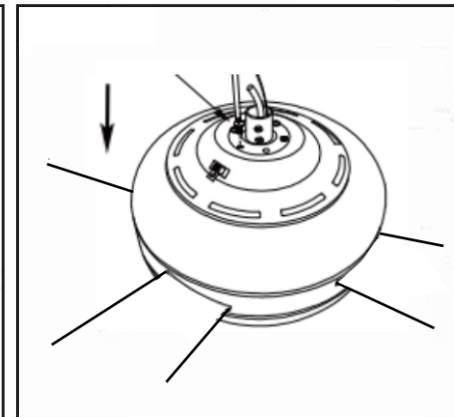
WARNING: MOUNT ONLY TO AN OUTLET BOX MARKED "ACCEPTABLE FOR FAN SUPPORT"!



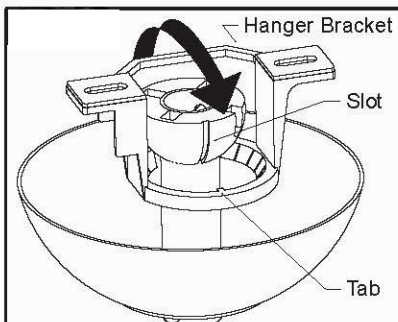
Loosen the screws and take the upper housing away.



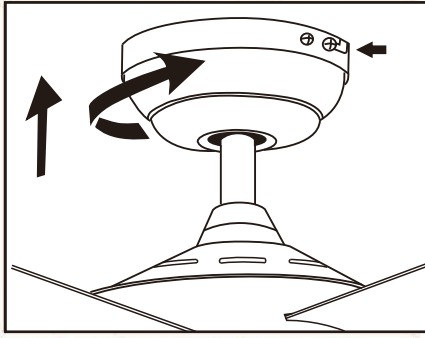
Tighten the blade screw with rubber washer ensure the blades assembly into blade housing.



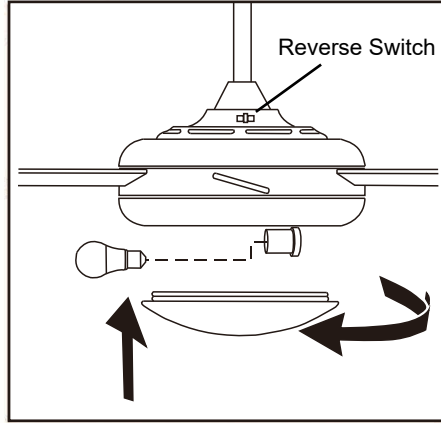
Put back the upper housing.



Hang the fan on Hanger Bracket, and make sure the slot of Hanger Ball is snapped into the chip of Hanger Bracket exactly.



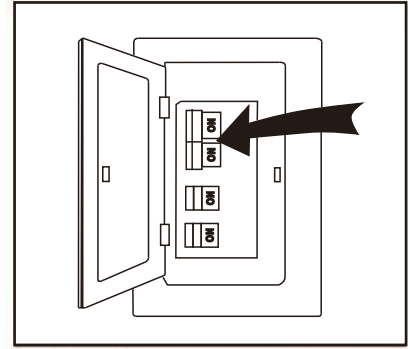
Tuck the Antenna into the Canopy. Push the Canopy upwards, lining up the keyholes on the bottom with the screws on the Hanger Bracket. Twist the Canopy to lock it in place, then tighten the screws to secure it.



1. Install the bulb (included) to the sockets.
2. Twist the glass shade to light panel in clockwise direction until glass shade is locked in place.

Note: Please ensure the glass shade is twisted in a right direction and locked in place.

CAUTION: To Reduce The Risk Of Electric Shock, Disconnect The Electrical Supply Circuit To The Fan Before Installing Light Kit.



Turn ON the electric power at the main fuse or circuit breaker box.

OPERATION

Turn fan completely off before moving the reverse switch. Set reverse switch to recirculate air depending on the season:

-LEFT position in summer (diagram 2)

-RIGHT position in winter (diagram 3)

A ceiling fan will allow you to raise your thermostat setting in summer and lower your thermostat setting in winter without feeling a difference in your comfort. Important: Reverse RIGHT for fan to function. If the reverse switch is set in the middle position (diagram 4), fan will not operate.

Attach pull chain extensions supplied or custom pull chain extensions (sold separately) to ends of the pull chains.

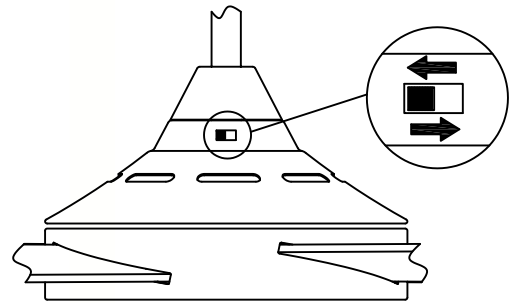


diagram 1

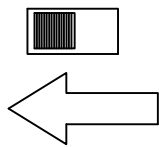


diagram 2

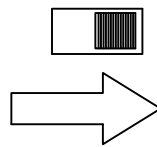


diagram 3

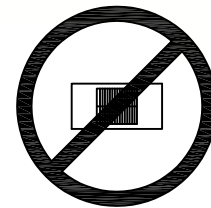
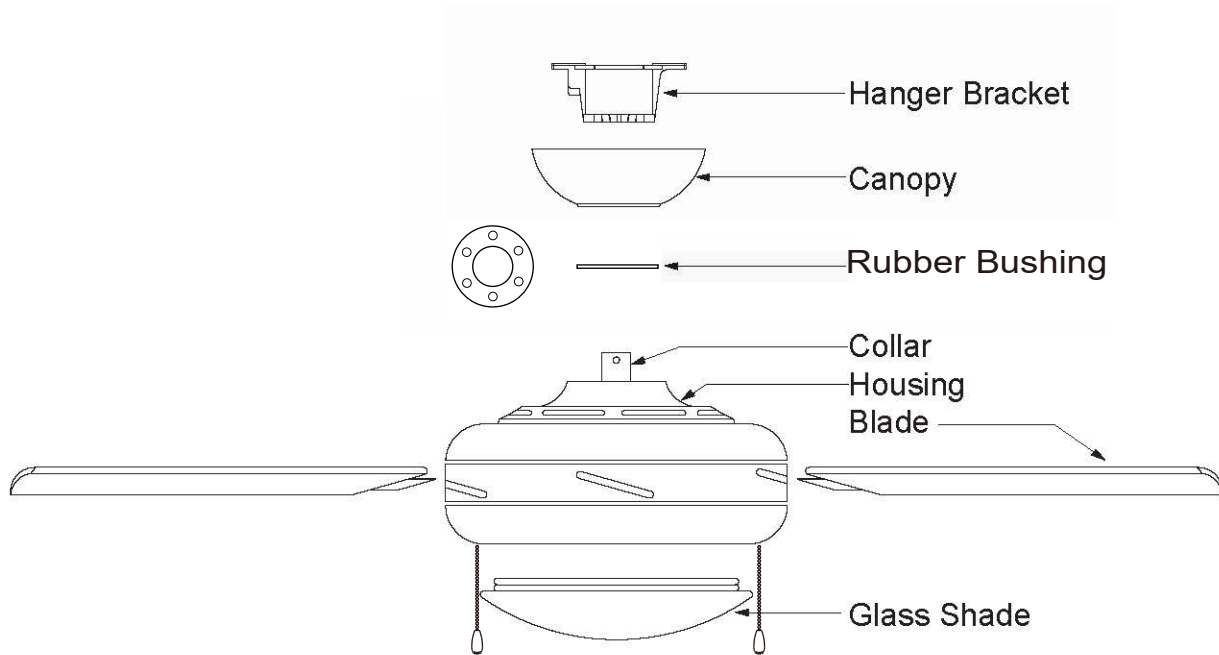


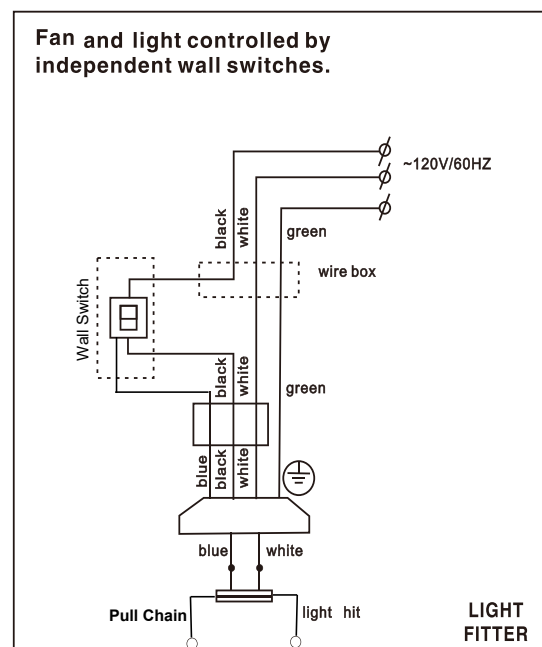
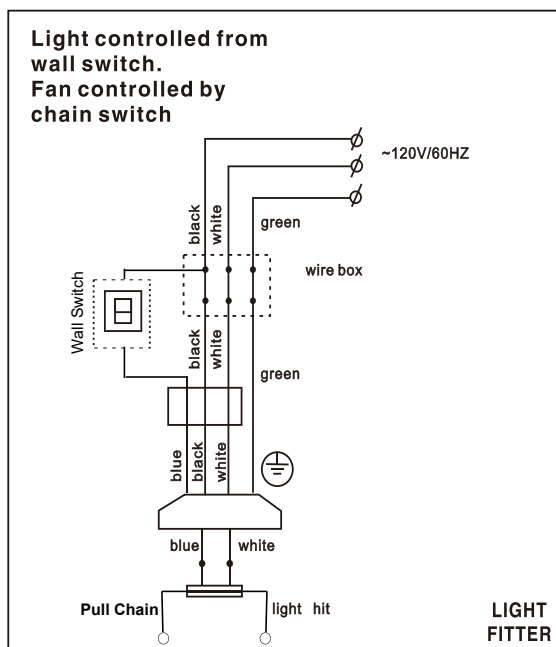
diagram 4

Hugger Mounting Exploded View Detail



ELECTRICAL CONNECTIONS

- Four wires are connected to the top of the fan.
 - Black: "Hot" Power for the fan.
 - Blue: "Hot" Power for the Light
 - White: "Common" For the fan and light
 - Green: Ground Wire
- If fan and light are to be connected to the same circuit, the black and blue wires should be connected together to the black wire in the ceiling using a wire nut to make the connection. If a light kit is not being installed, the blue wire should be left unconnected.
- The white wire from the fan should be connected to the white wire in the ceiling, using a wire nut to make the connection.
- The green wire from the fan should be connected to the ground wire in the ceiling, using a wire nut to make the connection.
- Tuck your completed wiring back up into the electrical box.



WARNING: To avoid possible electrical shock, be sure electricity is turned off at the main fuse box before wiring.

NOTE: If you are not sure the electrical box and fan are grounded, contact a licensed Electrician for advice. They must be grounded for safe operation.

WARNING: Each wire nut (wire connector) supplied with this fan is designed to accept up to one 12 gauge house wire and two wire from the fan. If you have larger than 12 gauge house wiring or more than one house wire to connect to the fan wiring, consult an Electrician for the proper size wire nut to use.

WARNING: Check to see that all connections are tight, and that no bare wire is visible at the wire nuts.

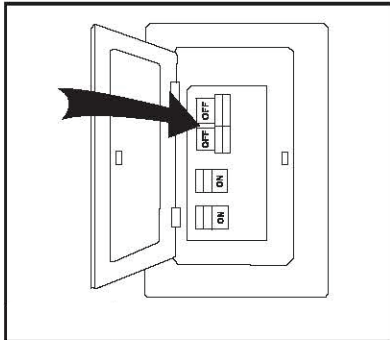
INSTALLATION INSTRUCTIONS

IMPORTANT:

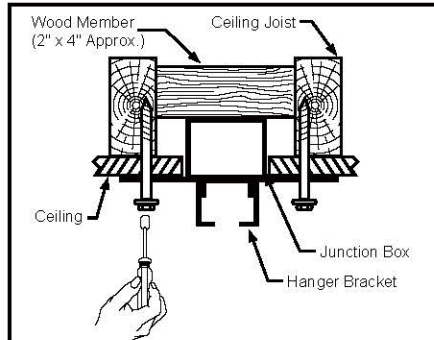
- BEFORE YOU BEGIN INSTALLING THE FAN, CAREFULLY READ ALL INFORMATION ON THE SEPARATE SHEET "SAFETY INSTRUCTIONS" AS WELL AS THE "INSTALLATION INSTRUCTIONS" ON THE FOLLOWING PAGES. IF IN DOUBT, CONSULT A QUALIFIED ELECTRICIAN.
- THIS FAN MUST BE INSTALLED WITH A WALL CONTROL/SWITCH.
- SAVE ALL INSTRUCTIONS.

NOTE: The fan weight is 20 lb (9 kg). Be sure the outlet box you are using is securely attached to the building structure and can support the full weight of the fan. Failure to do so can result in serious injury.

Installation Steps:

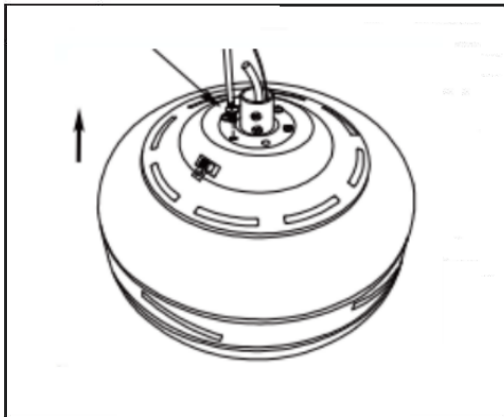


Turn OFF the electric power at the main fuse or circuit breaker box.

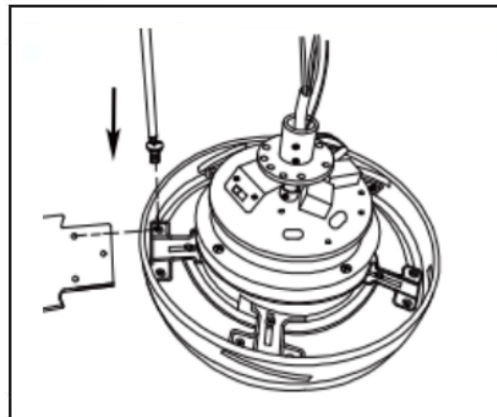


Tighten the hanger bracket to the outlet box with two mounting screws. (**Make sure the outlet box is securely installed so that it will be able to support at least the fan weight.**) Attach the safety cable hook to the ceiling with the dry wall screw and washer, and make sure the safety cable hook is covered by the fan canopy.

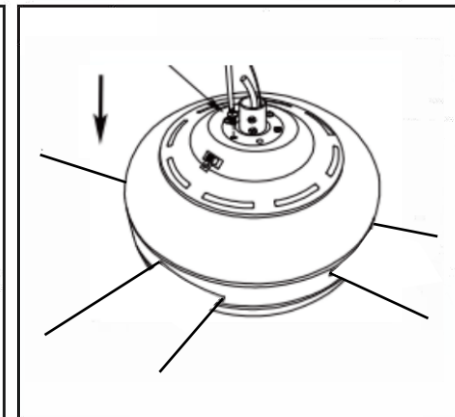
WARNING: MOUNT ONLY TO AN OUTLET BOX MARKED "ACCEPTABLE FOR FAN SUPPORT"!



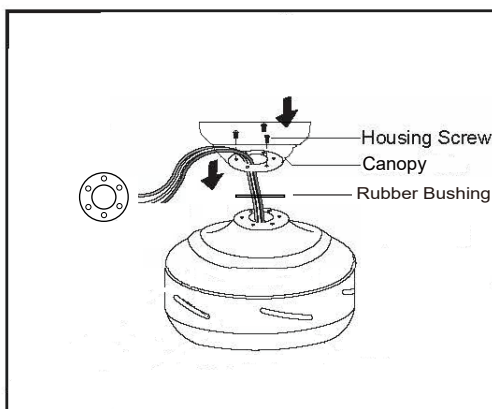
Loosen the screws and take the upper housing away.



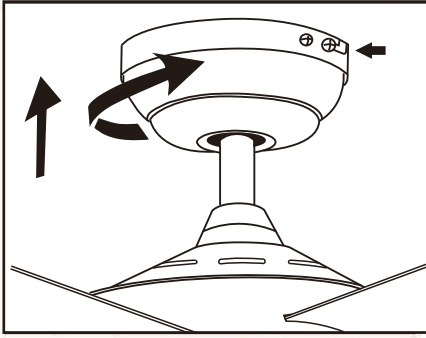
Tighten the blade screw with rubber washer ensure the blades assembly into blade housing.



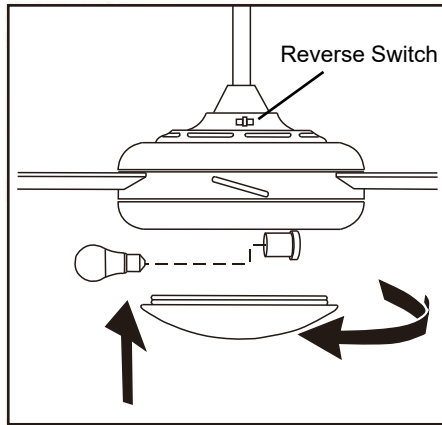
Put back the upper housing.



Install canopy into motor with screws.



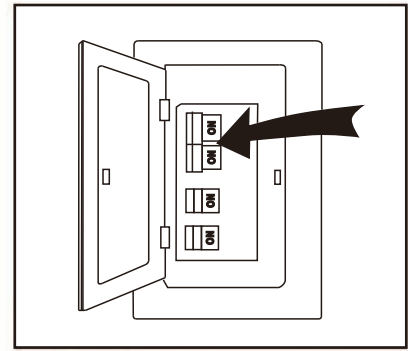
Tuck the Antenna into the Canopy. Push the Canopy upwards, lining up the keyholes on the bottom with the screws on the Hanger Bracket. Twist the Canopy to lock it in place, then tighten the screws to secure it.



1. Install the bulb (included) to the sockets.
2. Twist the glass shade to light panel in clockwise direction until glass shade is locked in place.

Note: Please ensure the glass shade twisted in a right direction and locked in place.

CAUTION: To Reduce The Risk Of Electric Shock, Disconnect The Electrical Supply Circuit To The Fan Before Installing Light Kit.



Turn ON the electric power at the main fuse or circuit breaker box.

OPERATION

Turn fan completely off before moving the reverse switch. Set reverse switch to recirculate air depending on the season:

-LEFT position in summer (diagram 2)

-RIGHT position in winter (diagram 3)

A ceiling fan will allow you to raise your thermostat setting in summer and lower your thermostat setting in winter without feeling a difference in your comfort. Important: Reverse RIGHT for fan to function. If the reverse switch is set in the middle position (diagram 4), fan will not operate.

Attach pull chain extensions supplied or custom pull chain extensions (sold separately) to ends of the pull chains.

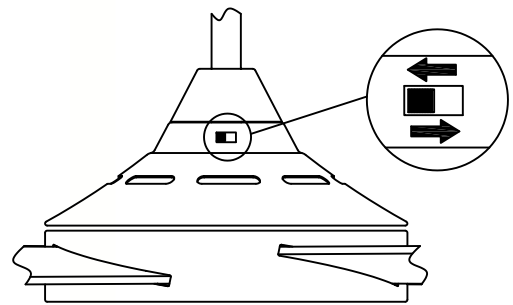


diagram 1

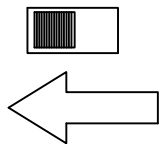


diagram 2

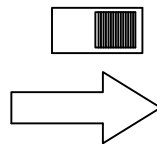


diagram 3

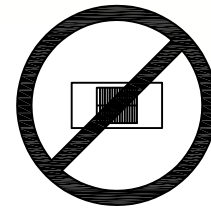


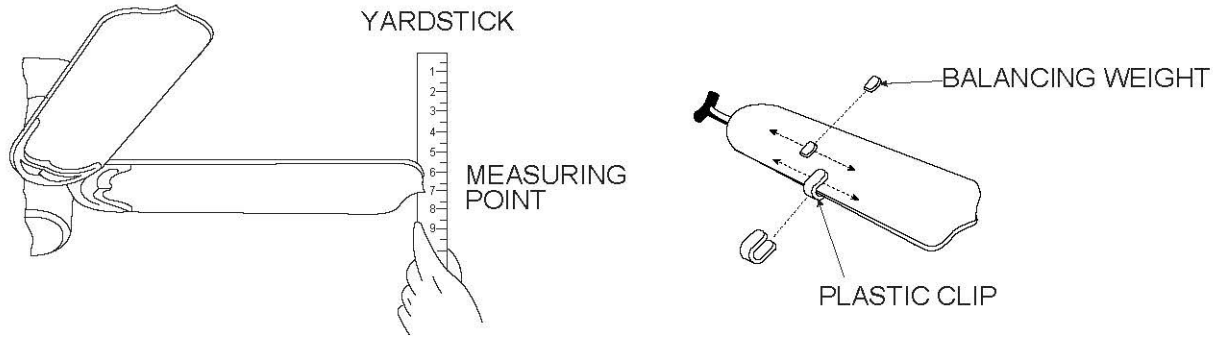
diagram 4

Trouble Shooting Guide

If you have difficulty operating your new ceiling fan, it may be the result of incorrect assembly, installation or wiring. In some cases, these installation errors may be mistaken for defects. If you experience any faults, please check this Trouble Shooting Guide. If a problem cannot be remedied or you are experiencing difficulty in installation, please call our Customer Service Department.

PROBLEM	SUGGESTED REMEDY
1. If fan does not start:	<ol style="list-style-type: none">1. Check main and branch circuit fuses or circuit breakers.2. Check line wire connections to fan and switch wire connections in switch housing. CAUTION: Make sure main power is turned off.3. Make sure forward/reverse switch is firmly in up or down position. Fan will not operate when switch is in the middle.4. Make sure that the wall controller is turned "ON".
2. If fan sounds noisy:	<ol style="list-style-type: none">1. Make sure all screws in motor housing are snug. (not over tightened)2. Make sure the screws which attach the fan blade holder to the motor are tight.3. Make sure wire nut connectors in switch housing are not rattling against each other or against the interior wall of the switch housing. CAUTION: Make sure main power is turned off before entering switch housing.4. If using an optional ceiling fan light kit, check to be sure the screws securing the glassware are finger tight. Check to be sure light bulb is tight in socket and not touching glass shade(s). If vibration persists from glass, remove glass and install a 1/4 in. wide rubber band on glass neck to act as an insulator. Replace glass and tighten screws against rubber band.5. Some fan motors are sensitive to signals from Solid State variable speed controls. DO NOT USE a Solid State variable speed control.6. Allow "break-in" period of 24 hours. Most noises associated with a new fan will disappear after this period.
3. If fan wobbles:	<p>All blades are weighed and grouped by weight. Natural woods vary in density which could cause the fan to wobble even though all blades are weight-matched. The following procedures should eliminate most of the wobble. Check for wobble after each step.</p> <ol style="list-style-type: none">1. Check that all blades are screwed firmly into blade holders.2. Check that all blade holders are tightened securely to motor.3. Make sure that canopy and mounting bracket are tightened securely to ceiling junction box and junction box is mounted firmly to ceiling joist.4. Most fan wobble problems are caused when blade levels are unequal. Check this level by selecting a point on the ceiling above the tip of one of the blades. Keeping measure within 1/8 in. rotate the fan until the next blade is positioned for measurement. repeat for each blade. If all blade levels are not equal, you can adjust blade levels by the following procedure. To adjust a blade tip down, insert a washer (not supplied) between the blade and blade holder at the screw closest to the motor. To adjust a blade tip up, insert washer (not supplied) between the blade and blade holder at the two screws farthest from the motor.5. If blade wobble is still noticeable, interchanging two adjacent (side by side) blades can redistribute the weight and possibly result in smoother operation.
4. If light does not work:	<ol style="list-style-type: none">1. Check blue wire from fan to make sure it is connected to hot wire from house.2. Check for loose or disconnected wires in fan switch housing.3. Check for loose or disconnected wires in light kit.4. Check for faulty light bulbs. CAUTION: Make sure main power is turned off before entering switch housing.5. If the fan light shuts off shortly after being switched on, it may be due to excessive current demand. Turn off power to the fan and replace the light bulbs with lower wattage bulbs. Turn on power to the fan, using the pull chain, wall switch, or remote control (whichever is installed on the particular fan).

DYNAMIC BLADE BALANCING KIT



PREFACE

Your ceiling fan may sometimes have wobbling problems when operating due to irregularity in the blades or the blade holders. Also, improper assembly in the mounting system or crooked bearings may cause some additional problems. This balancing kit can be used to fix wobbling problems.

DYNAMIC BLADE BALANCING KIT FOR CEILING FANS

1. Make certain that all blades are firmly screwed into the blade holder.
2. Make sure that all blade holders are firmly secured to the motor housing and check that the pitch of blade holders are all the same.
3. By looking up at the fan from below, check and be certain that none of the blade holders are bent and that none of the blades are out of position. A correction can be made by very gently bending the blade holder back into position.
4. Use a yardstick to check the blade tracking. Put the yardstick up against the ceiling vertically and against the outside leading edge of a blade. Note the distance of the edge of blade to the ceiling. Carefully turn the blades slowly by hand to check the remaining blades. If the blade is not in alignment, the blade holder may be gently bent up or down to be in line with the other blades.

After following all the steps and if the wobbling problem is not solved, a dynamic balancing needs to be done by balancing kit. Follow the procedure listed below:

- Turn the fan on and adjust the speed control (usually high speed) setting to the speed which creates the greatest wobble.
- Turn the fan off. Select one blade and place the balance clip on it, halfway between the blade holder and the blade tip on the rear edge of the blade.
- Turn the fan on. Watch to see if the wobble is improved or worsened. Turn the fan off again and move the clip to another blade and test again. Repeat this process with all blades and then note the blade which is the most improved.
- Move the clip back to the blade which showed the most improvement. Move the clip inward and outward on this blade and operate the fan to find the position where the clip gives the most improvement.
- Next remove the clip and install a balancing weight to the top of the blade along the centerline near the point where the clip was positioned. Use a sharp knife or razor to separate the weights.

Caution: Stay clear of the blades. If the clip, for any reason, is not secure, injury could result .