

10075653

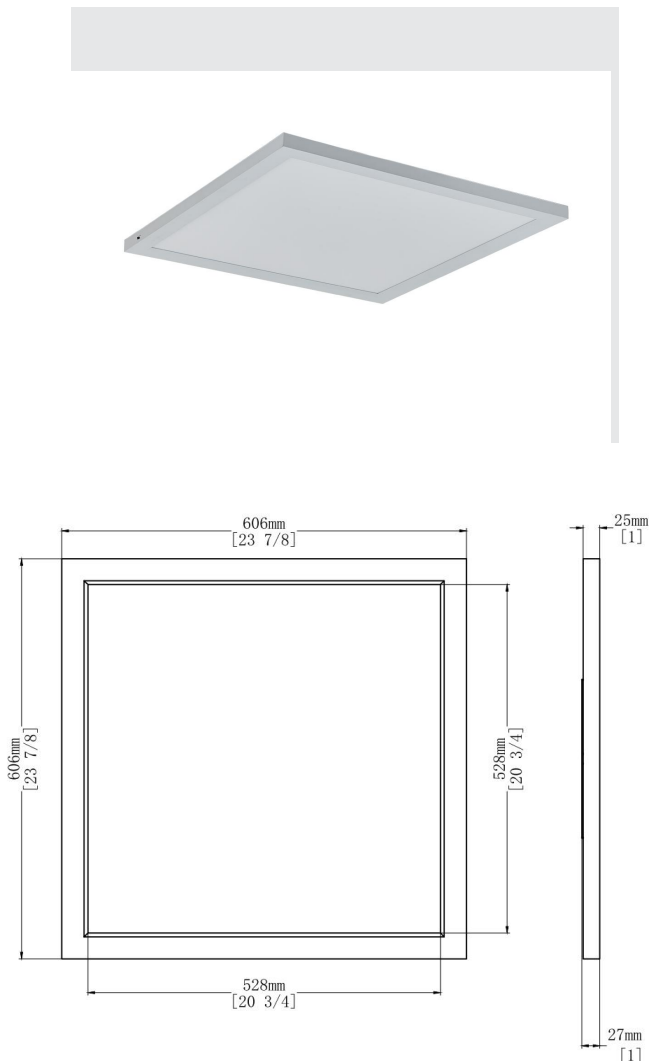
FLCL2X2FMW

LED PANEL LIGHT



PRODUCT SPECIFICATIONS

FEATURES	LED PANEL LIGHT
Part Number	FLCL2X2FMW
Finish	Matte White
Shade/Glass Type	Aluminum + Acrylic
Kelvin Temp (CCT)	3000/4000/5000K
Product Dimensions	23-7/8"L x 23-7/8"W x 1"H
Extension	N/A
Product Weight	9.57 lb
Bulb Type	Integrated LED Module
Bulb Base	n/a
Bulb Included	Yes
LED Type	SMD 4014
CRI	90
Lumens	4000 lm
Efficacy	85 lm/W
Wattage	47W
Equivalent Wattage	Incandescent - 3008W
Voltage	120V
Average hour life	50,000 hrs
Min/Max Ambient Temp	-20°C ~ 50°C
Product Material	Aluminum + PS
Location Listing	Damp
Certifications	ETL, Energy star, Title24, FCC



FLCL2X2FMW

- LED Panel Light
- 5 Year Warranty
- Uses Integrated 47W LED
- Suitable for Damp Location



SPECIFICATION:

Light Fixture shall be 10075653/FLCL2X2FMW, LED PANEL LIGHT