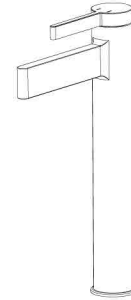


NO.	Description
1	Body
2	Base
3	Hot and cold indicator
4	Filter
5	Ceramic cartridge
6	Nut
7	Cover
8	Screw
9	Pipe
10	Lock nut
11	Rubber washer
12	Metal washer
13	Gasket
14	O-ring
15	Hot & cold hose
16	Black cap
17	O-ring
18	Handle



Single Handle Basin Faucet

product is CUPC, NSF/ ANSI 61, LEAD FREE and ADA certified.
ASME A112.18.1/CSA B125.1

RECOMMENDED TOOLS



Adjustable Wrench



Channel Locks



Goggles



Teflon tape



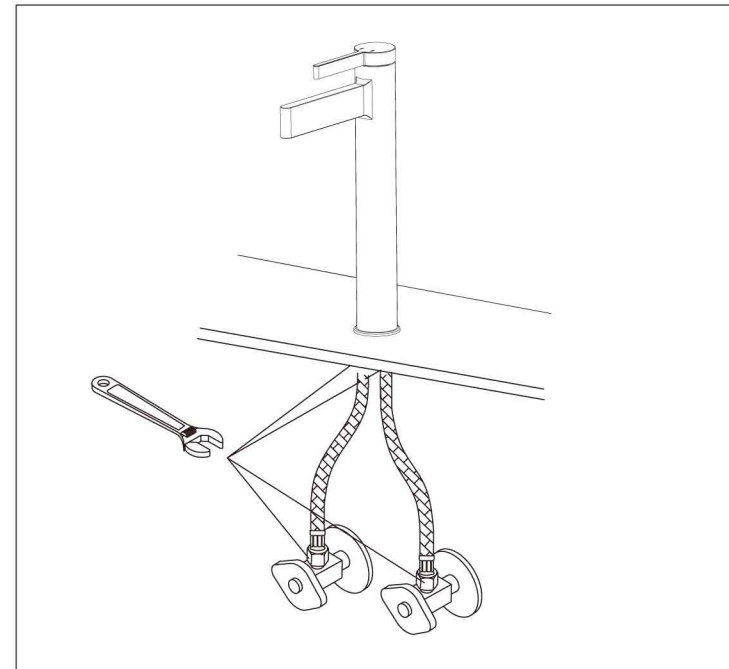
Allen key

! WARNING:
Please keep the tool for future use!

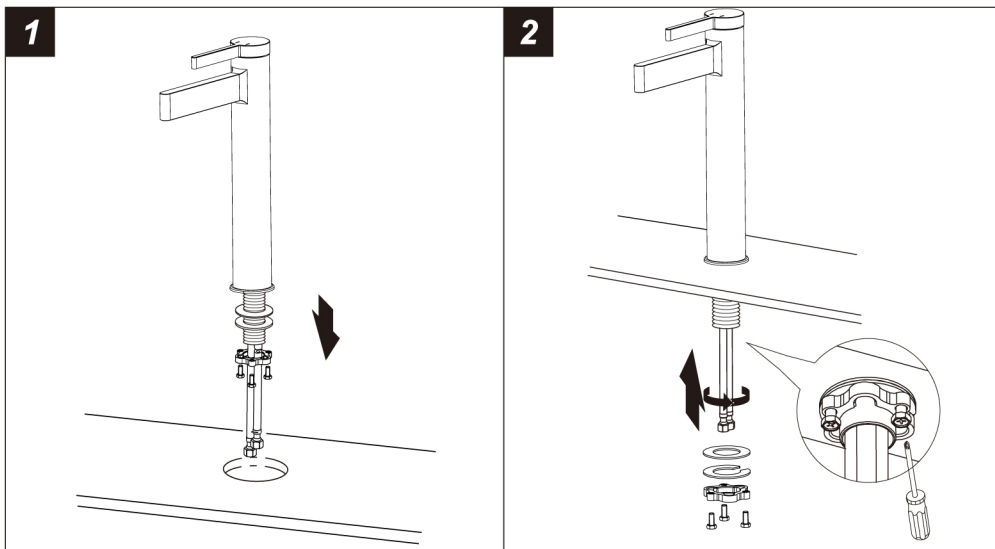


Attention:
for easy installation, you will need:
1. To read all the installation instruction completely before beginning.
2. To read all the warning, attention and maintenance information.
3. To purchase the proper supply lines.

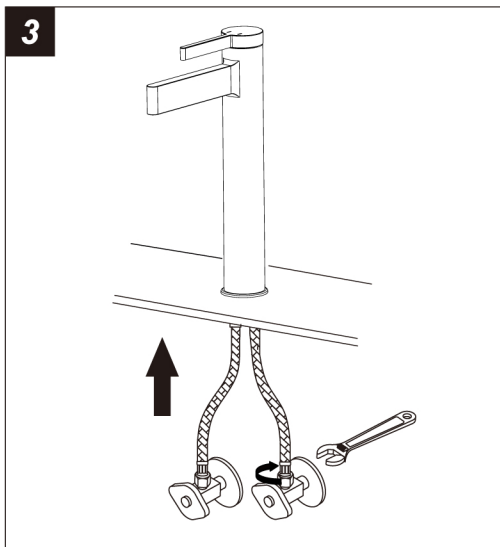
The tools might be applied to the following places:



Step 1 Faucet installation



1. Unscrew the pre-assembled washers & lock nut and screw.
2. Screw rubber washer, metal washer onto the pipe under sink and screw with lock nut and screw.



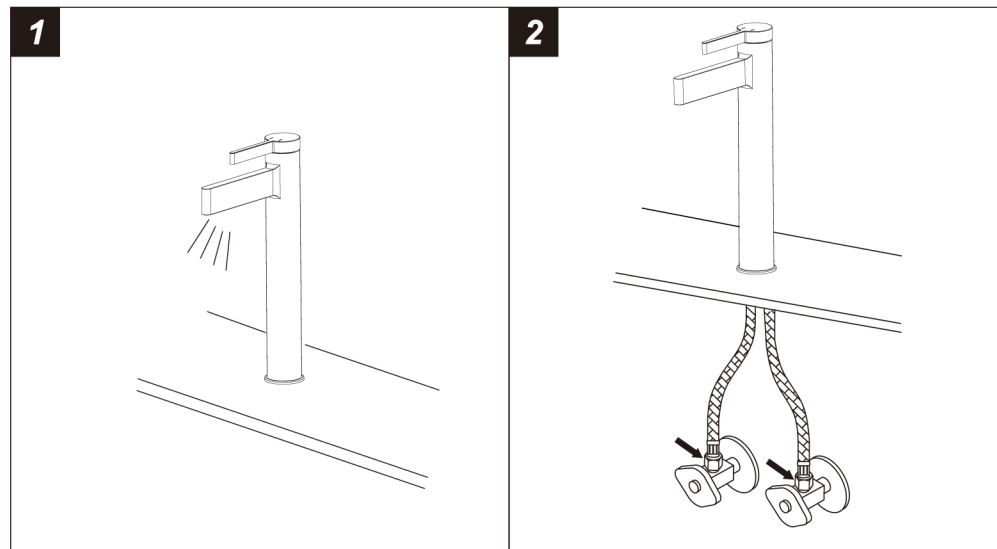
3. Connect the flexible hoses to water supply valve (not included) and copper tubes, and tighten it with adjustable wrench. **DON'T OVER TIGHTEN!**

Caution: make sure connect the hot and cold flexible hose to supply valves correctly.



Warning: The supply valves are not included, please purchase them in plumbshop.

Step 2 Checking and testing



1. Turn the faucet handle all the way on, turn on hot and cold water supply and flush water lines for one minute.
2. Check all connections at arrows for leaks, re-tighten it if necessary.



BUT DON'T OVERTIGHTEN

Step 3 Cleaning and care

Daily cleaning and care are required in order to keep the product shining and properly working.

1. Clean it with water and dry it with soft cloth.
2. Clean the product with gentle liquid or glass cleaner.
3. Don't use acid cleaner.
4. Don't clean with abrasive material, abrasive paper or knife.