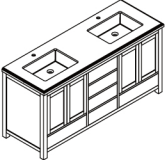



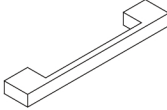
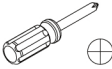
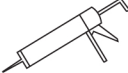




Model: Wilson - 60"

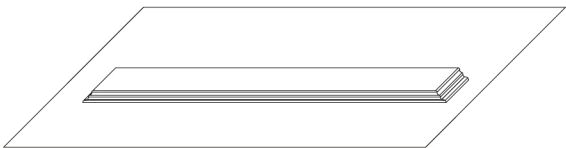
Installation Instructions

Notes: We recommend that you rough-in the drain and water lines after receiving the unit.
The vanity should be installed by a professional plumber.
Drainer pipe and trap are not included.

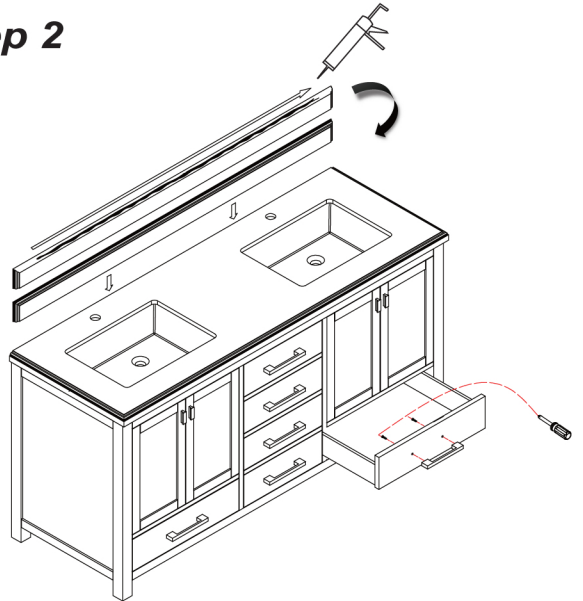
	A (cabinet)	B (backsplash)	C (screw)	D (handle)	D (handle)
Part List					
	x1	x1	x20	x4	x6
Tools required					
	screwdriver(phillips)	silicone	level	tape measure	

Step 1

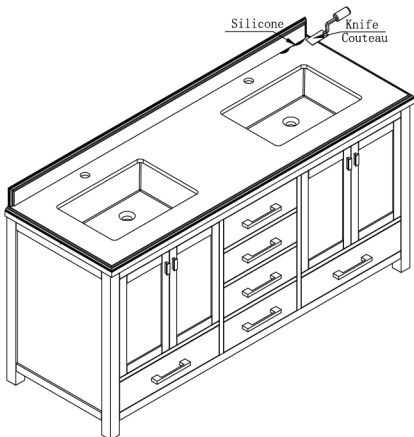
CAUTION
Handle the backsplash with extreme care!
Stone backsplash are very fragile.
Always handle gently and place them flat on a soft surface.



Step 2



Step 3



Step 4

