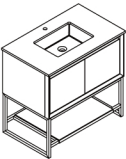
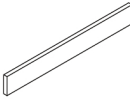


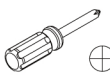
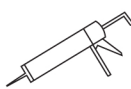
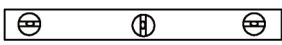



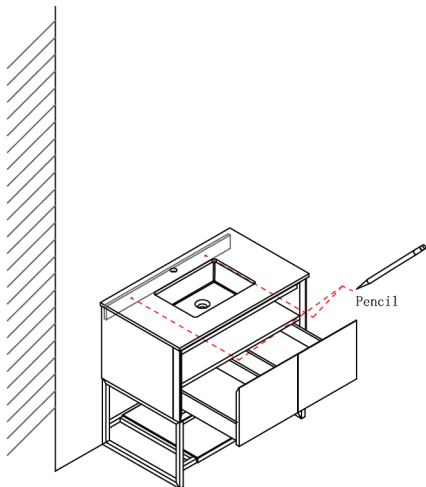
# Model: Alto - 36"

## Installation Instructions

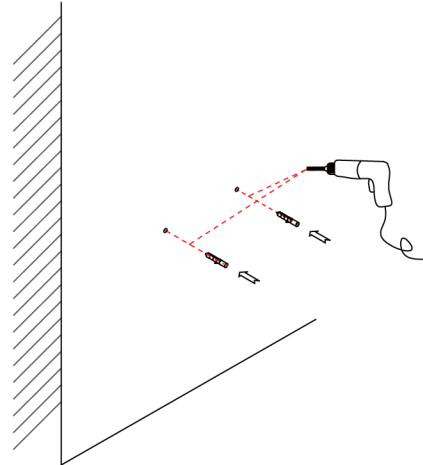
**Notes:** We recommend that you rough-in the drain and water lines after receiving the unit.  
The vanity should be installed by a professional plumber.  
Drainer pipe and trap are not included.

	A (cabinet)	B (backsplash)	C (Screw)	D (Expansion plastic)
Part List	 x1	 x1	 x2	 x2
Tools required	 screwdriver(phillips)	 silicone	 level	 tape measure

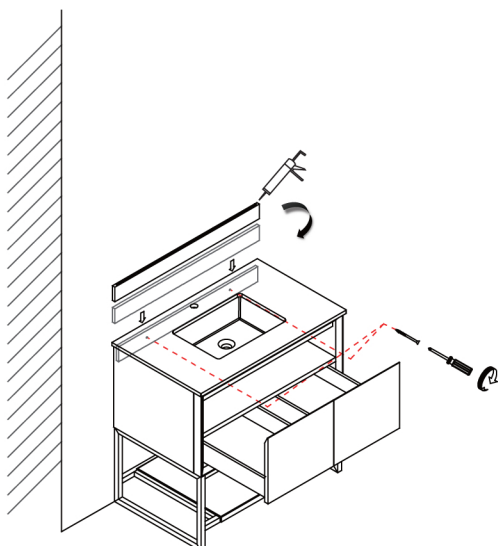
### Step 1



### Step 2



### Step 3



### Step 4

