
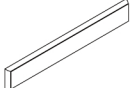

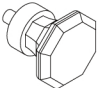
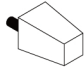
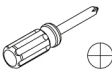
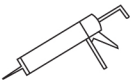




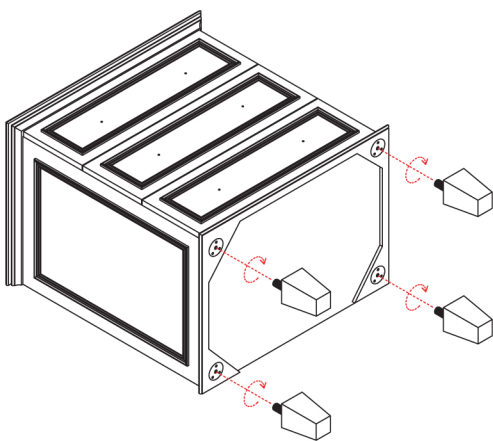
Model: Luna - 30"

Installation Instructions

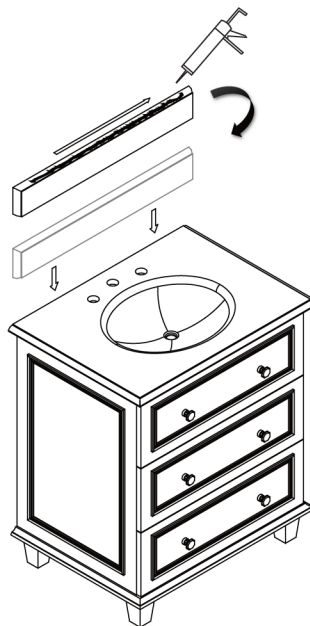
Notes: We recommend that you rough-in the drain and water lines after receiving the unit.
The vanity should be installed by a professional plumber.
Drainer pipe and trap are not included.

	A (Cabinet)	B (Backsplash)	C (Screw)	D (Handle)	E (Foot)
Part List	 x1	 x1	 x6	 x6	 x4
Tools required	 screwdriver(phillips)	 silicone	 level	 tape measure	

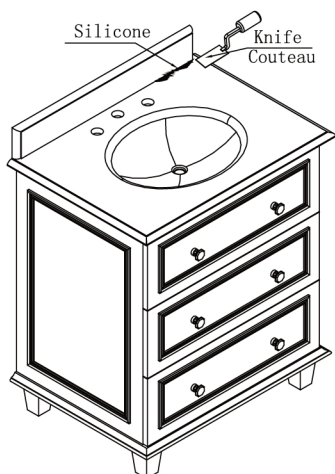
Step 1



Step 2



Step 3



Step 4

