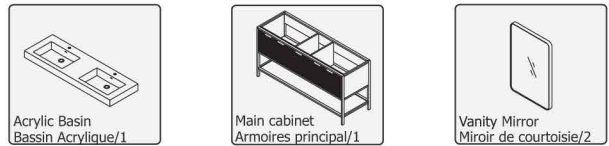


**\*INSTALLING VANITY WITH TWO PEOPLE IS HIGHLY RECOMMENDED\***  
**\*L'INSTALLATION DE LA VANITÉ AVEC DEUX PERSONNES EST FORTEMENT RECOMMANDÉE\***

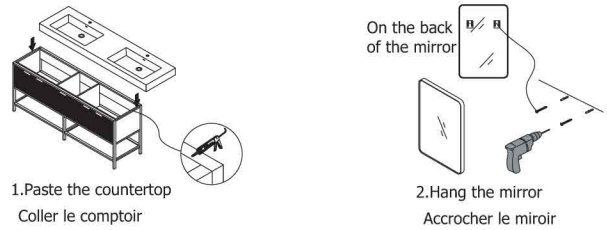
Box Contents/Contenu de la boîte

- Acrylic Basin/Countertop  
Bassin/comptoir en acrylique
- Vanity Base/Cabinet  
Base de vanité/Cabinet
- Vanity Mirror/The aluminum frame mirror  
Miroir de courtoisie/Miroir avec cadre en aluminium

Main Body Parts/La partie principale du corps



Main Cabinet Installation Instructions/Instructions d'installation de l'armoire principale



Installation Tips/Conseils d'installation

- Add silicone to attach frame/  
Ajouter du silicone pour fixer le cadre
- Secure the countertop to the main cabinet/  
Fixez le comptoir à l'armoire principale

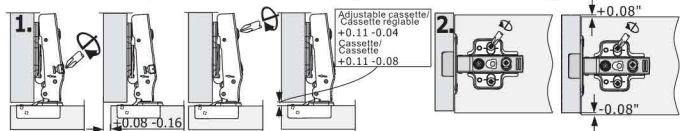
Installation tool/Outil d'installation



Recommended tools/Outils recommandés

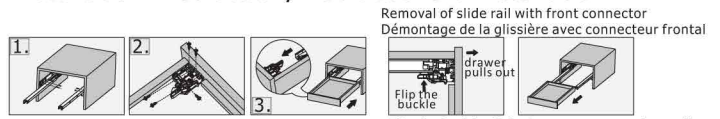
- Tape measure/  
mètre à ruban
- Pencil/  
Crayon
- Screwdriver (Manual/Mechanical)/  
Tournevis (manuel/mécanique)
- Level/Niveau
- Calking & Calking Gun/  
Pistolet à calfeutrer et à calfeutrer

Installation, Removal and Adjustment of Hinges on Vanity



1. Adjusting screws on the hinge arm can adjust the front and rear of the door panel
  2. Loosen the screw to adjust the door panel vertically  $\pm 0.08$ , the mounting plate can slide up and down, and tighten the screw after adjustment
1. Les vis de réglage sur le bras de charnière peuvent ajuster l'avant et l'arrière du panneau de porte
2. Desserrez la vis pour régler le panneau de porte verticalement  $\pm 0,08$ , la plaque de montage peut glisser de haut en bas, puis serrez la vis après le réglage

Installation Instruction/Instructions d'installation



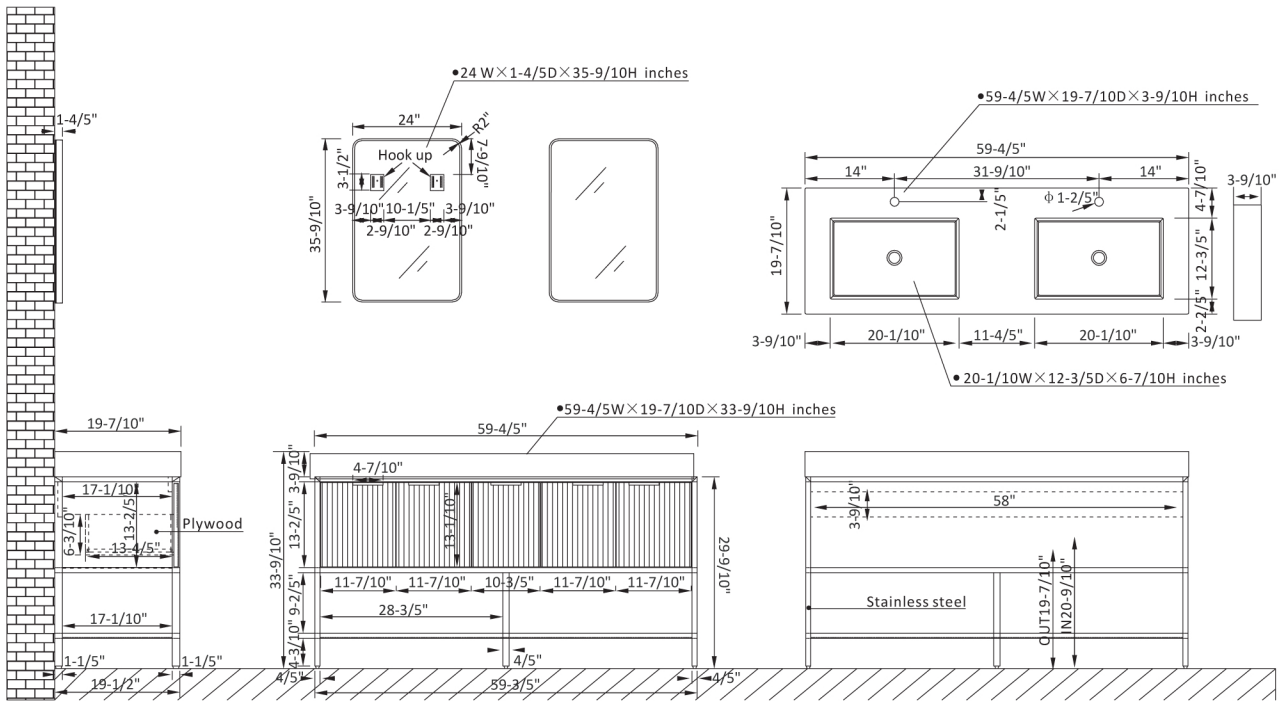
1. Flip the buckle of the front connector, then pull the drawer out to complete the disassembly  
Retournez la boucle du connecteur avant, puis tirez/ sortir le tiroir pour terminer le démontage

1. Install the slide rail with a cross knife
2. Fit the front connector to the bottom of the drawer with a cross knife
3. Put the drawer on the moving rail, and then push the cabinet, The moving rail is snapped into the front connector, and the installation is complete

1. Installez la glissière avec un couteau en croix  
2. Monter le connecteur frontal sur le fond du tiroir avec un couteau croisé  
3. Mettre le tiroir sur le rail mobile, puis poussez l'armoire, le déplacement rail est encliqueté dans le connecteur avant, et l'installation est terminée

• Please check your product packaging to make sure the included accessories etc.

## Diagram Specifications



## Vanity Care Guide

### Vanity Care

- Avoid direct contact of sharp objects as they can cause exterior damage.
- Do not expose directly to the sun as it can cause aging and cosmetic damage.
- Avoid placing hot objects onto the vanity surface.

### Countertop Care

- Kindly note that all our tops are sealed before shipping but may stain, scratch, or chip because they are porous by nature.
- Do not place hot items directly on the countertop as it can damage it.
- To prevent ring marks or staining, dry immediately.
- Place table mats beneath objects that can potentially scratch the surface.
- Use a clean, soft fabric to dust the vanity.
- Occasionally wash with a cloth dampened in warm water. If needed, apply a small amount of mild dishwashing liquid or stone soap to clean. Dry with a soft cloth.
- Refrain from using chemical cleaners, sprays, abrasive cleaners, or products that contain lemon, vinegar, or other acids.
- We advise to reseal top annually or when necessary.

### Cleaning and maintenance

- Avoid using cleaning products that contain Bleach or Ammonia.
- Please use wood-friendly products on wooden base vanities.
- To adequately clean exterior surfaces, use natural cleaning solutions or soap

### WARNING

This product can expose you to chemicals including Nickel compounds, which is known to the State of California to cause cancer. For more information visit [www. P65Warning. ca. gov](http://www.P65Warning.ca.gov)

### WARNING

This product can expose you to Glass wool fibers (inhalable and biopersistent), which is known to the State Of California to cause cancer. For more information, go to [www. P65Warnings. ca. gov](http://www.P65Warnings.ca.gov)

### WARNING

Serious or fatal crushing can occur from furniture tip over . To prevent tip over this furniture must be used with the wall attachment device(s) provided.

Screw(s) and plug(s) for the wall are not included. Use screw(s) and plug(s) suitable for your walls. If you are uncertain, seek professional Advice. Read and follow each step of the instruction carefully.