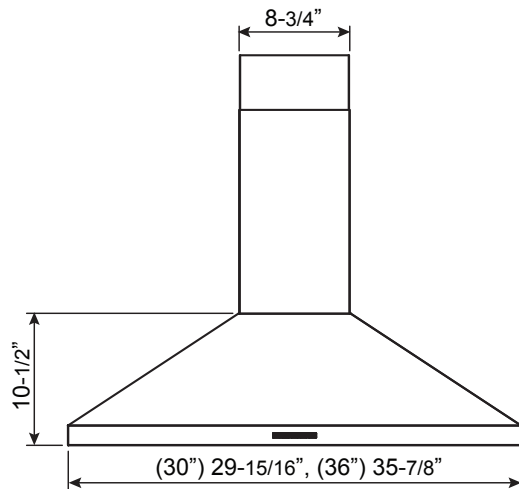


# RH010

## pyramid wall hood



30" model shown



FRONT

<b>MODEL</b>	RH01030AS RH01036AS
<b>SIZE</b>	30"   36"
<b>NET WIDTH</b>	29-15/16"   35-7/8"
<b>MAX. CFM</b>	400
<b>CFM SELECTOR*</b>	290
<b>MAX. SONES</b>	5

### FEATURES

<b>color</b>	stainless steel
<b>controls</b>	3-speed, electronic
<b>lighting</b>	LED (2)
<b>dual level lighting</b>	yes
<b>filters</b>	mesh (2)
<b>recirculating option</b>	yes
<b>extension duct cover</b>	yes

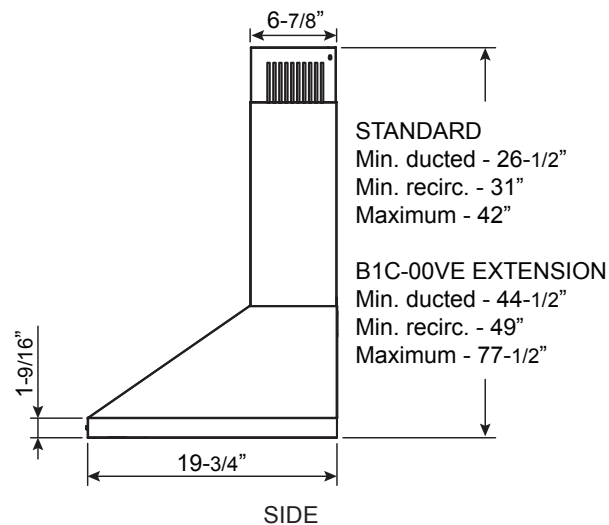
### DUCT SPECIFICATIONS

<b>vertical</b>	6" round
<b>horizontal</b>	NA

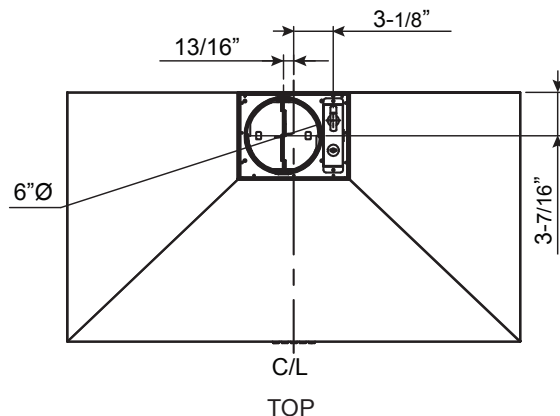
### ACCESSORIES

<b>recirculating kit</b>	RHRK010S
<b>extension duct cover</b>	B1C-00VE (up to 12' ceiling)

<b>AC INPUT</b>	120v, 60hz
<b>AC POWER</b>	max. 360w @ 3a
<b>INSTALLATION HEIGHT**</b>	26" - 34"



SIDE



C/L

TOP

\*CFM Selector enables the installer to limit the maximum CFM to meet local codes. When enabled, the fan speeds will be reduced as follows; 390 CFM = 2 speeds, 290 CFM = 1 speed.

\*\*installation height is the distance between top of cooking surface and bottom of hood.



2023.05

support@appliance-support.com | 1.888.750.1698