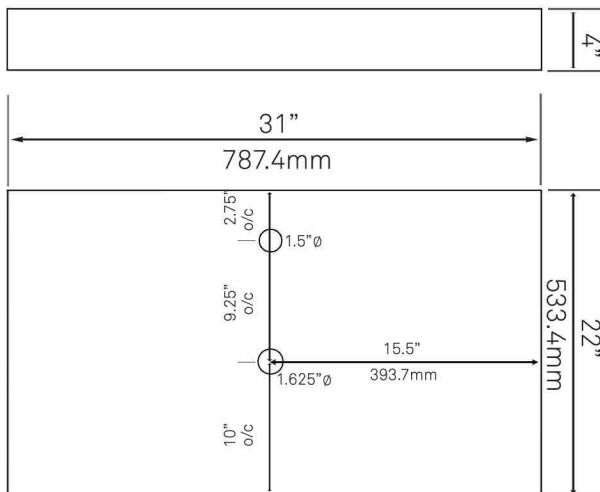




## 30-in Bath Vanity with Carrara Marble Counter, Backsplash & Handles

Requested By: \_\_\_\_\_

Specific Features: \_\_\_\_\_



### STANDARD SPECIFICATIONS:

- 30-inch bathroom vanity in café mocha
- Carrara marble counter
- Includes: handles, countertop, backsplash and vanity
- Vanity constructed of solid wood and veneer
- Thick ¾-inch side panels
- Freestanding installation
- Back wall cut-out: 8" x 11"
- Backsplash: 31" x 4" x .75"
- Vanity comes fully assembled; countertop, backsplash & handles need to be assembled
- Tip-resistant strap included

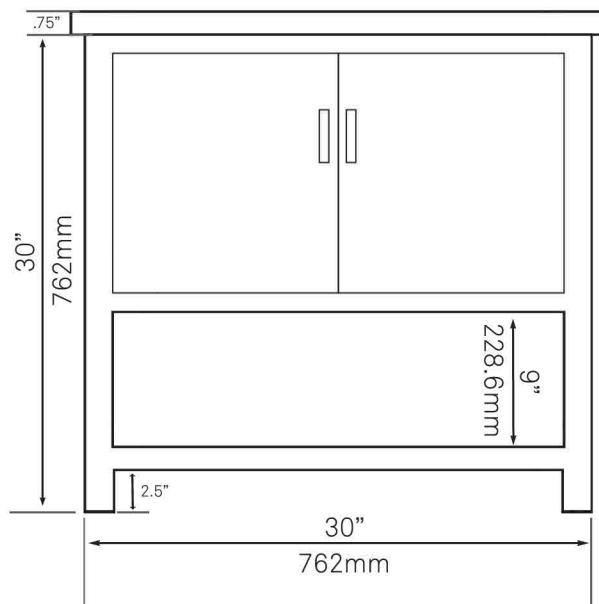
### WARRANTY:

Limited lifetime warranty

### COORDINATING ACCESSORIES:

- See other options for different natural stone countertops & backsplash

### NOTES





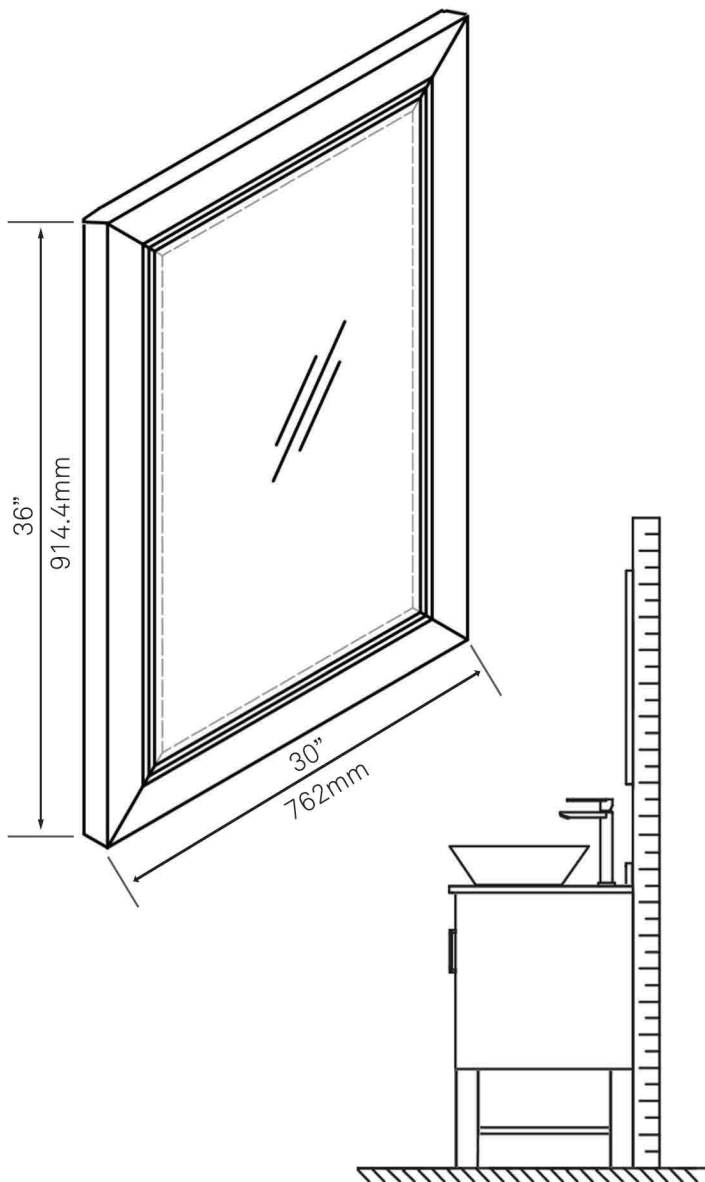
## 30" x 36" Rectangular Mirror, Dark Wood Café Mocha Frame

Requested By:

---

Specific Features:

---



### STANDARD SPECIFICATIONS:

- Ready to hang right out of the box
- Can be hung vertically or horizontally
- Rugged 2.5-inch solid wood frame
- Dimensions: 30 x 36 x 1.25-inches

### WARRANTY:

Limited lifetime warranty

### COORDINATING ACCESSORIES:

- See options for different vanities, countertops, sinks, faucets, drain finishes and hardware.

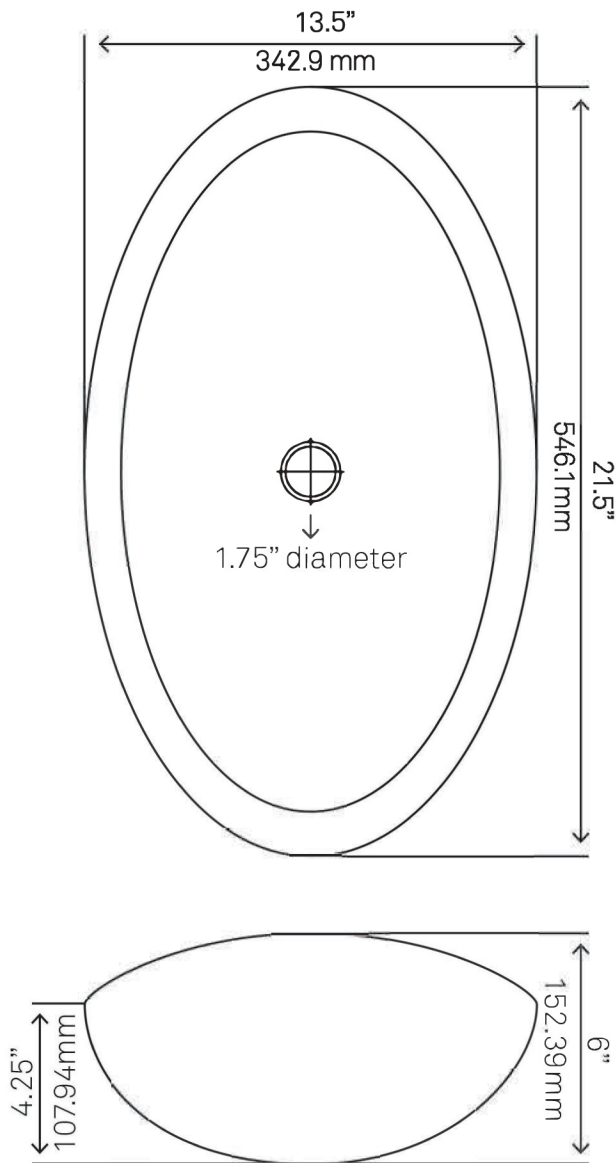
### NOTES



## Clear Glass Vessel Sink

Requested By: \_\_\_\_\_

Specific Features: \_\_\_\_\_



### STANDARD SPECIFICATIONS:

- Oval slipper clear glass vessel
- Made with high tempered glass
- Scratch resistant and non-porous
- Designed for above counter installation
- Standard U.S. plumbing connections
- 1.75-inch drain opening
- No overflow

### WARRANTY:

Limited lifetime warranty

### COORDINATING ACCESSORIES:

- Glacier Ice Restoration and Sealer kit

### NOTES



## Vessel Sink Pop-Up Drain and Mounting Ring, Brushed Nickel

Requested By: \_\_\_\_\_

Specific Features: \_\_\_\_\_

### STANDARD SPECIFICATIONS:

- Clicker pop-up vessel sink drain and mounting ring
- Brushed nickel finish
- Solid brass construction
- Includes rubber seals and fastener for installation
- 9-inches total pop-up length
- Fits any standard 1.75-inch drain opening
- Tailpipe dia. 1.25-inches
- Drain flange 2.375-inches
- Mounting ring inside hole diam 1.625-inches
- cUPC

### WARRANTY:

Limited lifetime warranty

### COORDINATING ACCESSORIES:

- Glacier Ice Restoration and Sealer kit

### NOTES

