



Acrylic Shower Floors Hammond Series

Product Features

- Acrylic construction
- 1-piece construction
- Integral tile flange
- Slip-resistant surface

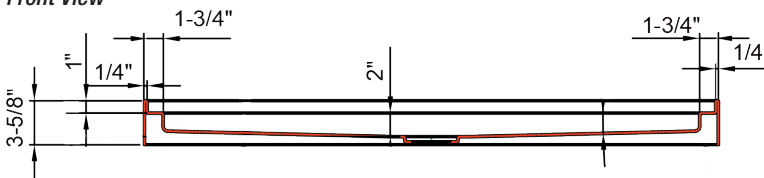
Product Offering

Part Number	Size	Drain Location
PFSBA3636WH	36" x 36"	Center
PFSBA4834WH	48" x 34"	Center
PFSBA4836WH	48" x 36"	Center
PFSBA6030LWH	60" x 30"	Left
PFSBA6030RWH	60" x 30"	Right
PFSBA6032LWH	60" x 32"	Left
PFSBA6032RWH	60" x 32"	Right
PFSBA6034WH	60" x 34"	Center
PFSBA6036WH	60" x 36"	Center

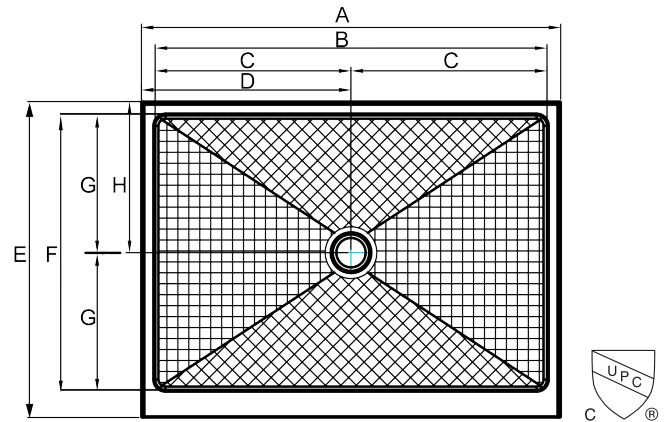
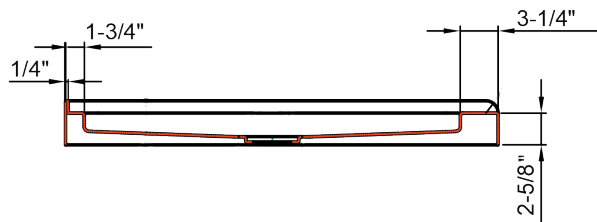


Center Drain Base Dimensions

Front View



Side View



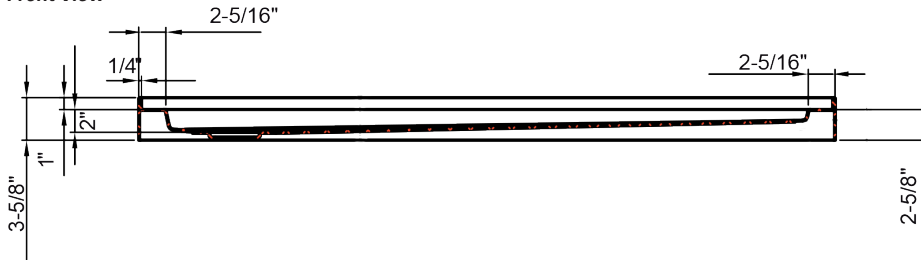
Part #	Size	A	B	C	D	E	F	G	H
PFSBA3636WH	36" x 36"	35-7/8"	32-3/8"	16-3/16"	17-15/16"	35-7/8"	30-7/8"	15-7/16"	17-3/16"
PFSBA4834WH	48" x 34"	47-3/4"	44-1/4"	22-1/8"	23-7/8"	33-3/4"	28-3/4"	14-3/4"	16-1/8"
PFSBA4836WH	48" x 36"	47-3/4"	44-1/4"	22-1/8"	23-7/8"	35-7/8"	30-7/8"	15-7/16"	17-3/16"
PFSBA6034WH	60" x 34"	59-7/8"	56-3/8"	28-3/16"	29-15/16"	33-7/8"	28-7/8"	14-7/16"	16-3/16"
PFSBA6036WH	60" x 36"	59-7/8"	56-3/8"	28-3/16"	29-15/16"	35-7/8"	30-7/8"	15-7/16"	17-3/16"



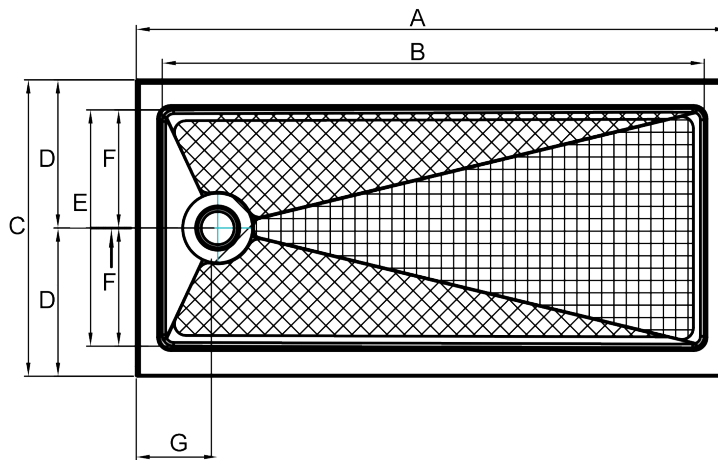
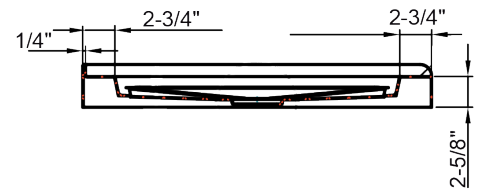
Acrylic Shower Floors Hammond Series

Left/Right* Drain Base Dimensions

Front View



Side View



* Left hand model shown. Right hand model is exact opposite.

Part #	Drain Location	Size	A	B	C	D	E	F	G
PFSBA6030LWH	Left	60" x 30"	59-7/8"	55-1/4"	30"	15"	24-1/2"	12-1/4"	8-1/4"
PFSBA6030RWH	Right	60" x 30"	59-7/8"	55-1/4"	30"	15"	24-1/2"	12-1/4"	8-1/4"
PFSBA6032LWH	Left	60" x 32"	59-7/8"	55-1/4"	31-7/8"	15-15/16"	26-3/8"	13-3/16"	8-1/4"
PFSBA6032RWH	Right	60" x 32"	59-7/8"	55-1/4"	31-7/8"	15-15/16"	26-3/8"	13-3/16"	8-1/4"

Warranty and Codes

These products come complete with installation, operating, care and maintenance instructions. All PROFLO shower floors carry a 1-year limited warranty. These products meet or exceed ANSI Z124.2-95. In an effort to continually improve our products, Ferguson will make design changes from time to time. We reserve the right to ship newly designed product to fill any order unless we agree in writing to do otherwise.

Note: All dimensions and specifications are nominal and may vary $\pm 1/4"$. Use actual products for accuracy in critical situations.