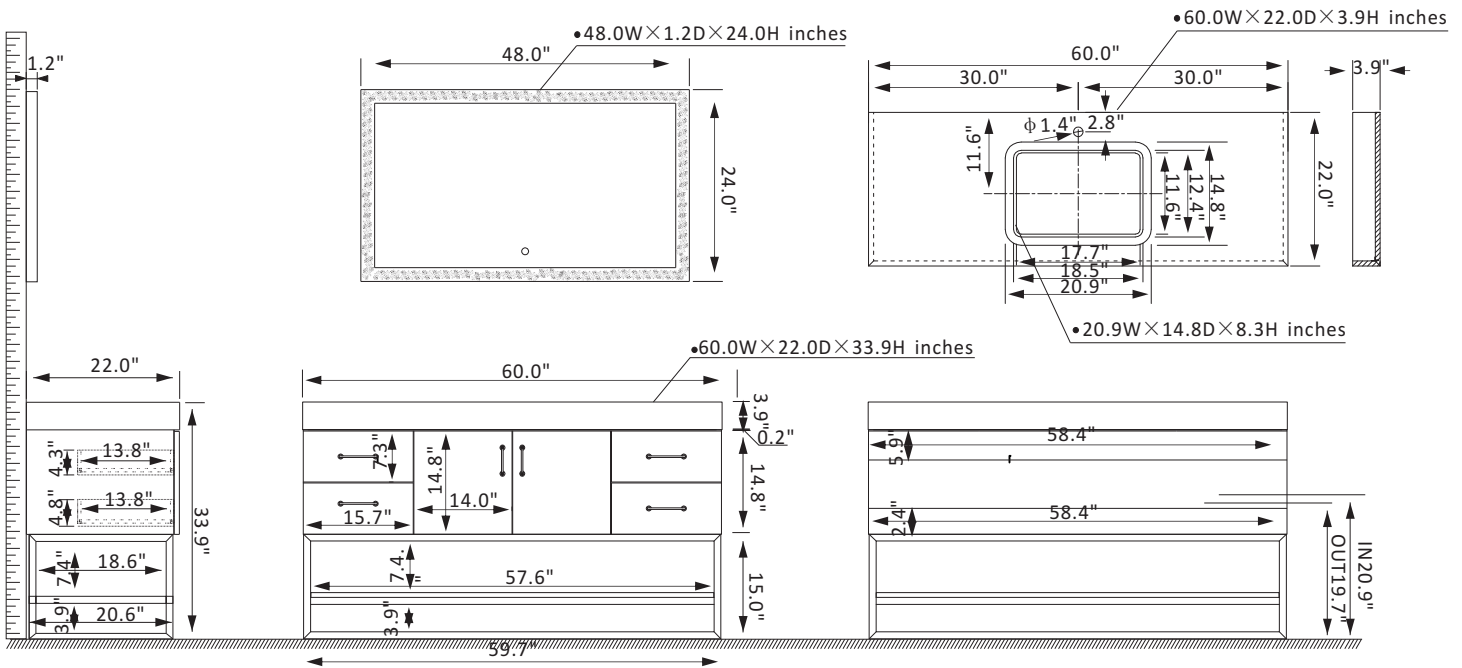


# Vinnova Alistair Vanity Collection 789060BS-NO-GW



## Features

- Plywood and Crafted of PVC board which Waterproof, moisture-proof and ash layer
- North American oak finish
- Single rectangle touch-sensor mirror with energy-efficient LED lighting
- White grain stone countertop
- Rectangular undermount white ceramic sink with overflow included
- Two soft-closing drawers and four soft-closing doors
- Brushed gold or Matte Black Hardware finish hardware
- Brushed gold metal or Matte Black bracket support base and the open type fixed shelf
- Built-in UL-listed power and USB outlet
- Single faucet hole, pre-drilled

\* Does not include faucet, drain assembly, or P-trap and backsplash

