

MISENO

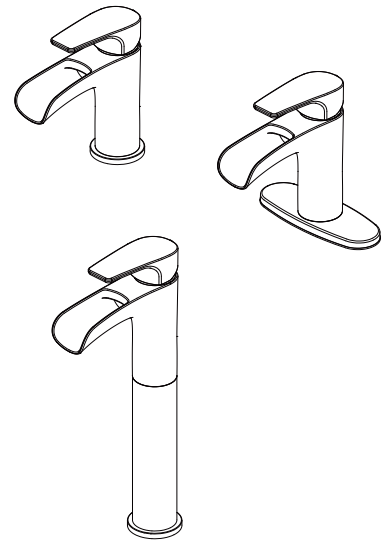
SINGLE HANDLE LAVATORY FAUCET

Model:

MNO5882LCP

MNO5882LZBN

MNO5882LFB



CAUTION-TIPS FOR REMOVAL OF OLD FAUCET:

Always turn off water supply before removing existing faucet or replacing any part of the faucet. Open the faucet handle to relieve water pressure and ensure that water is completely shut off.

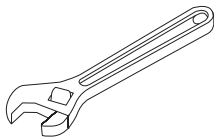
CARE INSTRUCTIONS:

To preserve the finish of your faucet, apply non-abrasive wax. Any cleaners should be rinsed off immediately. Do not use abrasive cleaners on the faucet.

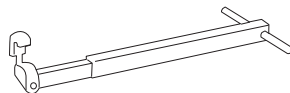
You may need/Usted puede necesitar



Goggles



Wrench



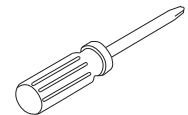
Basin Wrench



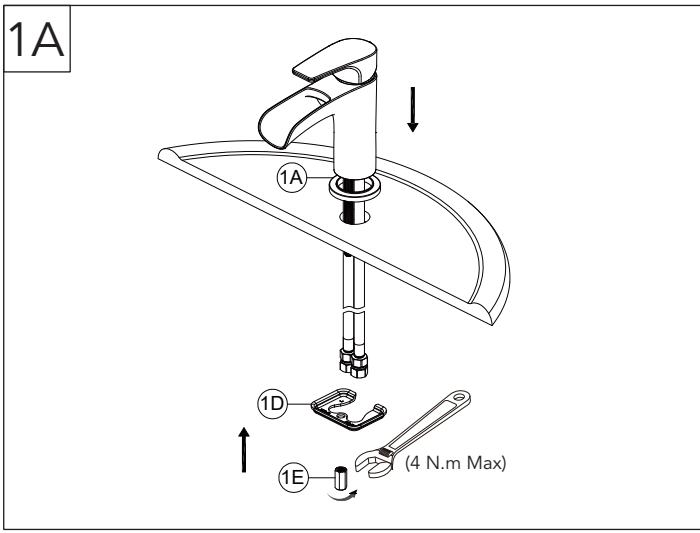
Sealant Tape



Silicone

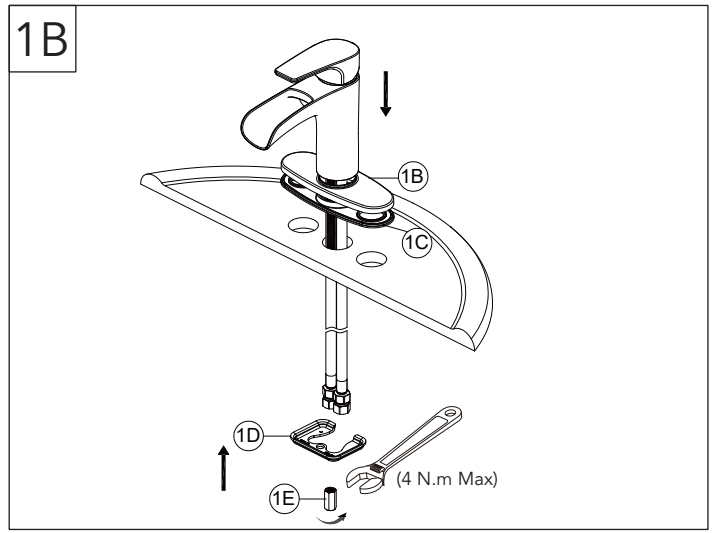


Phillips Head Screwdriver



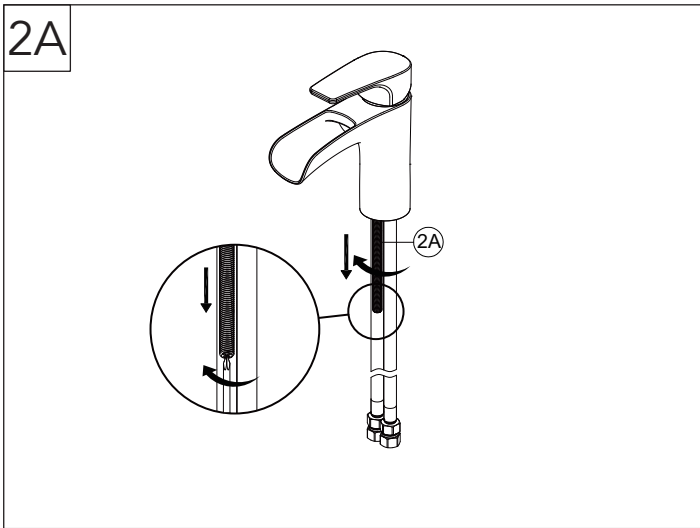
Optional Flange Installation

Shut off water supplies. Before installation, ensure that the flange (1A) is placed on the bottom of the new faucet assembly. Place the faucet assembly through the mounting hole in the sink. Secure the faucet assembly to the sink using the washer (1D) and nut (1E) provided. Please continue to Step 3. If installing the faucet with the escutcheon, begin with step 1B.



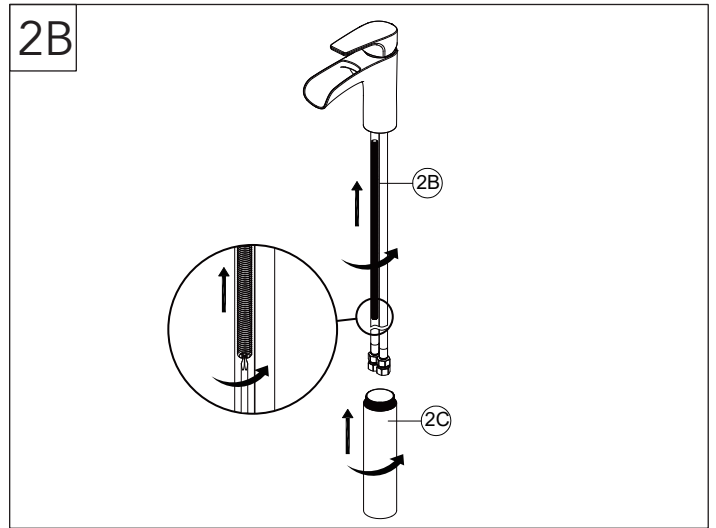
Optional Escutcheon Installation

Before installation, remove the flange. Align the hole in the gasket (1C) and deck plate (1B) with the mounting hole in the sink. Place the faucet assembly through the deck plate (1B) and mounting hole in the sink. Secure the faucet assembly to the sink using the washer (1D) and nut (1E) provided. Please continue to Step 3. NOTE: If the sink is uneven, use silicone under the gasket (1C).

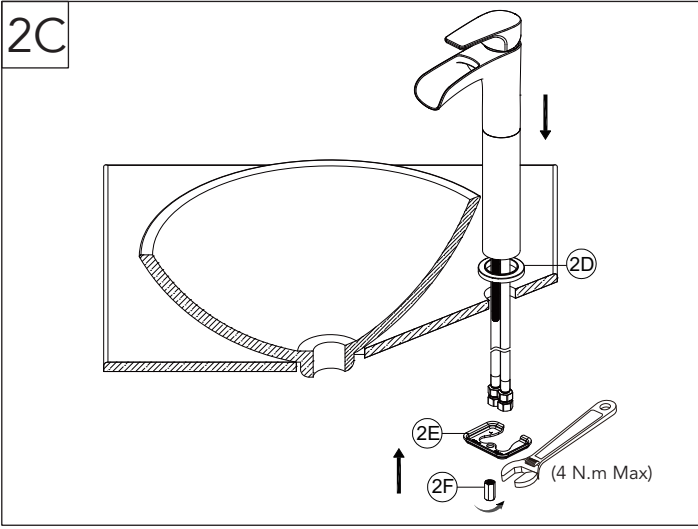


Optional Vessel Extension Kit Installation

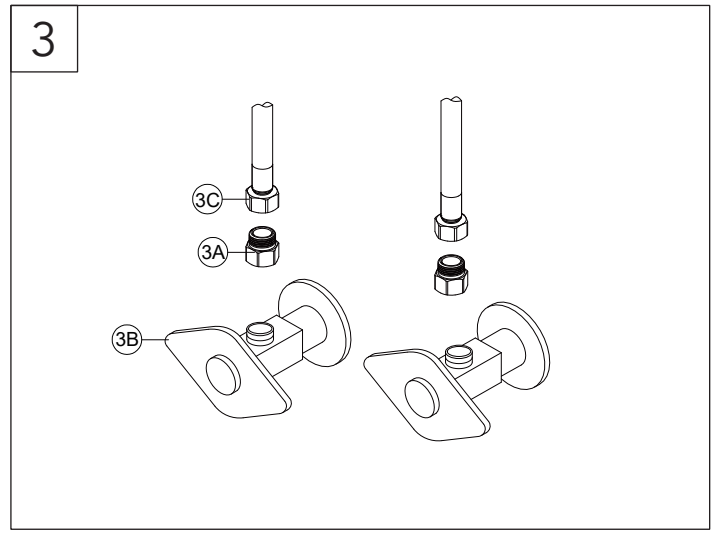
Unscrew the bolt (2A) with a phillips head screwdriver.



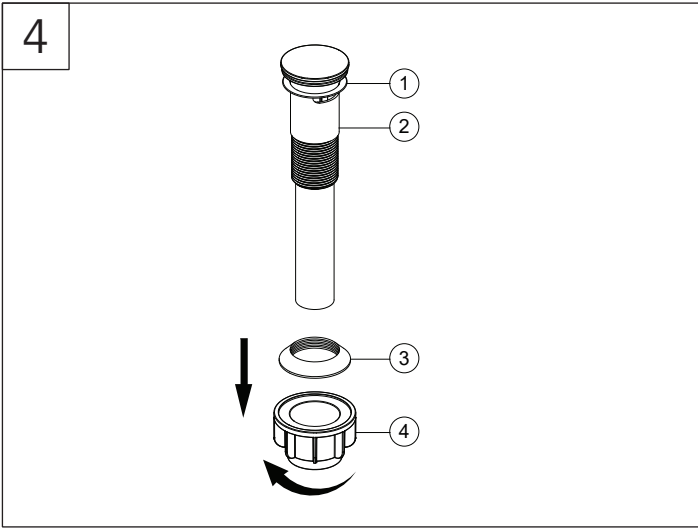
Screw the extension bolt (2B) into the faucet body. Then tighten the higher seat (2C).



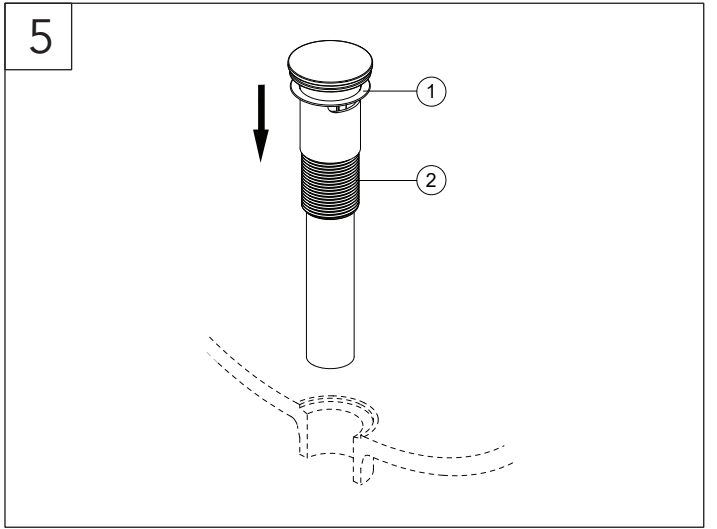
Before installation, ensure that the flange (2D) is placed on the bottom of the new faucet assembly. Place the faucet assembly through the mounting hole in the sink. Secure the faucet assembly to the sink using the washer (2E) and nut (2F) provided.



Thread the connector (3A) onto outlet of water supply valve (3B) and tighten with wrench. Then thread the nut (3C) on supply line onto connector (3A). Do not overtighten.

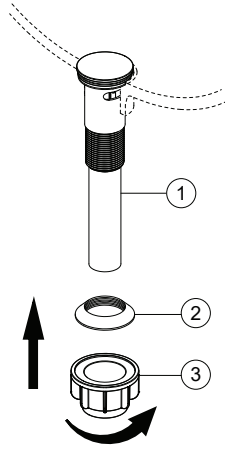


Remove the bottom gasket (3) and nut (4) from the top gasket (1) and pop-up body (2). Attach these pieces together by pushing the bottom gasket (3) down into the top of the nut (4) and twisting together.



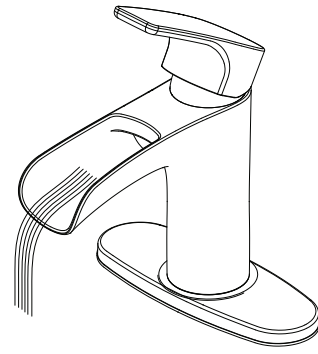
Insert the pop-up body (2) into the sink. Ensure that the top gasket (1) rests securely between the top of the sink and the top of the pop-up body (2).

6



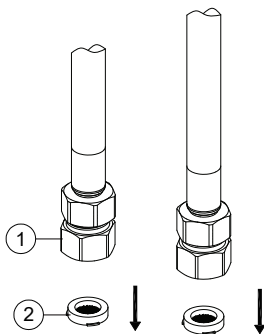
From underneath the sink, screw the bottom gasket (2) and nut (3) assembly onto the pop-up body (1) by twisting clockwise until secure.

7



Flushing and checking for leaks: Ensure the faucet handle is in the off position, and turn on the water supply to check for leaks. If you discover any leaks, check your connections to ensure they are installed properly. Turn on the hot and cold water handle to allow the water to run for at least one minute. This flushes away any debris that could cause damage to internal parts. Turn off the water.

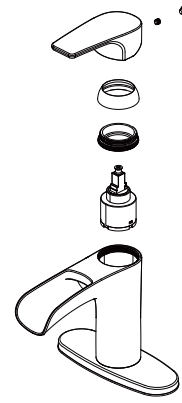
8



Faucet Maintenance:

NOTE: Screen washers have been added to the supply lines. If flow becomes restricted or pressure reduced, please proceed as follows: Shut off water supply at angle stop and unscrew the hoses from water supply lines. Remove screen washers (2) from hoses (1) and clean/rinse off any debris. Reinstall the washers (2) into hoses (1) in original direction, reconnect supply lines and turn water on.

Maintenance:
If faucet leaks underneath handle or water does not completely shut off: replace cartridge.



* Specify Finish

