

USER GUIDE

LED LIGHTED RECESSED MEDICINE CABINET – WITH SURFACE-MOUNT KIT



Model: 69252235, 69353035, 69354235

IMPORTANT SAFETY INFORMATION

Please read through this installation instruction so you will know how to install and operate your model properly. Keep this document in a safe place for future reference after use.








WARNING

This product must be installed in accordance with the installation instruction by qualified technician. Failure to follow instruction could result in death or serious bodily injury.

CAUTION

This product must be serviced by qualified personnel. ALWAYS unplug the power cord or switch off the circuit breaker at the mains before installation and service.

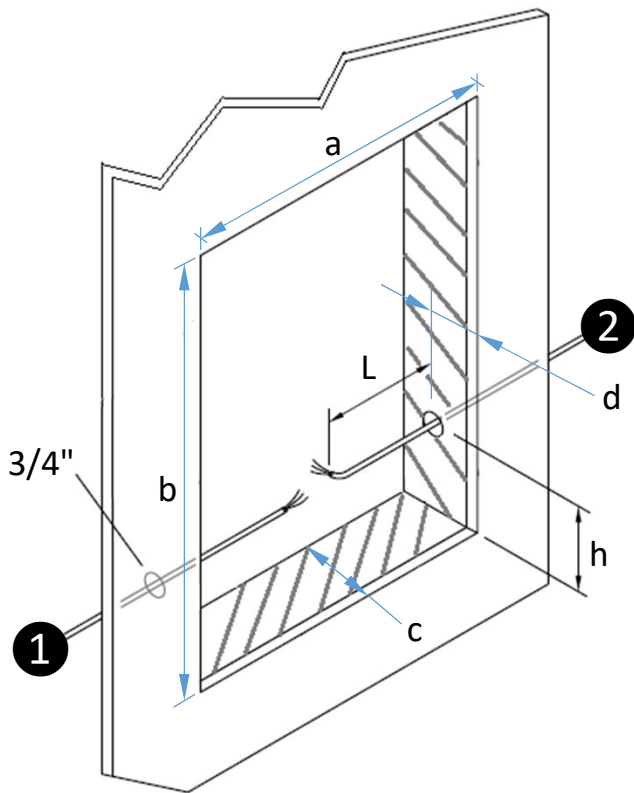
PARTS LIST

Main Medicine Cabinet			
Item	Description	Image	Quantity
1	Tempered Glass Shelf		3
2	Shelf Pin Support		12
3	Shelf Hole Plug		18
4	Wood Screw		4
5	Drywall Anchor		4
6	Screw Cap - Inner		4
7	Screw Cap - Outer		4

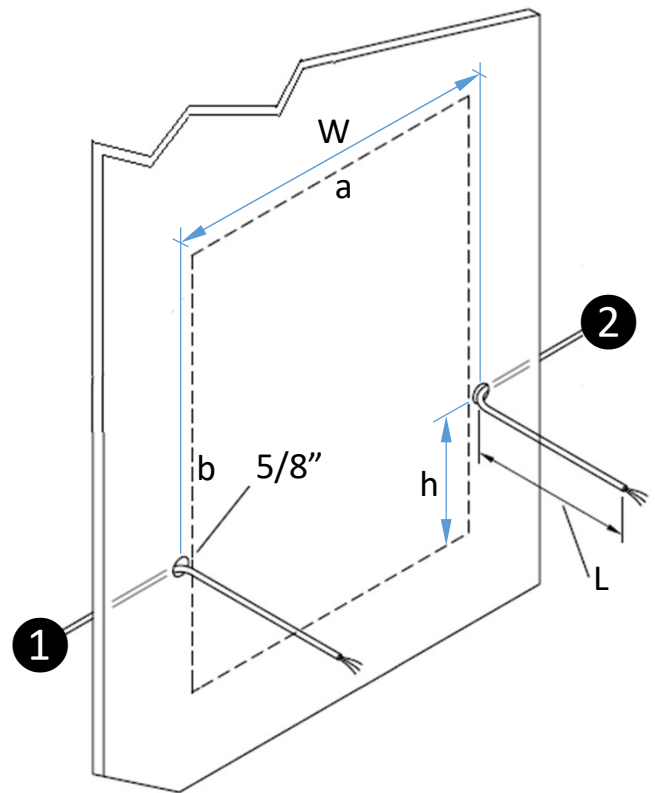
Surface-Mount Kit (Sold Separately)			
Item	Description	Image	Quantity
1	Side Mirror		2
2	Side Mirror Bracket		4
3	Machine Screw - Side Mirror Bracket		4
4	Wood Screw		4
5	Drywall Anchor		4
6	Side Mirror EVA Foam Block		6
7	Upper Mounting Bracket		4
8	Lower Mounting Bracket		1

INSTALLATION

Recessed Mount



Surface Mount

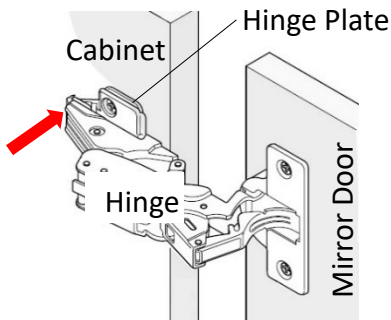


	a	b	c	d	h	L	W
69252235	21"	34"	4"	2-1/2"	18"	20"	21"
69353035	29"	34"	4"	2-1/2"	18"	28"	29"
69354235	41"	34"	4"	2-1/2"	18"	40"	41"

- 1 Electrical wire from GFCI Blank Face to be connected to the built-in outlet receptacle. (For the built-in outlet receptacle, rating: 20A 125V AC 60Hz, Class 2 Output: 5VDC Max 4.8A)
- 2 Electrical wire with constant 110V/60Hz AC or from a wall switch to be connected to the LED lights.

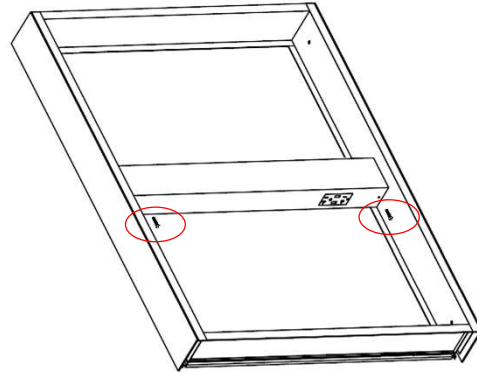
INSTALLATION

Remove the Mirror Door



Unplug the cable from the Mirror Door to Electrical Box. Remove the Mirror Door by pulling on the tab behind the Hinge to detach the hinge from the Hinge Plate.

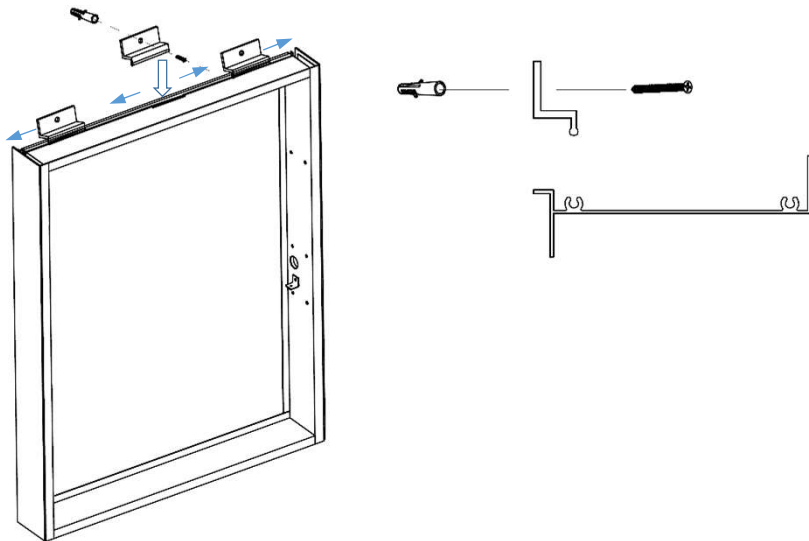
Remove the Electrical Box



Take out the electrical box by removing the 2 screws underneath.

For Surface Mount ONLY

1. Install upper mounting brackets

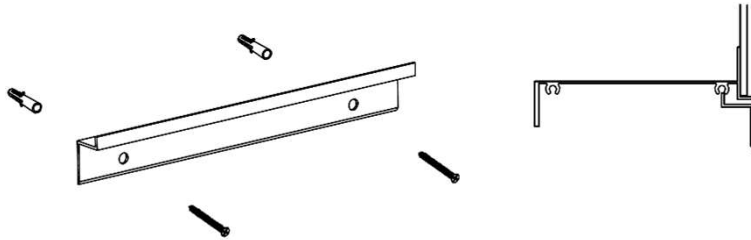


- Insert brackets from the cutaway at the center of the upper groove.
- Install one bracket to the wall at each end.
- Install the other two brackets to the wall along the groove.

NOTE: For drywall application, it is recommended to attach at least one bracket at the wall stud location.

For Surface Mount ONLY (continue)

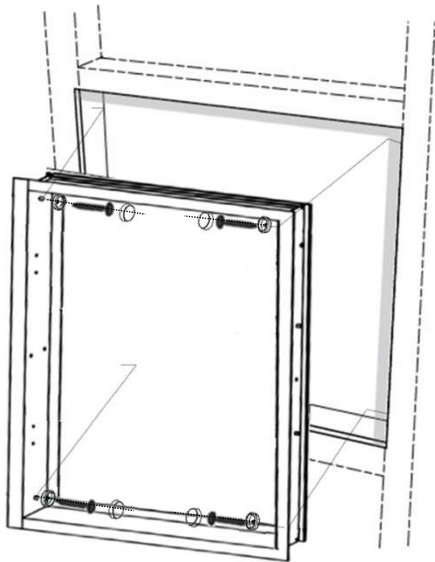
2. Install the lower mounting bracket



- a. Slide the bracket into the groove at the bottom of the cabinet towards the back.
- b. Mount the bracket to the wall.

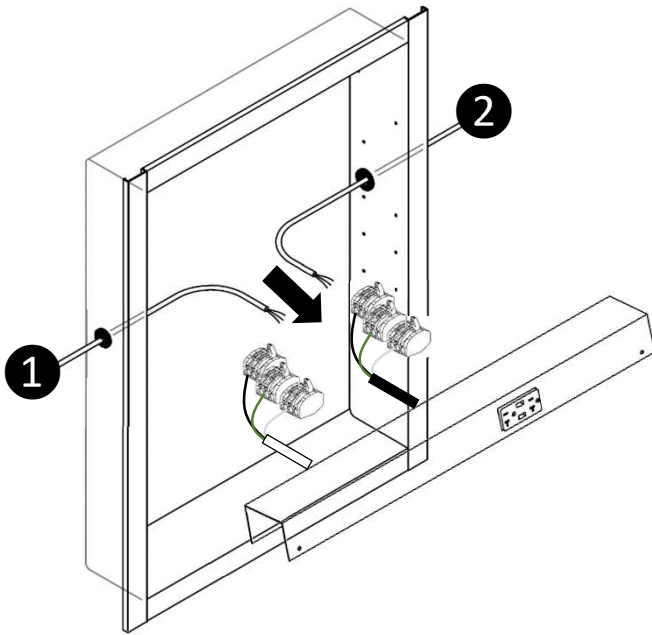
For Recessed Mount ONLY

Secure the cabinet to the frame



Secure the cabinet to the frame as shown above.

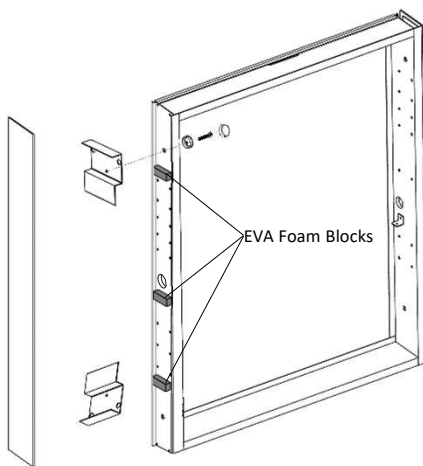
Wiring



1. Route the wire into the cabinet.
2. Insert electrical wire from GFCI Blank Face to the corresponding outlet receptacle prewired quick connectors (Black Cable) in the electrical box.
3. Insert electrical wire with constant 110V/60Hz AC or from a wall switch to the corresponding LED lights prewired quick connectors (White Cable) in the electrical box.
4. Reinstall the electrical box.

For Surface Mount ONLY

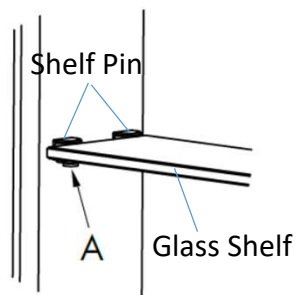
Attach the Side Mirrors



Attached the side mirrors to the cabinet as shown above.

INSTALLATION

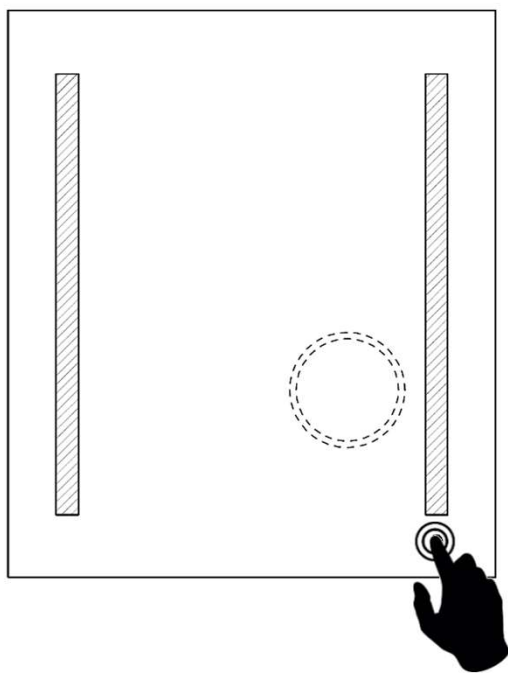
Install the Glass Shelves



Insert Shelf Pins to desired height. Slide the Glass Shelf into position and tighten the plastic set screw (A)

Reattach the Mirror Door(s) and reconnect the power supply cables to the Electrical Box.

BASIC OPERATIONS



Touch switch

- Press the switch once to turn on/off the LED lights.
- When the lights are on, press and hold the switch for about 3 seconds to change the color temperature.

CARE AND MAINTENANCE

Clean the mirror with a soft, damp cloth and dry thoroughly with a soft towel. Do NOT allow the edges of the mirror to get or remain wet over a period of time. Please do NOT use glass cleaner that contains ammonia or vinegar. Never spray any cleaner directly onto a mirror. Instead apply the cleaner to a soft cloth and then wipe the mirror. Make sure no commercial cleaner comes in contact with the edge or backing.

WARRANTY

5 years Limited Warranty

innoci usa LED mirrors (Illumirror®) have been manufactured under the highest standards of quality and workmanship. We warrant to the original purchaser that our LED mirrors are free from any defects in material and workmanship by normal use for 5 years from date of purchase. A replacement for any defective part will be supplied FREE OF CHARGE for installation by you.

This warranty is valid to the original purchaser only and does not cover product damage due to installation error, product abuse, product misuse, etc. whether or not performed by professionals. **innoci usa** will not be responsible for labor charges and/or damage incurred in installation, repair or replacement nor for any incidental or consequential damages.

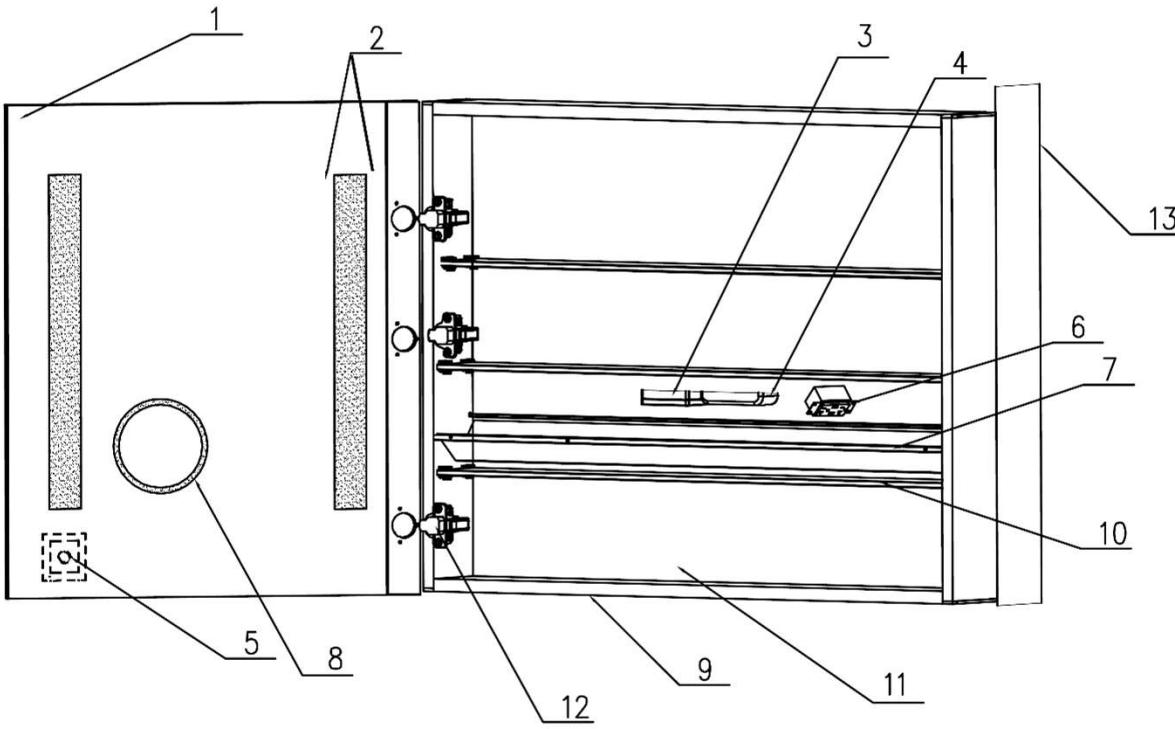
All warranty claims should be sent to customerservice@innoci-usa.com or call 1.866.479.8076. Our customer service representative will contact you promptly to help you go through the process until you are completely satisfied with our products.

SHORTAGE OR DAMAGED PRODUCTS All shipments are carefully inspected and counted before leaving our distribution centers. Please inspect carefully on receipt of merchandise, noting any discrepancy or damage on the carrier's freight bill at that time, and file a claim with the carrier within 10 days from receipt of order. Then contact our office. Deductions from invoices for shortages or damage claims will not be allowed.

RETURN NEW GOODS All claims for returns or adjustments must have prior approval and return authorization (RA) number. Only original, sealed product in salable condition are eligible for return. Credit for authorized returns will be issued at the net price paid for the product and subject to a 15% restocking/handling fee. Merchandise is to be returned via prepaid freight. All unauthorized returns will be refused or subject to a 25% restocking/handling fee.

To request an "RA" number: Contact our Customer Service Representatives at customerservice@innoci-usa.com. We will send you a Return Authorization Number (RA) by return email. Please take necessary precautions when returning merchandise to prevent additional damage. Insurance is the responsibility of the shipper.

EXPLODED VIEW



Part	Description
1	Mirror Door
2	LED Light
3	Connection Box
4	LED Driver
5	Touch Switch
6	110V Receptacle with USB Outlets
7	Cover Plate
8	Cosmetic Mirror
9	Aluminum Frame
10	Glass Shelf
11	Mirror Back Board
12	Hinge
13	Side Mirror (Sold Separately)

innoci usa, Inc.

14530 Best Ave.,
Santa Fe Springs, CA 90670

www.innoci-usa.com