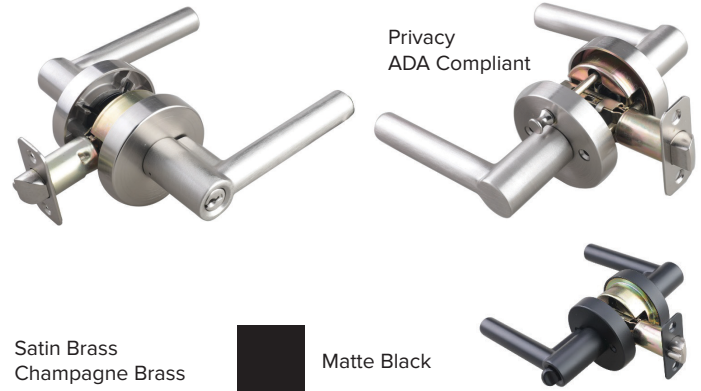


# HLK21 SERIES ROUND BAR LEVER

Round Die Cast Rosette



Available  
Finishes:



US15  
Satin Nickel



US26  
Polished Chrome



Satin Brass  
Champagne Brass



Matte Black

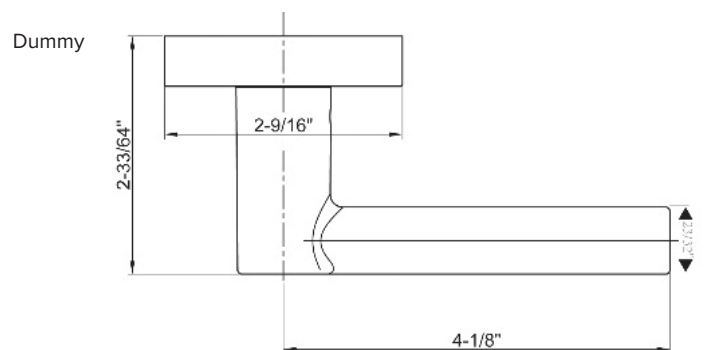
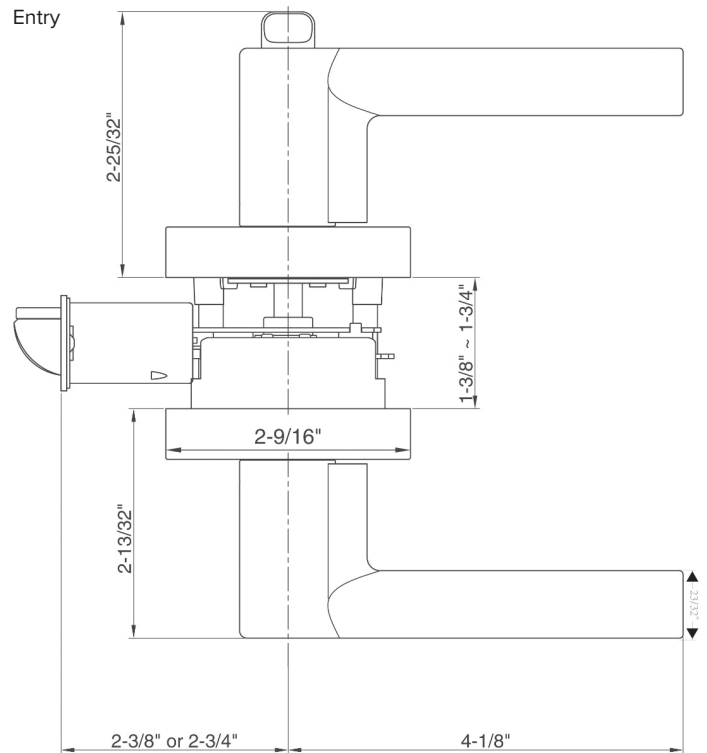


## FEATURES & OPTIONS:

- Door Thickness – Fit 1-3/8" to 1-3/4" standard door thickness
- Door Preparation – Cross bore: 2-1/8", edge: 1"
- Latch Backset – Adjustable 2-3/8" – 2-3/4"
- Latch – 2-way
- Faceplate – 1" x 2-1/4" round corner
- Spindle Type – Square
- Bolt – 1/2" throw
- Trim Guard - Installed
- Cylinder – Zinc cylinder KW1 keyway 5 brass pins
- Keys – 2 brass keys, nickel plated, stamped with key code
- Strike Plate – 2-1/4" x 1-3/4" round corner
- Handing – Non-handed reversible
- Material – Zinc alloy
- Rosette – Die cast
- ANSI/BHMA – Meets the requirements of A156.2 grade 3

## FUNCTIONS:

- **Entry – (F109)**  
Both levers locked or unlocked by key outside or turn-piece inside
- **Privacy – (F76B)**  
Bedroom or Bath Lock. Latchbolt operated by lever from either side except when outside lever is locked by locking device inside. Locking device shall automatically release when inside lever is operated or be in unlocked position before inside lever is operated. Emergency release on outside shall permit outside lever to operate latchbolt
- **Passage – (F75)**  
Latchbolt operated by lever from either side at all times
- **Dummy**  
Pull one/both side, no mechanical operation



## WARRANTY:

- Limited Lifetime Mechanical Warranty
- Limited 5-Year Finish Warranty

# HLK83 SERIES

## DESIGNER ROUND DEADBOLT SINGLE CYLINDER



**Available Finishes:**



US15  
Satin Nickel



US26  
Polished Chrome



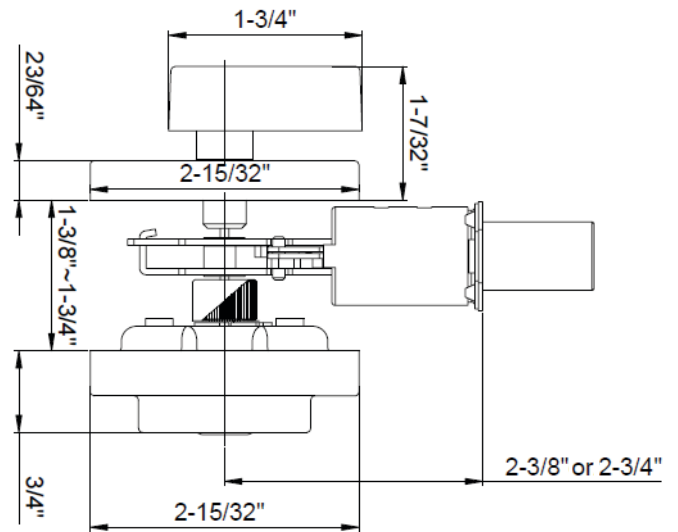
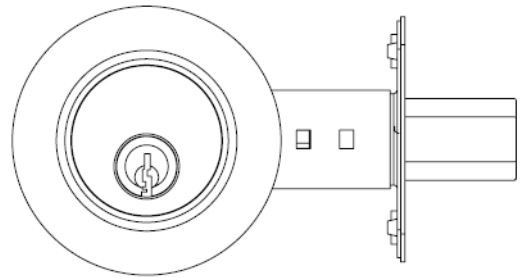
Satin Brass  
Champagne Brass



Matte Black

### FEATURES & OPTIONS:

- Door Thickness – Fits 1-3/8" to 1-3/4" standard door thickness
- Door Preparation – Cross bore: 2-1/8", edge: 1"
- Latch Backset – Adjustable 2-3/8" or 2-3/4"
- Latch – 2-way radius
- Standard Latch Faceplate – 1" x 2-1/4" radius
- Spindle Type – Flat bar
- Bolt – 1" throw bolt – Anti cut pin or pins
- Cylinder – Zinc cylinder KW1 keyway 5 brass pins
- Keys – 2 brass keys, nickel plated, stamped with key code
- Strike Plate – Matched to latch
- Rosette – Zinc die cast
- Material – Steel and solid brass
- ANSI/BHMA – Meets the requirements of A156.5 grade 3



### FUNCTIONS:

- **Single Cylinder Deadbolt – (F17)**  
The outside locked and unlocked with a key and the inside locked and unlocked by a thumb turn

### WARRANTY:

- Limited Lifetime Mechanical Warranty
- Limited 5-Year Finish Warranty