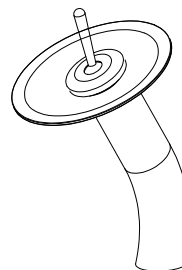


NO.	Description
1	Handle
2	Cover
3	Cover
4	Gasket
5	O-ring
6	Pressing Nut
7	O-ring
8	Cartridge
9	Glass Spout
10	Installation Gasket
11	Body
12	Plastic Washer
13	Metal Washer
14	Screw
15	Lock Nut
16	Flexible Hose



### Waterfall Glass Vessel Sink Faucet

product is CUPC, AB1953, WATERSENSE and NSF certified.

ASME A112.18.1/CSA B125.1

#### RECOMMENDED TOOLS



Adjustable Wrench



Channel Locks



Goggles



Teflon tape



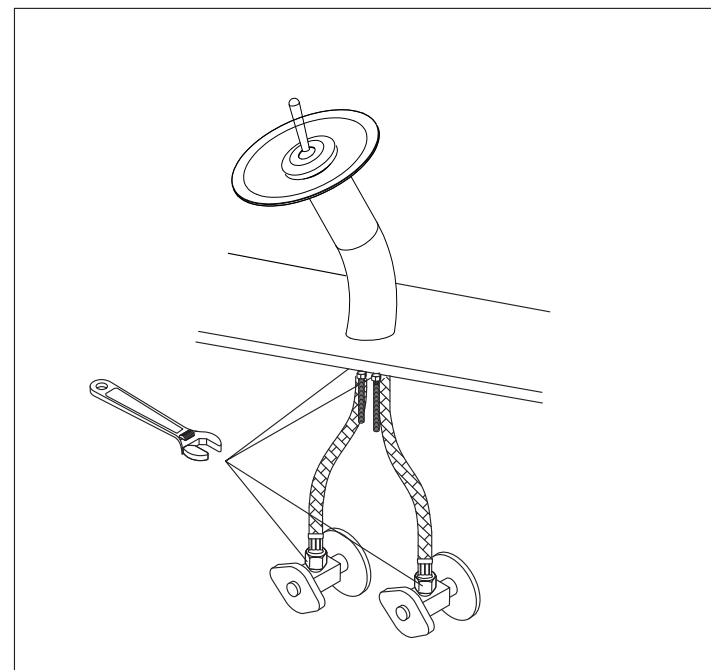
Allen key

**WARNING:**  
 Please keep the  
 tool for future  
 use!

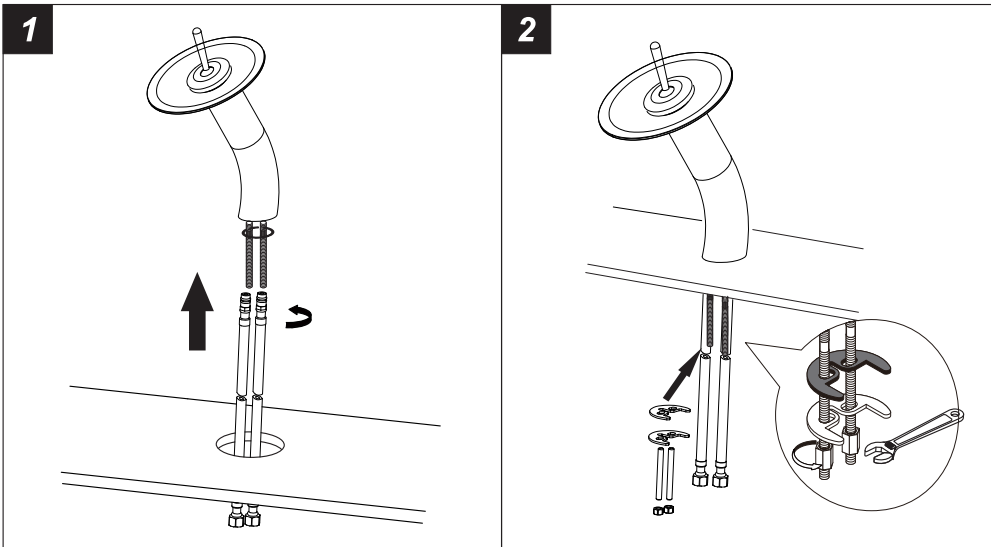


**Attention:**  
 for easy installation, you will need:  
 1. To read all the installation instruction completely before beginning.  
 2. To read all the warning, attention and maintenance information.  
 3. To purchase the proper supply lines.

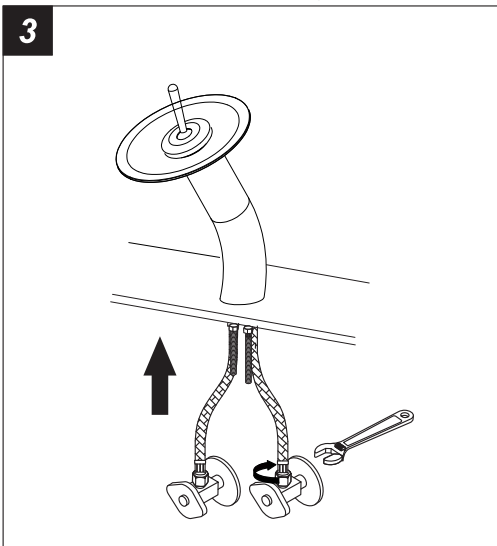
The tools might be applied to the following places:



## Step 1 Faucet installation



1. Screw the long screws on the faucet. Place O-ring below faucet and screw the flexible hoses. And then put them into the hole.
2. Assemble the thread shank, plastic washer and metal washer to faucet. Adjust the position of the faucet, and secure it with the lock nut as photo.

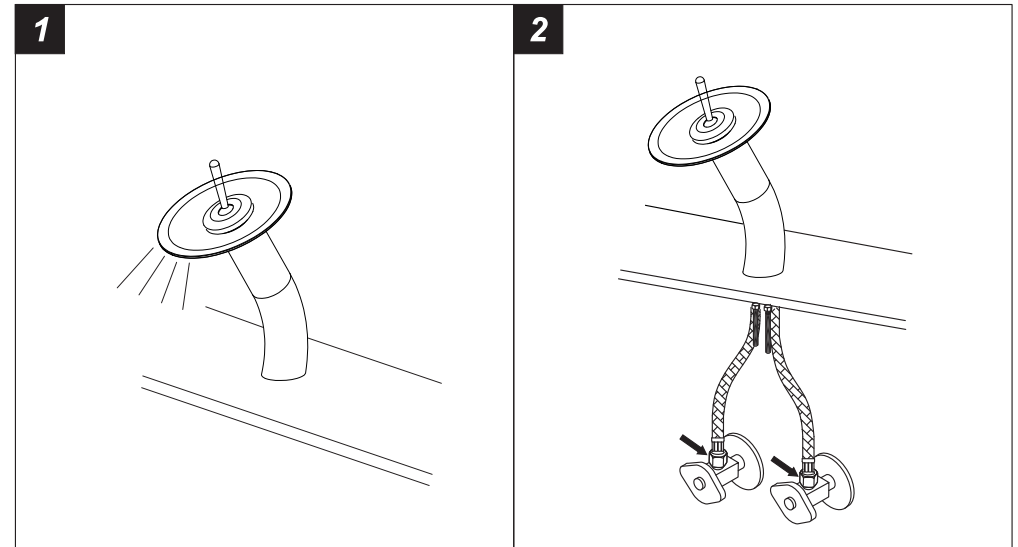


3. Connect the flexible hoses to water supply valve (not included) and copper tubes, and tighten it with adjustable wrench. **DON'T OVER TIGHTEN!**  
Caution: make sure connect the hot and cold flexible hose to supply valves correctly.



Warning: The supply valves are not included, please purchase them in plumbshop.

## Step 2 Checking and testing



1. Turn the faucet handle all the way on, turn on hot and cold water supply and flush water lines for one minute.
2. Check all connections at arrows for leaks, re-tighten it if necessary.



**BUT DON'T OVERTIGHTEN**

## Step 3 Cleaning and care

Daily cleaning and care are required in order to keep the product shining and properly working.

1. Clean it with water and dry it with soft cloth.
2. Clean the product with gentle liquid or glass cleaner.
3. Don't use acid cleaner.
4. Don't clean with abrasive material, abrasive paper or knife.