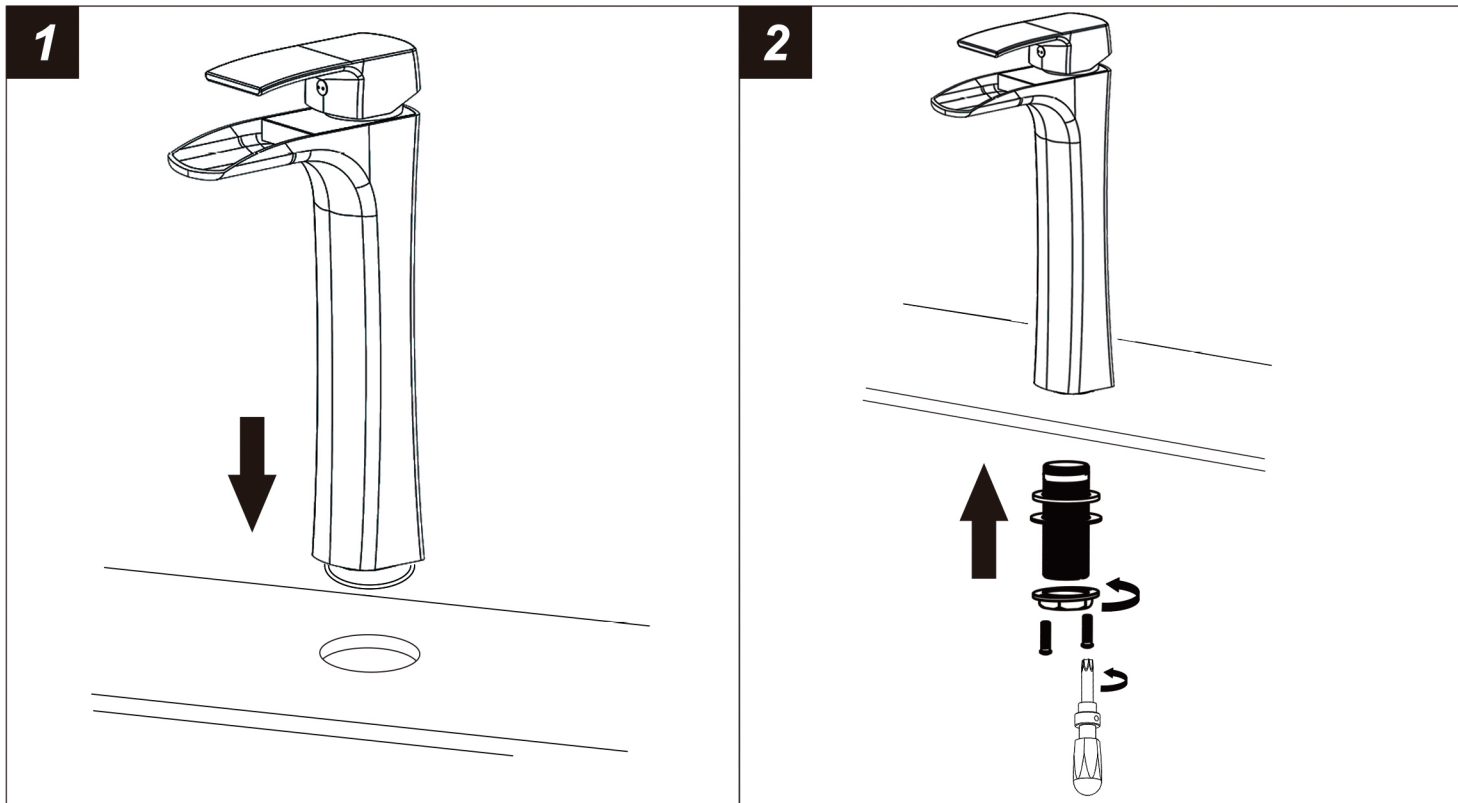
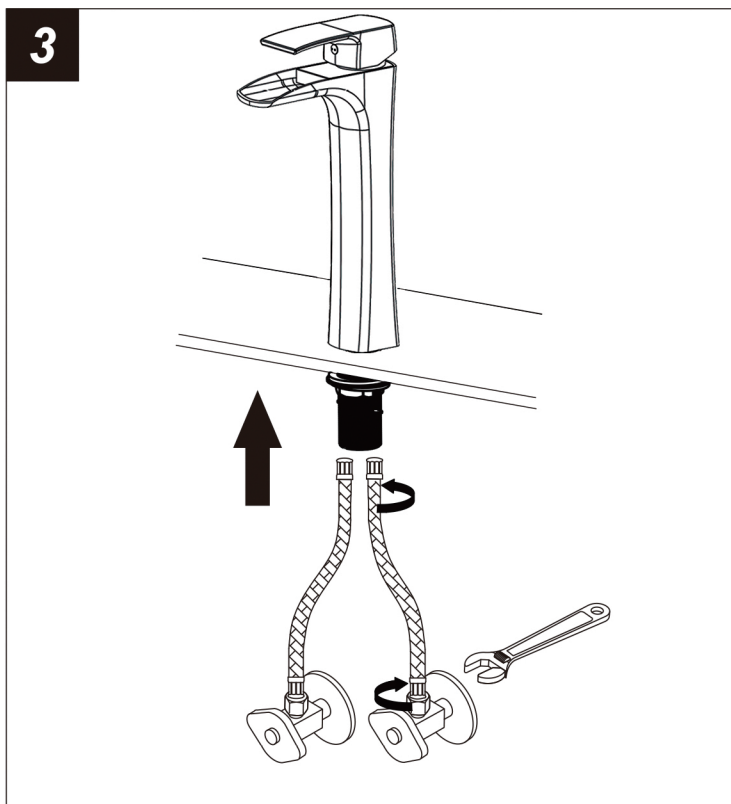


Step 1 Faucet installation



1. Assemble the screw to faucet, position the faucet, base and o-ring on the installation surface.
2. Assemble the thread shank, plastic washer and metal washer to faucet. Adjust the position of the faucet, and secure it with the lock nut as photo.



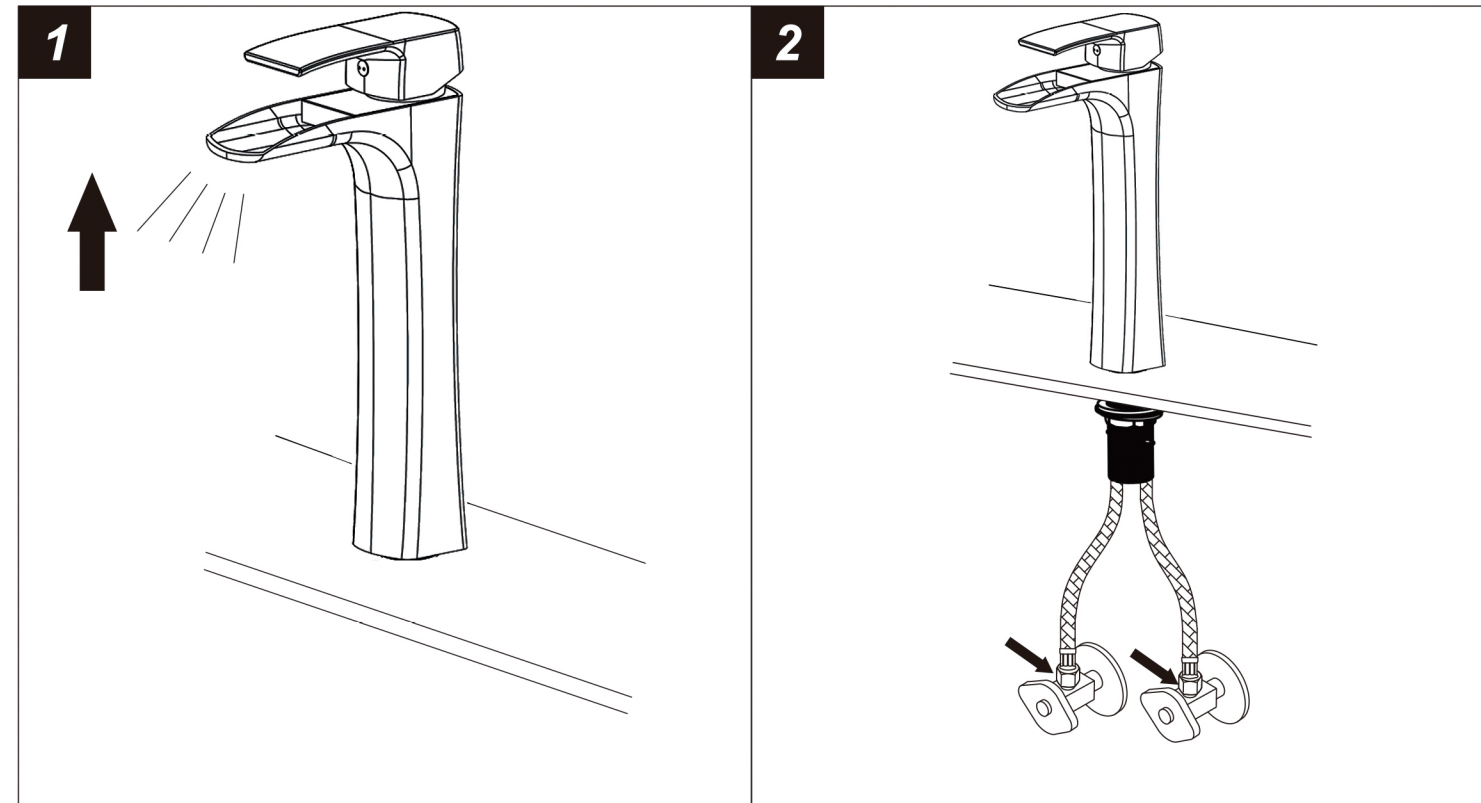
3. Connect the flexible hoses to water supply valve (not included) and copper tubes, and tighten it with adjustable wrench. **DON'T OVER TIGHTEN!**

Caution: make sure connect the hot and cold flexible hose to supply valves correctly.



Warning: The supply valves are not included, please purchase them in plumbshop.

Step 2 Checking and testing



1. Turn the faucet handle all the way on, turn on hot and cold water supply and flush water lines for one minute.
2. Check all connections at arrows for leaks, re-tighten it if necessary.

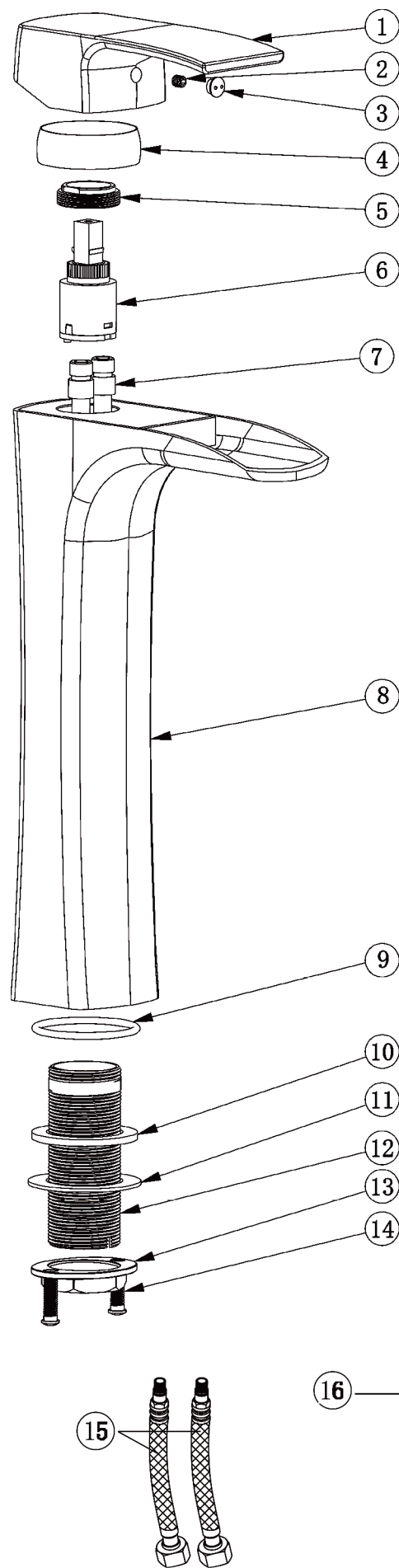


BUT DON'T OVERTIGHTEN

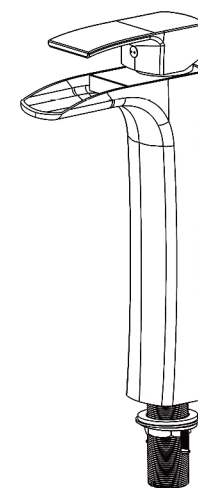
Step 3 Cleaning and care

Daily cleaning and care are required in order to keep the product shining and properly working.

- 1 Clean it with water and dry it with soft cloth.
- 2 Clean the product with gentle liquid or glass cleaner.
- 3 Don't use acid cleaner.
- 4 Don't clean with abrasive material, abrasive paper or knife.



NO.	PART NAME
1	Handle
2	Index
3	Screw
4	Cover
5	Cartridge lock nut
6	Cartridge
7	Inlet hose
8	Body
9	O-ring
10	Threadshank
11	Plastic washer
12	Metal washer
13	Lock nut
14	Index
15	Flexble hose
16	Allen Key

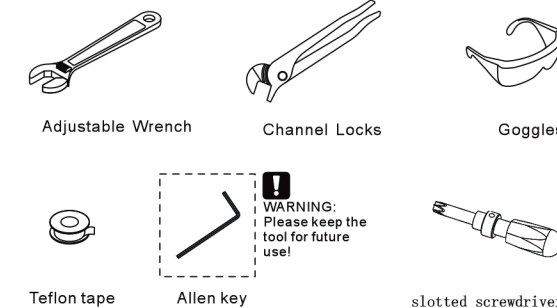


SINGLE LEVER LAVATORY FAUCET

The product is CUPC, NSF and Low-Lead certified

Original certification model code: 110118SP

RECOMMENDED TOOLS



Attention:
for easy installation, you will need:
1. To read all the installation instruction completely before beginning.
2. To read all the warning, attention and maintenance information.
3. To purchase the proper supply lines.

The tools might be applied to the following places:

