

HDS31 SERIES

WALL BUMPER DOORSTOP



Available
Finishes:



US15
Satin Nickel

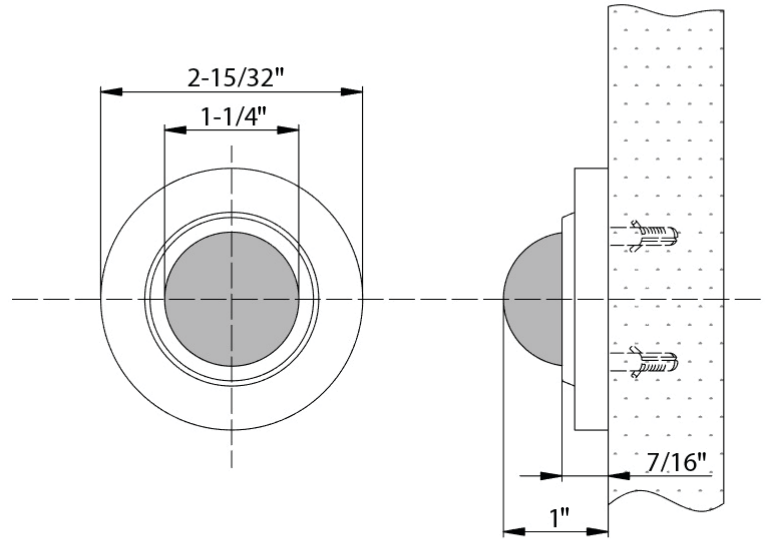


US10B
Oil Rubbed Bronze

FEATURES:

- Protects wall from doorknob impacts
- Use for – Interior and exterior doors
- Projection – 1"
- Includes – Screws and anchors
- Material – Steel, zinc and plastic

Part #	Finish
HDS31US15	Satin Nickel
HDS31US10BC	Oil Rubbed Bronze



WARRANTY:

- One-Year Mechanical and Finish