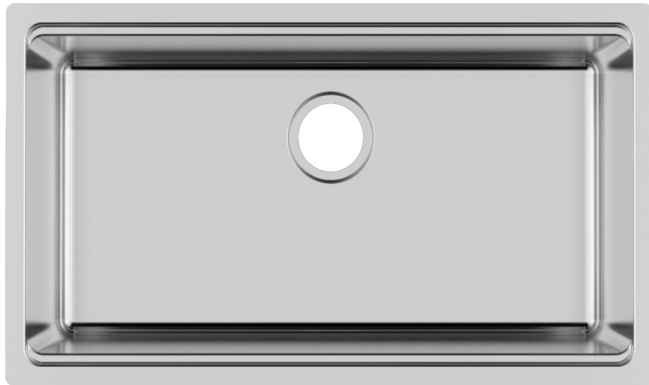


# MISENO

## Specification-sheet

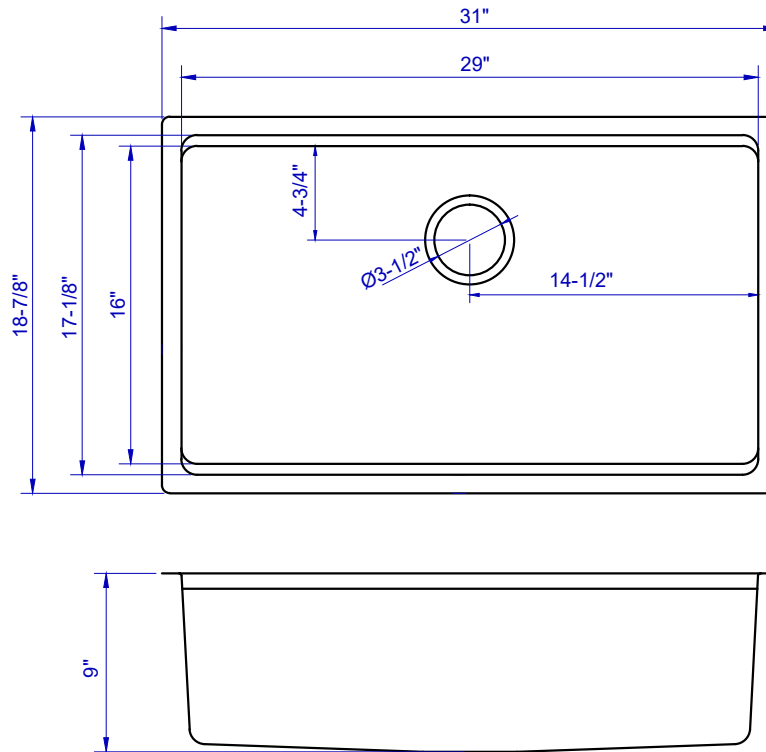
### STAINLESS STEEL SINK

Model: MNO183118WS



### FEATURES

- Material : STAINLESS STEEL 304
- Thickness :18 Gauge
- Overall size : 31" x 18-7/8"
- Bowl size : 29" x 16"
- Bowl depth : 9"
- Drain diameter : 3-1/2"
- Meets ASME/ANSI A112.19.3M
- cUPC/IAPMO listed



### Warranty

MISENO inspects all of its products prior to shipment. Defective products should be returned to place of purchase for replacement. However, if this is not possible, we accept returns on defective product with our written authorization. Returns will be handled by product replacement. Defects or damage caused to product by the consumer are not accepted.

