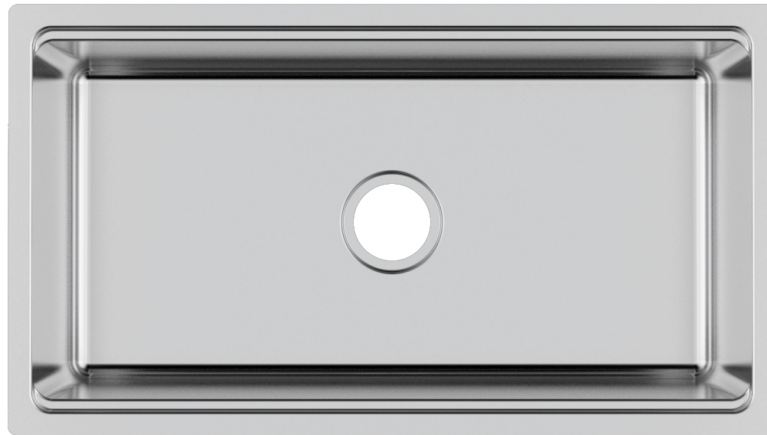


UNDERMOUNT SINK STAINLESS STEEL

Model: MNO183118WS



BEFORE YOU BEGIN

We recommend consulting a professional if you are unfamiliar with installing plumbing fixtures. MISENO accepts no liability for any damage to the plumbing, sink, countertop, or for personal injury during installation.

Observe all local plumbing and building codes.

GETTING STARTED

- Ensure that you have gathered all the required materials that are needed for the installation.
- For solid surface countertop installation only.
- Because the sink specification measurements are approximate and slight variations may occur, we highly recommend performing any cabinet fabrication procedures with the sink on site.
- CAUTION: Metal edges may be sharp! Use caution when handling.

TOOLS AND MATERIALS:



Safety Work
Gloves



Safety
Glasses



Pencil



Drill



Jigsaw



Damp Cloth



Flathead
Screwdriver



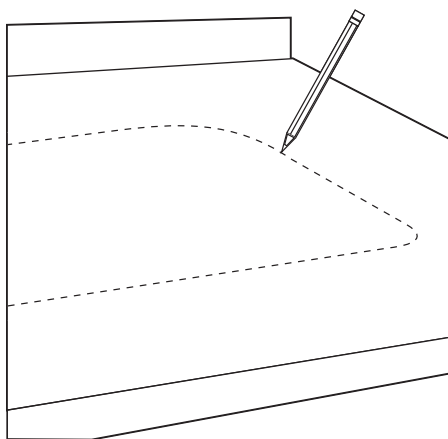
Silicone Sealant
(100% Neutral Cure)

UNDERMOUNT SINK STAINLESS STEEL

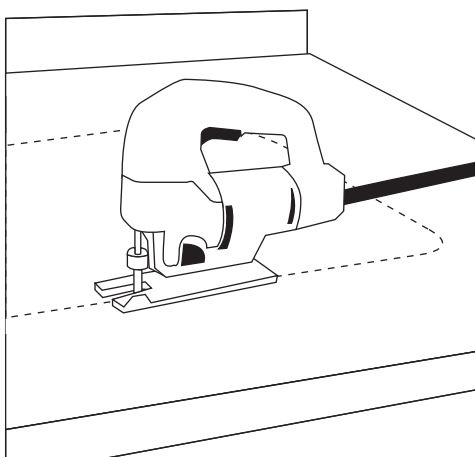
Model: MNO183118WS

INSTALLATION

1. Cut out template and place on countertop. Verify the position and desired fit while observing the front overhang that exists on all countertops.
2. With a pencil, lightly trace along template onto the countertop.



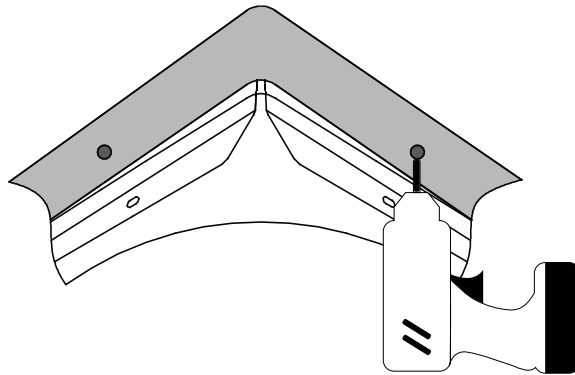
3. Drill a small pilot hole inside the line drawn in Step 2 to allow a starting point for the saw.
4. Carefully cut along the line drawn in Step 2. Contact your countertop fabricator for the best method of cutting your specific countertop material.



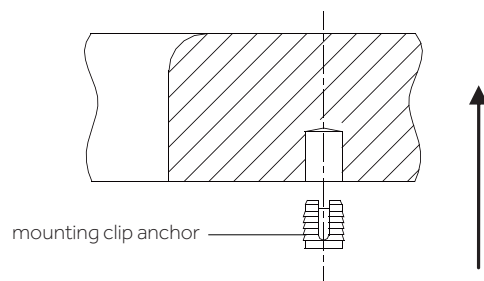
UNDERMOUNT SINK STAINLESS STEEL

Model: MNO183118WS

5. Drill the required faucet holes and install the faucet according to the manufacturer's instructions.
6. Determine placement of sink clip brackets evenly around the sink perimeter. Pre-drill holes according to the method recommended for your countertop material.



7. Place the mounting clip anchors into the pre-drilled countertop holes. If necessary, gently tap to insert.

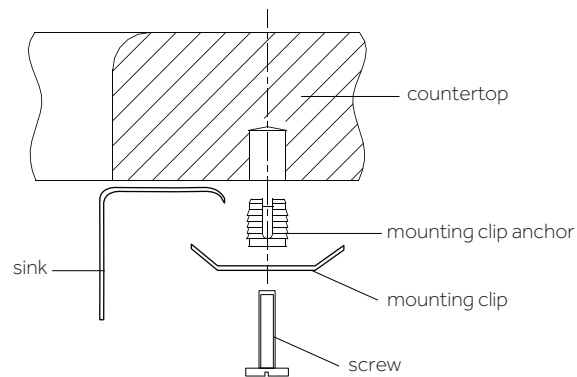


8. Clean the underside of the countertop, ensuring the surface is smooth and free of defects.
9. Apply a bead of silicone sealant along the edge of the underside of the countertop. Position and align sink within opening. Press sink into silicone seal. Wipe off any excess sealant immediately.

UNDERMOUNT SINK STAINLESS STEEL

Model: MNO183118WS

10. Install the mounting clips and tighten until the sink rim is aligned to the countertop. Ensure that the front of the sink is parallel to the countertop. Adjust and retighten if needed. Do not overtighten.



11. Allow the sealant to cure before proceeding.

12. Connect faucet supply lines and drain assembly according to manufacturer's instructions.