

9211715
FLWL100LED30BNORB

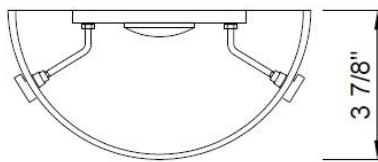
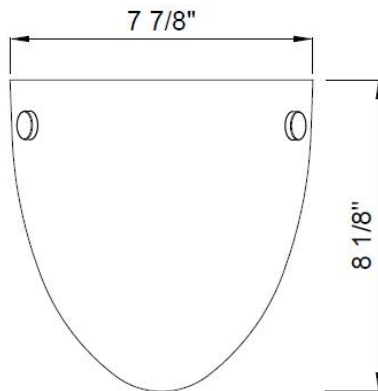


INDOOR LED WALL SCONCE



PRODUCT SPECIFICATIONS

FEATURES	LED Indoor Wall Sconce
Part Number	FLWL100LED30BNORB
Finish	Brushed Nickel/Oil Rubbed Bronze
Shade	Satin Etched
Kelvin Temp (CCT)	3000K
Product Dimensions	7-7/8" W x 8-1/8" H
Extension	3-7/8"
Backplate Dimensions	4-3/4" W x 5-3/8" H
Product Weight	2.05 lbs"
Bulb Type	Integrated LED Module
Bulb Base	n/a
Bulb Included	Yes
LED Type	SMD 2865
CRI	>90
Lumens	680
Efficacy	68 lm/W
Dimmable	Yes
Wattage	10W
Equivalent Wattage	Incandescent - 60W
Voltage	120V
Average hour life	50,000 hrs
Min/Max Ambient Temp	0°C~50°C
Mounting Position	Wall Mount - Up Only
Product Material	Steel, Glass
Location Listing	Damp
Certifications	ETL, Title 24/JA8-2019, FCC



FLWL100LED30BNORB

- LED Indoor Wall Sconce
- 5 Year Warranty
- Uses Integrated 10W LED
- LED Included
- Includes Brushed Nickel and Oil Rubbed Bronze finials
- ADA compliant



SPECIFICATION:

Light Fixture shall be 9211715/FLWL100LED30BNORB, LED Indoor Wall Sconce