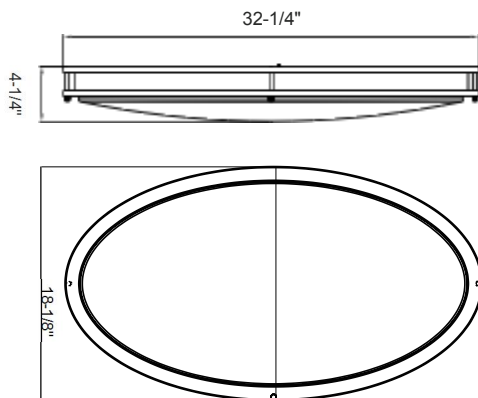


10049912
FLSATLOLEDCTBN



LED SATURN LIGHT

PRODUCT SPECIFICATIONS



FEATURES	LED SATURN LARGE OVAL 5CCT Selectable
Part Number	FLSATLOLEDCTMB
Finish	Matte Black
Shade	White Acrylic
Kelvin Temp (CCT)	CCT selectable-2700K/3000K/3500K/4000K/5000K
Product Dimensions	32-1/4" L x 18-1/8" W x 4-1/4" H
Product Weight	7.3 lb
Bulb Type	Integrated LED Module
Bulb Included	Yes
LED Type	2835
CRI	90
Lumens	2400
Efficacy	71 lm/W
Dimmable	Yes
Wattage	34W
Equivalent Wattage	Incandescent - 150W
Voltage	120-277V
Average hour life	50,000 hrs
Min/Max Ambient Temp	- 20°C ~ 40°C
Product Material	Steel, Acrylic
Location Listing	Damp
Certifications	ETL, Energy Star, Title 24/JA8-2019, FCC

FLSATLOLEDCTMB

- LED Saturn Light
- 5 Year Warranty
- Integrated Led Module
- 5CCT Selectable



SPECIFICATION:

Light Fixture shall be 10049912/FLSATLOLEDCTMB, LED SATURN LARGE OVAL, 5CCT selectable