

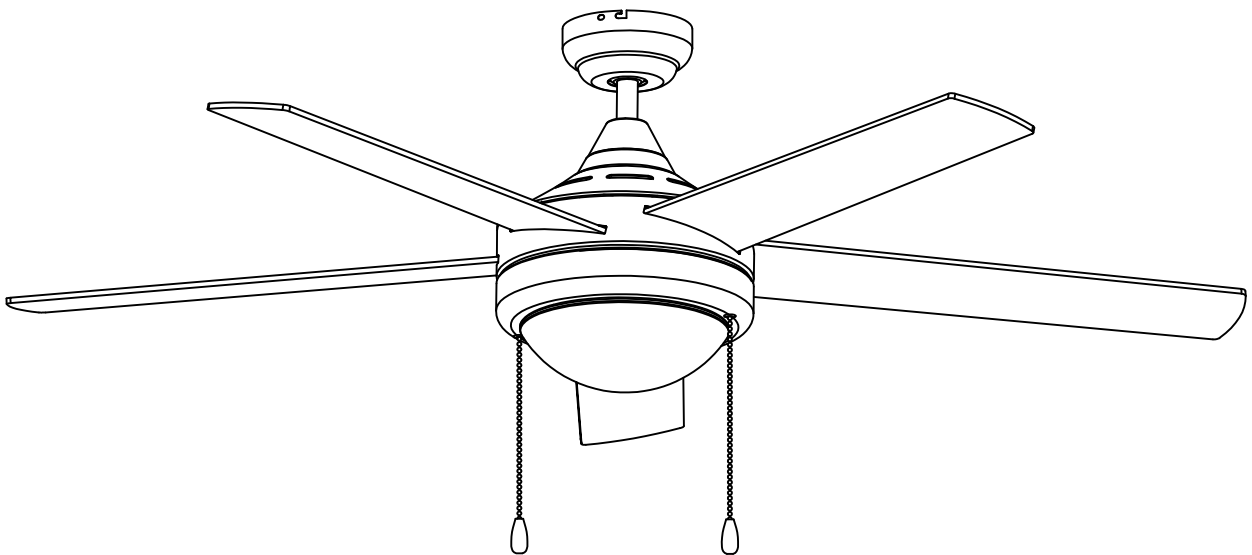
8928738

52" Five-Blade Dual Mount Ceiling Fan



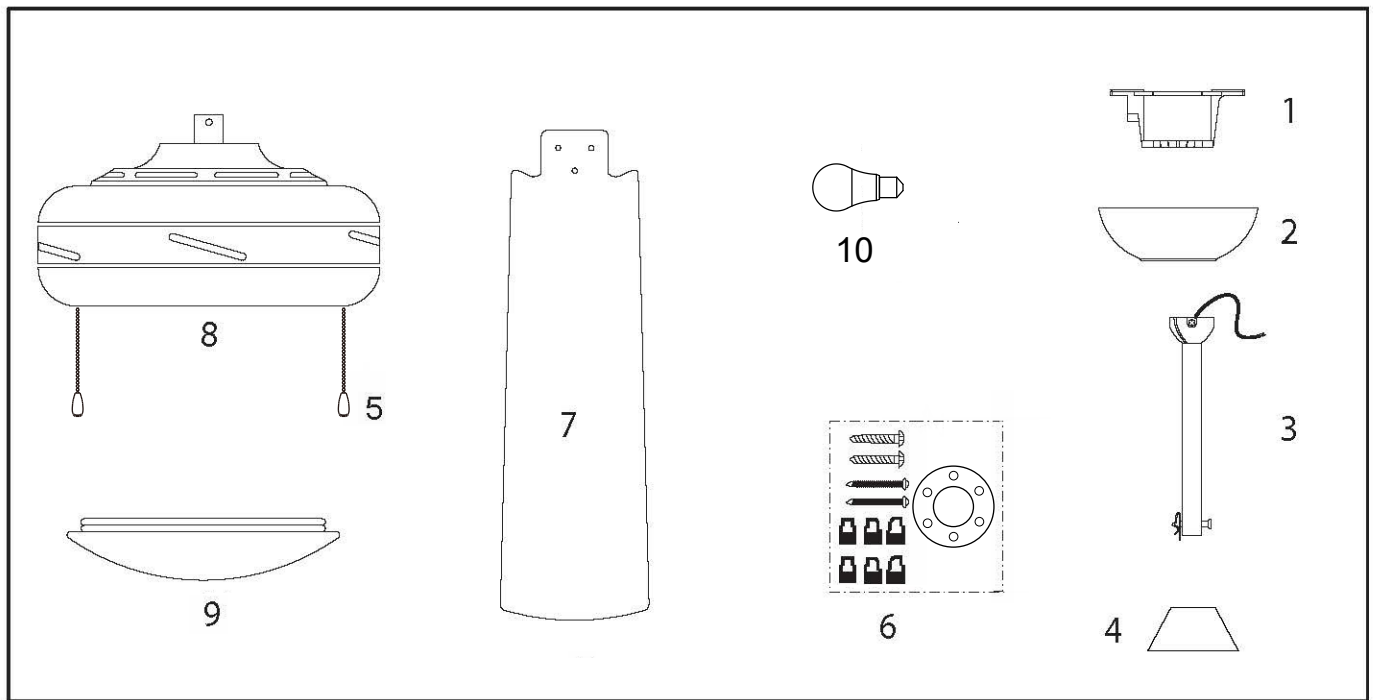
FF525BNSIL

INSTALLATION INSTRUCTIONS



READ AND SAVE THESE INSTRUCTIONS

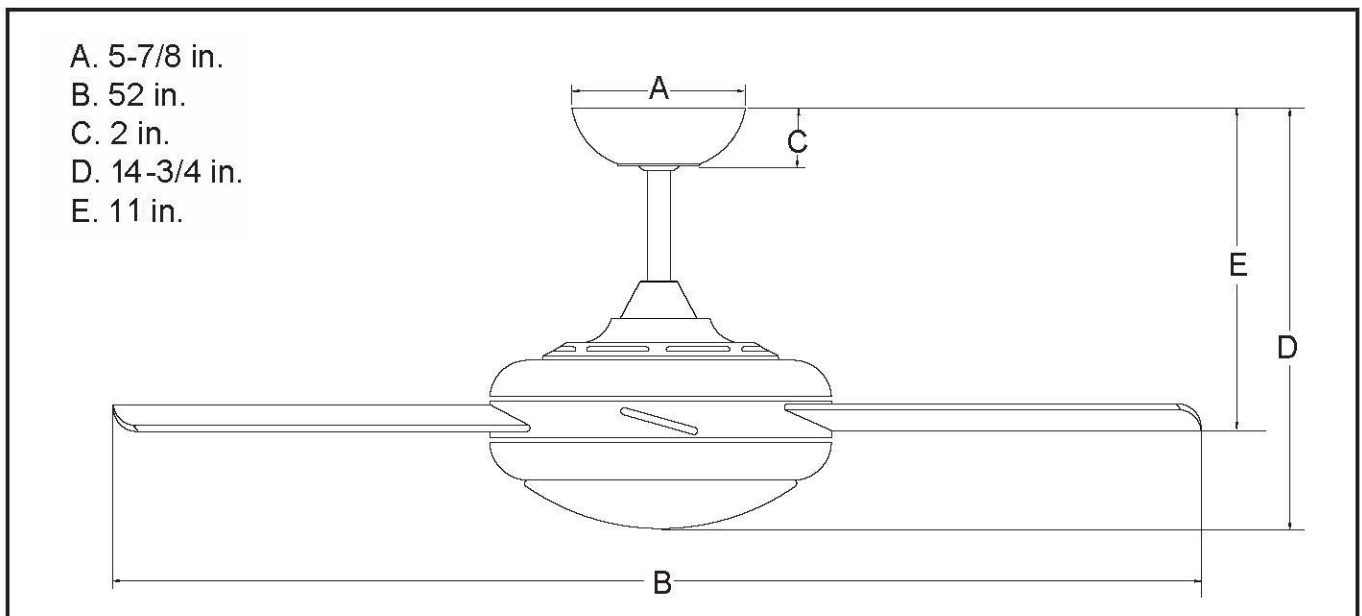
Package Contents:



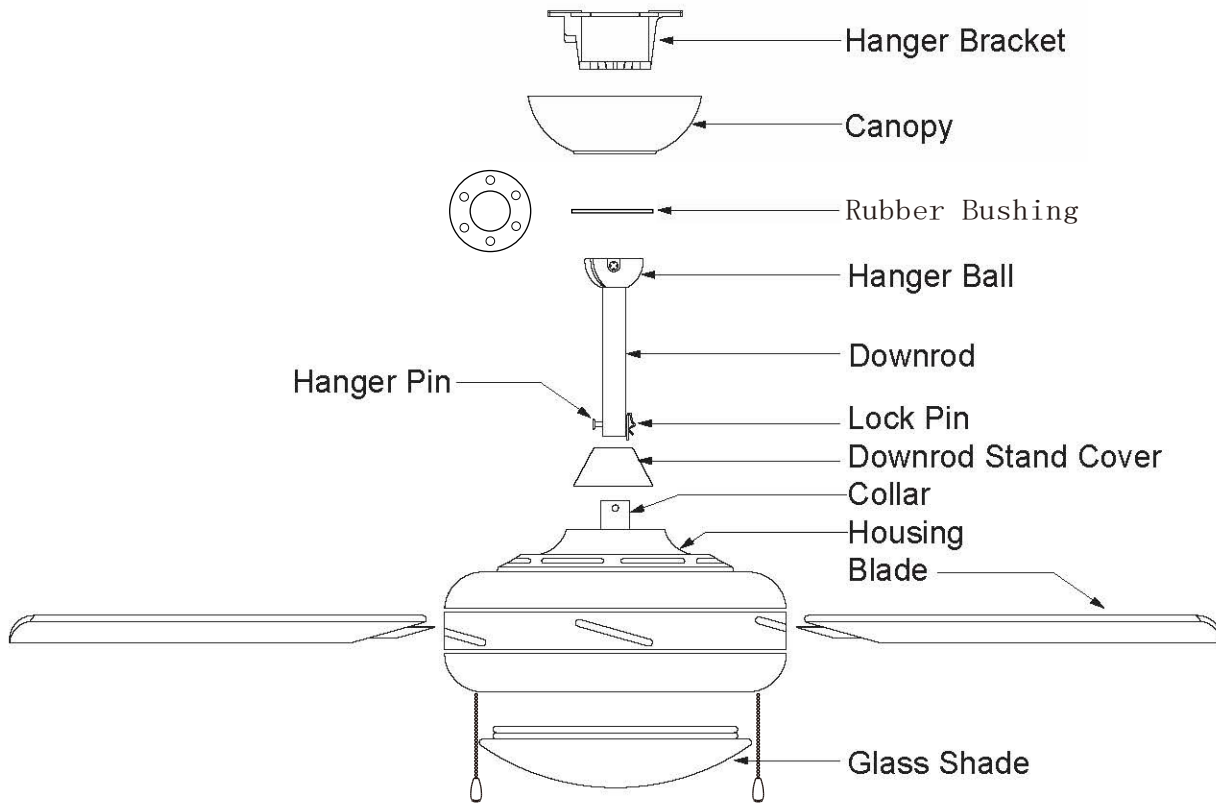
Unpack your fan and check the contents. You should have the following items.

- 1.) Hanger Bracket
- 2.) Canopy
- 3.) Downrod Set (Includes Hanger Ball, 4 in. Downrod, Hanger Pin & Lock Pin)
- 4.) Downrod Stand Cover
- 5.) Pull Chain
- 6.) Assembly Kit
- 7.) Fan Blade (5)
- 8.) Fan Motor Assembly
- 9.) Glass Shade
- 10.) LED bulb(2*E26 9.5W)

Dimension Reference



Standard Mounting Exploded View Detail



Safety Instructions

READ ALL SAFETY INFORMATION AND INSTALLATION INSTRUCTIONS BEFORE YOU BEGIN INSTALLING THE FAN. SAVE INSTRUCTIONS.

- All screws on the fan must be checked and re-tightened where necessary before installation.
- Before changing the fan direction, turn off the fan and wait for the fan blades to stop completely.
- If a stationary appliance is not provided with a supply cord and a plug, or with other means for disconnection from the main supply having a contact separation of at least 3 mm in all poles, then the means for disconnection must be incorporated in the fixed wiring in accordance with the wiring rules.
- NOTE: The safeguards provided by these safety instructions and by any separate installation instructions are not meant to cover all possible conditions and situations that may occur. It must be understood that common sense, caution and care are factors which can not be built into this product. These factors must be supplied by the person(s) installing, caring for and operating the fan.

WARNING

- TO AVOID RISK OF ELECTRIC SHOCK, BE SURE TO SHUT OFF POWER AT THE MAIN FUSE OR CIRCUIT BREAKER BOX BEFORE INSTALLING OR SERVICING THIS FIXTURE. TURNING OFF THE ELECTRICAL POWER BY USING THE LIGHT SWITCH IS NOT SUFFICIENT TO PREVENT ELECTRICAL SHOCK.
- TO REDUCE THE RISK OF INJURY, INSTALL THE FAN SO THAT THE BLADES ARE AT LEAST 7 FEET (2.1 METERS) ABOVE THE FLOOR AND AT LEAST 18 INCHES (0.5 METERS) FROM THE TIP OF THE BLADES TO THE WALL.
- TO REDUCE THE RISK OF FIRE, ELECTRIC SHOCK, OR PERSONAL INJURY, MOUNT TO AN OUTLET BOX MARKED "ACCEPTABLE FOR FAN SUPPORT" AND USE MOUNTING SCREWS PROVIDED WITH THE OUTLET BOX.
- THE INSTALLATION MUST BE IN ACCORDANCE WITH THE NATIONAL ELECTRICAL CODE, ANSI/NFPA 70-1999 AND LOCAL CODES. IF YOU ARE UNFAMILIAR WITH INSTALLING OR SERVICING ELECTRICAL WIRING, SEEK THE SERVICES OF A QUALIFIED LICENSED ELECTRICIAN.
- TO REDUCE THE RISK OF FIRE OR ELECTRIC SHOCK, DO NOT USE THIS FAN WITH ANY SOLID-STATE SPEED CONTROL DEVICE.
- TO REDUCE THE RISK OF FIRE, ELECTRIC SHOCK, OR PERSONAL INJURY, MOUNT TO OUTLET BOX MARKED ACCEPTABLE FOR FAN SUPPORT OF 15.9 KG (35 LBS) OR LESS AND USE MOUNTING SCREWS PROVIDED WITH THE OUTLET BOX
- TO REDUCE THE RISK OF PERSONAL INJURY, DO NOT BEND THE BLADE BRACKETS WHEN INSTALLING THE BRACKETS, BALANCING THE BLADES OR CLEANING FAN. DO NOT INSERT FOREIGN OBJECTS IN BETWEEN ROTATING FAN BLADES.

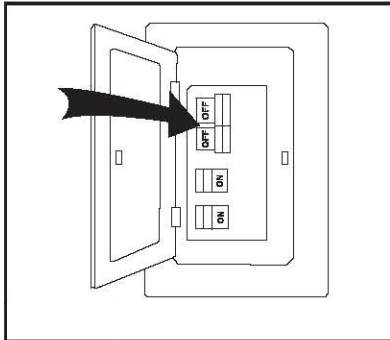
INSTALLATION INSTRUCTIONS

IMPORTANT:

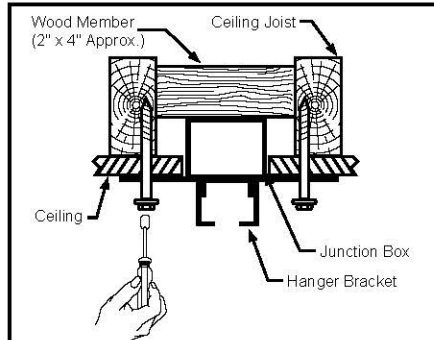
- BEFORE YOU BEGIN INSTALLING THE FAN, CAREFULLY READ ALL INFORMATION ON THE SEPARATE SHEET "SAFETY INSTRUCTIONS" AS WELL AS THE "INSTALLATION INSTRUCTIONS" ON THE FOLLOWING PAGES. IF IN DOUBT, CONSULT A QUALIFIED ELECTRICIAN.
- THIS FAN MUST BE INSTALLED WITH A WALL CONTROL/SWITCH.
- SAVE ALL INSTRUCTIONS.

NOTE: The fan weight is 20 lb (9 kg). Be sure the outlet box you are using is securely attached to the building structure and can support the full weight of the fan. Failure to do so can result in serious injury.

Installation Steps:

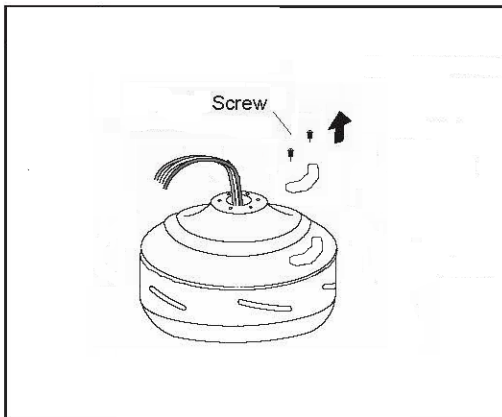


Turn OFF the electric power at the main fuse or circuit breaker box.

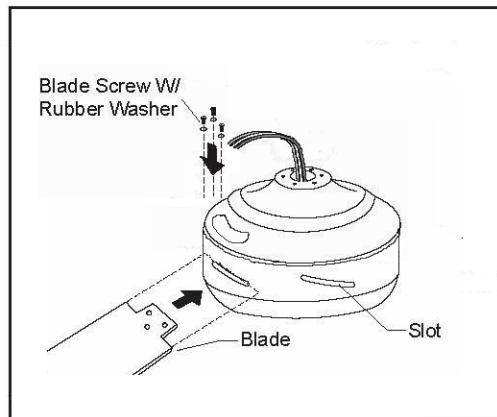


Tighten the hanger bracket to the outlet box with two mounting screws. (**Make sure the outlet box is securely installed so that it will be able to support at least the fan weight.**) Attach the safety cable hook to the ceiling with the dry wall screw and washer, and make sure the safety cable hook is covered by the fan canopy.

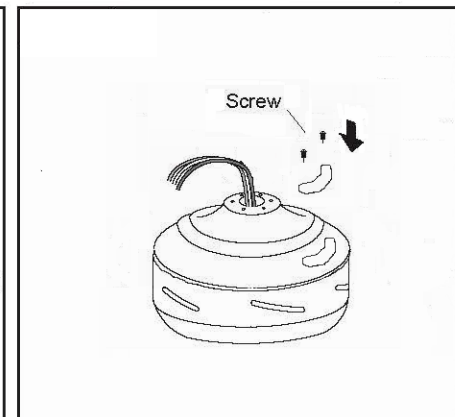
WARNING: MOUNT ONLY TO AN OUTLET BOX MARKED "ACCEPTABLE FOR FAN SUPPORT"!



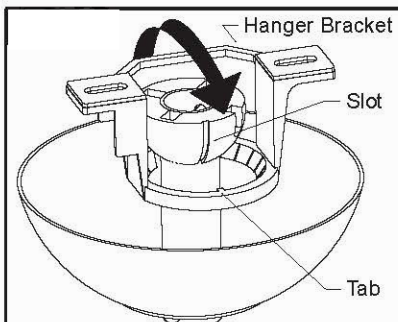
Loosen the screws and remove the rectangular cover.



Tighten the blade screw with rubber washer, ensure the blades assembly into blade housing.



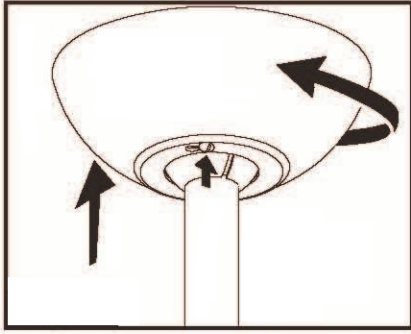
Tighten the screws of rectangular cover.



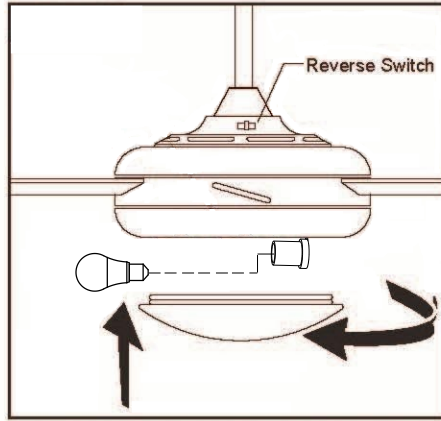
Hang the fan on Hanger Bracket, and make sure the slot of Hanger Ball is snapped into the chip of Hanger Bracket exactly.

After making the wire connections, the wires should be spread apart with the grounded conductor and the equipment-grounding conductor on one side of the outlet box and the ungrounded conductor on the other side of the outlet box.

The splices after being made should be turned upward and pushed carefully up into the outlet box.



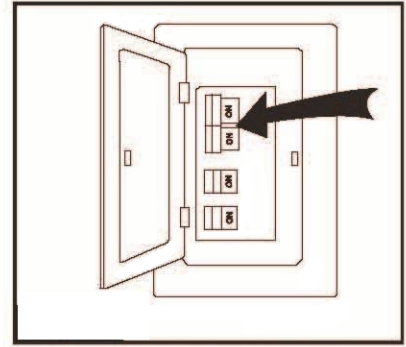
Tuck the Antenna into the Canopy. Push the Canopy upwards, lining up the keyholes on the bottom with the screws on the Hanger Bracket. Twist the Canopy to lock it in place, then tighten the screws to secure it.



1. Install the bulb (included) to the sockets.
2. Twist the glass shade to light panel in clockwise direction until glass shade is locked in place.

Note: Please ensure the glass shade is twisted in a right direction and locked in place.

CAUTION: To Reduce The Risk Of Electric Shock, Disconnect The Electrical Supply Circuit To The Fan Before Installing Light Kit.



Turn ON the electric power at the main fuse or circuit breaker box.

OPERATION

Turn fan completely off before moving the reverse switch. Set reverse switch to recirculate air depending on the season:

-LEFT position in summer (diagram 2)

-RIGHT position in winter (diagram 3)

A ceiling fan will allow you to raise your thermostat setting in summer and lower your thermostat setting in winter without feeling a difference in your comfort. Important: Reverse RIGHT for fan to function. If the reverse switch is set in the middle position (diagram 4), fan will not operate.

Attach pull chain extensions supplied or custom pull chain extensions (sold separately) to ends of the pull chains.

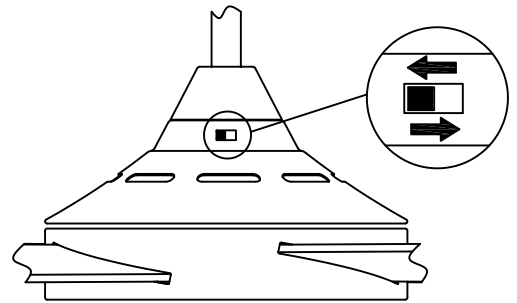


diagram 1

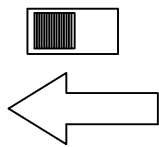


diagram 2

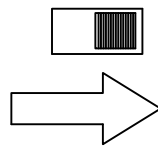


diagram 3

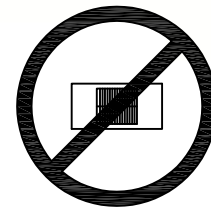
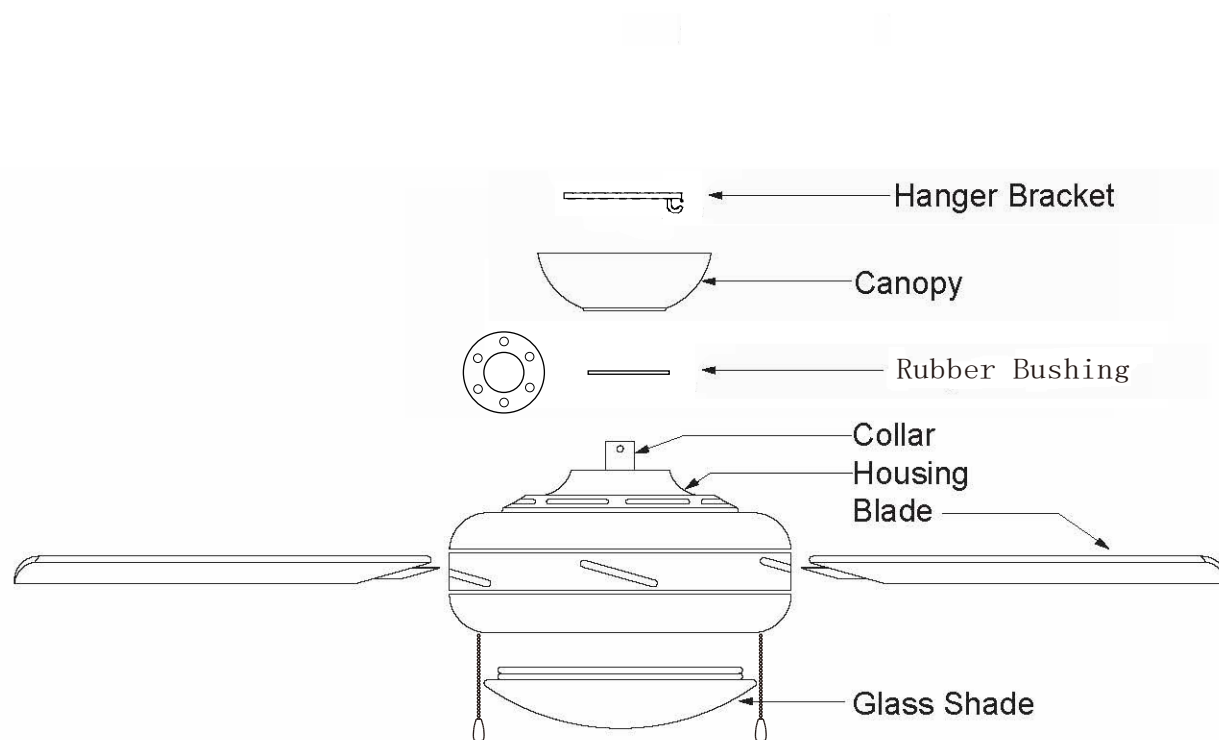
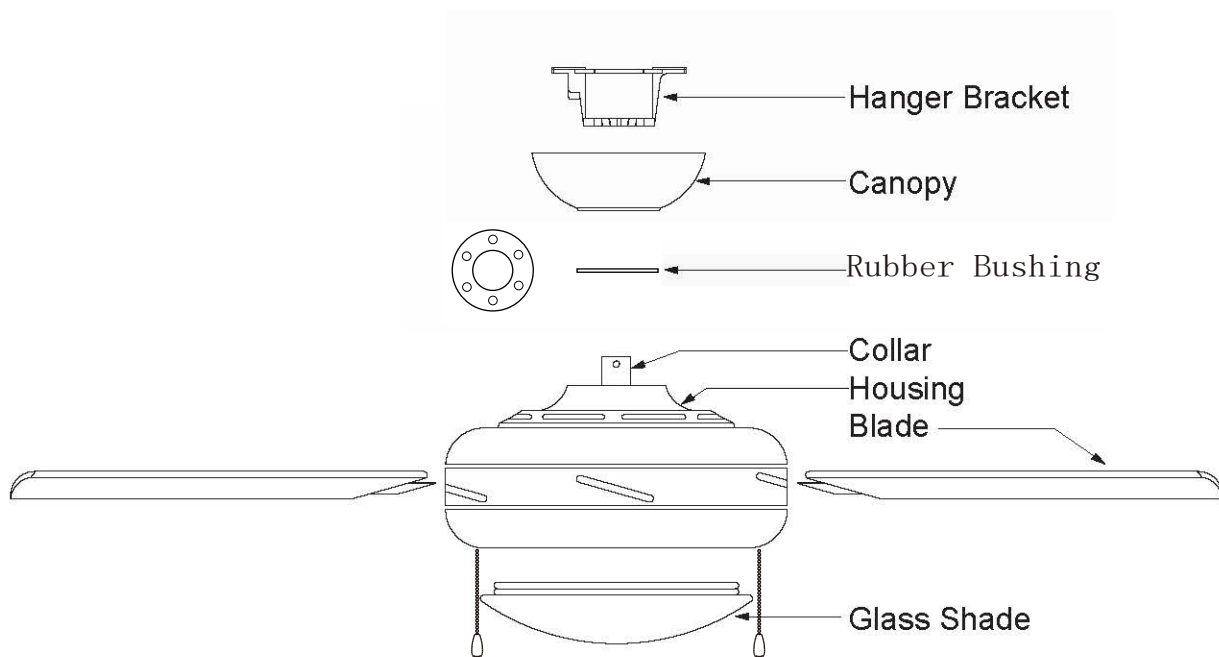


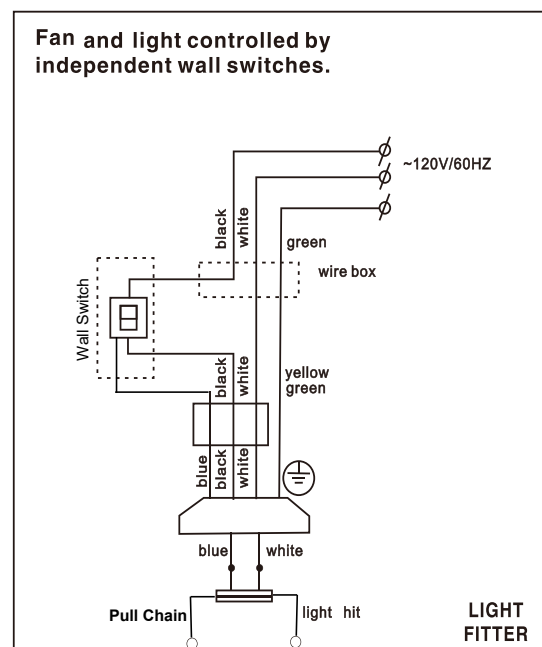
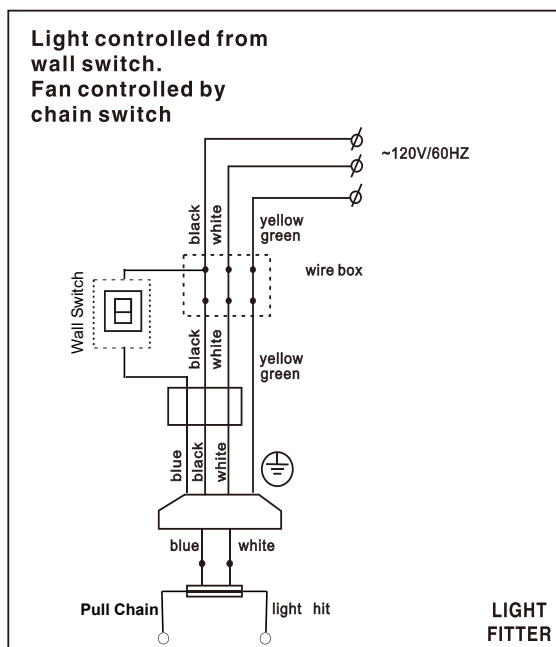
diagram 4

Hugger Mounting Exploded View Detail



ELECTRICAL CONNECTIONS

- Four wires are connected to the top of the fan.
 - Black: "Hot" Power for the fan.
 - Blue: "Hot" Power for the Light
 - White: "Common" For the fan and light
 - Green: Ground Wire
- If fan and light are to be connected to the same circuit, the black and blue wires should be connected together to the black wire in the ceiling using a wire nut to make the connection. If a light kit is not being installed, the blue wire should be left unconnected.
- The white wire from the fan should be connected to the white wire in the ceiling, using a wire nut to make the connection.
- The green wire from the fan should be connected to the ground wire in the ceiling, using a wire nut to make the connection.
- Tuck your completed wiring back up into the electrical box.



WARNING: To avoid possible electrical shock, be sure electricity is turned off at the main fuse box before wiring.

NOTE: If you are not sure the electrical box and fan are grounded, contact a licensed Electrician for advice. They must be grounded for safe operation.

WARNING: Each wire nut (wire connector) supplied with this fan is designed to accept up to one 12 gauge house wire and two wire from the fan. If you have larger than 12 gauge house wiring or more than one house wire to connect to the fan wiring, consult an Electrician for the proper size wire nut to use.

WARNING: Check to see that all connections are tight, and that no bare wire is visible at the wire nuts.

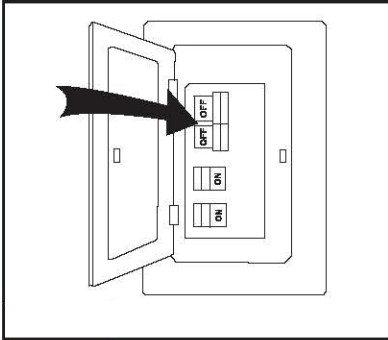
INSTALLATION INSTRUCTIONS

IMPORTANT:

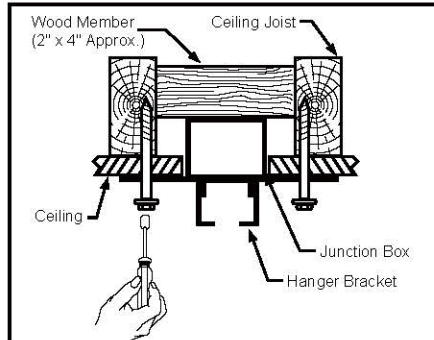
- BEFORE YOU BEGIN INSTALLING THE FAN, CAREFULLY READ ALL INFORMATION ON THE SEPARATE SHEET "SAFETY INSTRUCTIONS" AS WELL AS THE "INSTALLATION INSTRUCTIONS" ON THE FOLLOWING PAGES. IF IN DOUBT, CONSULT A QUALIFIED ELECTRICIAN.
- THIS FAN MUST BE INSTALLED WITH A WALL CONTROL/SWITCH.
- SAVE ALL INSTRUCTIONS.

NOTE: The fan weight is 20 lb (9 kg). Be sure the outlet box you are using is securely attached to the building structure and can support the full weight of the fan. Failure to do so can result in serious injury.

Installation Steps:

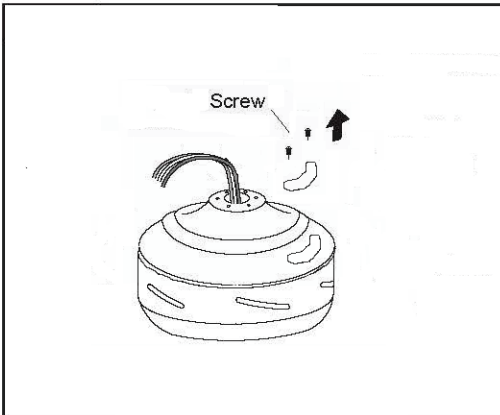
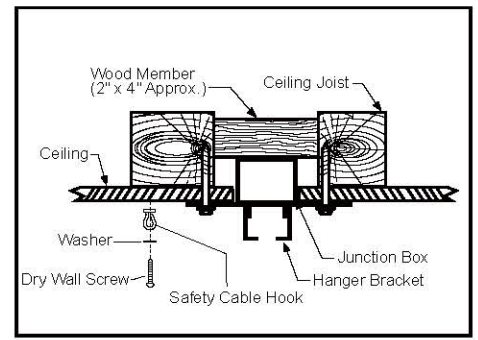


Turn OFF the electric power at the main fuse or circuit breaker box.

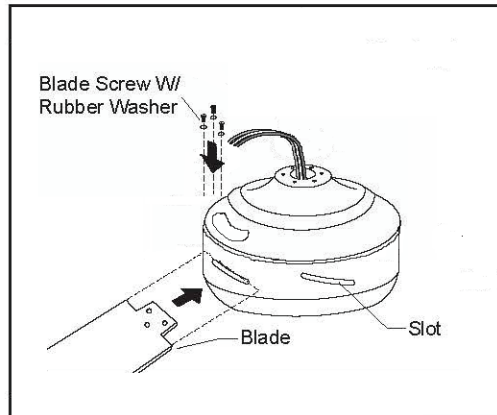


Tighten the hanger bracket to the outlet box with two mounting screws. **(Make sure the outlet box is securely installed so that it will be able to support at least the fan weight.)** Attach the safety cable hook to the ceiling with the dry wall screw and washer, and make sure the safety cable hook is covered by the fan canopy.

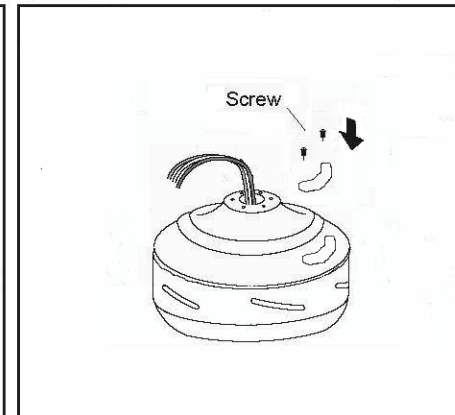
WARNING: MOUNT ONLY TO AN OUTLET BOX MARKED "ACCEPTABLE FOR FAN SUPPORT"!



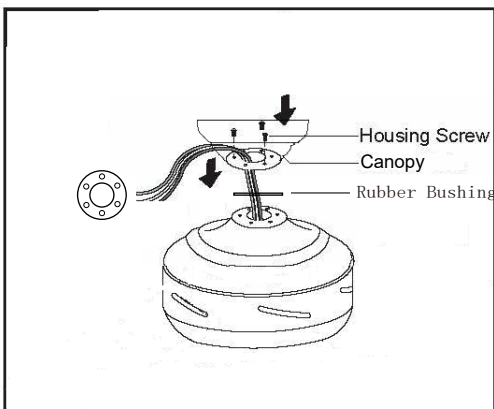
Loosen the screws and remove the rectangular cover.



Tighten the blade screw with rubber washer, ensure the blades assembly into blade housing.

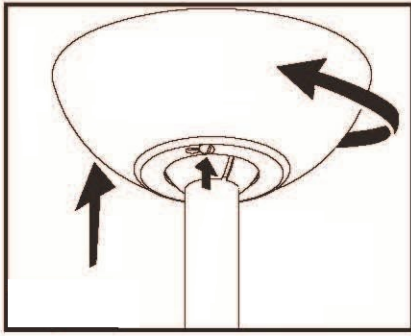


Tighten the screws of rectangular cover.

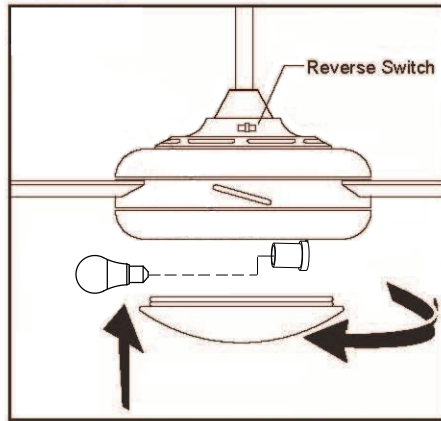


Install canopy into motor with screws.

After making the wire connections, the wires should be spread apart with the grounded conductor and the equipment-grounding conductor on one side of the outlet box and the ungrounded conductor on the other side of the outlet box. The splices after being made should be turned upward and pushed carefully up into the outlet box.



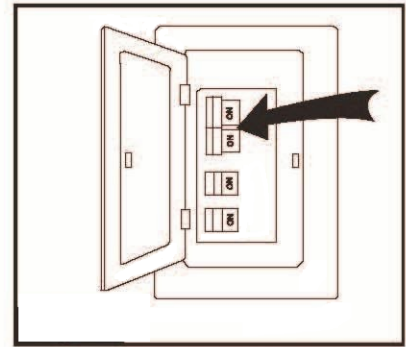
Tuck the Antenna into the Canopy. Push the Canopy upwards, lining up the keyholes on the bottom with the screws on the Hanger Bracket. Twist the Canopy to lock it in place, then tighten the screws to secure it.



1. Install the bulb(included) to the sockets.
2. Twist the glass shade to light panel in clockwise direction until glass shade is locked in place.

Note: Please ensure the glass shade twisted in a right direction and locked in place.

CAUTION: To Reduce The Risk Of Electric Shock, Disconnect The Electrical Supply Circuit To The Fan Before Installing Light Kit.



Turn ON the electric power at the main fuse or circuit breaker box.

OPERATION

Turn fan completely off before moving the reverse switch
Set reverse switch to recirculate air depending on the season:

-LEFT position in summer(diagram 2)

-RIGHT position in winter(diagram 3)

A ceiling fan will allow you to raise your thermostat setting in summer and lower your thermostat setting in winter without feeling a difference in your comfort. Important: Reverse RIGHT for fan to function If the reverse switch is set in the middle position (diagram 4) . fan will not operate.

Attach pull chain extensions supplied or custom pull chain extensions (sold separately) to ends of the pull chains .

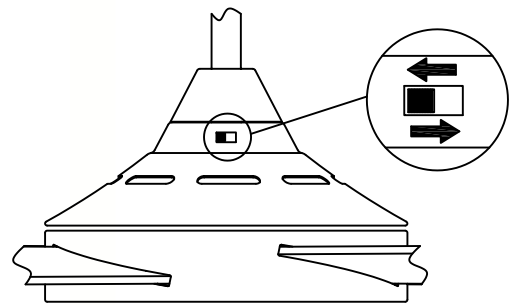


diagram 1

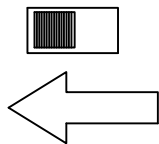


diagram 2

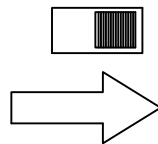


diagram 3

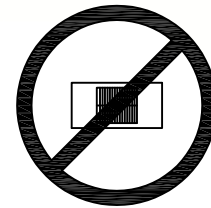


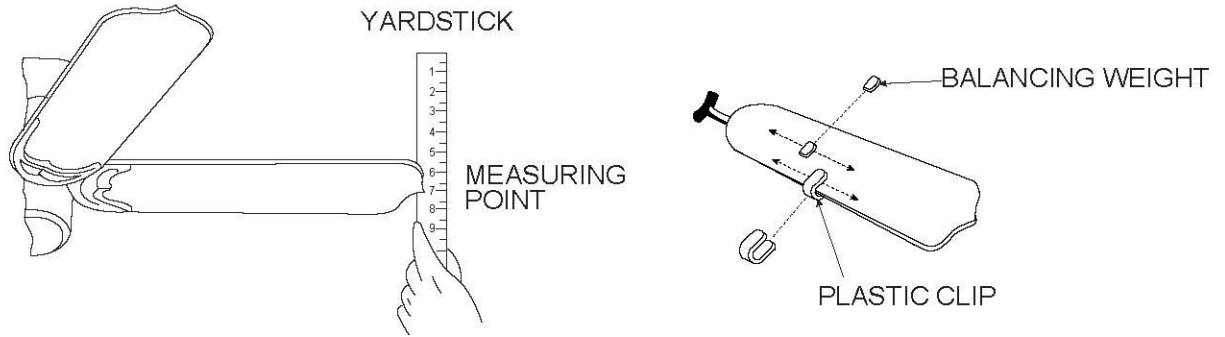
diagram 4

Trouble Shooting Guide

If you have difficulty operating your new ceiling fan, it may be the result of incorrect assembly, installation or wiring. In some cases, these installation errors may be mistaken for defects. If you experience any faults, please check this Trouble Shooting Guide. If a problem cannot be remedied or you are experiencing difficulty in installation, please call our Customer Service Department.

PROBLEM	SUGGESTED REMEDY
1. If fan does not start:	<ol style="list-style-type: none">1. Check main and branch circuit fuses or circuit breakers.2. Check line wire connections to fan and switch wire connections in switch housing. CAUTION: Make sure main power is turned off.3. Make sure forward/reverse switch is firmly in up or down position. Fan will not operate when switch is in the middle.4. Make sure that the wall controller is turned "ON".
2. If fan sounds noisy:	<ol style="list-style-type: none">1. Make sure all screws in motor housing are snug. (not over tightened)2. Make sure the screws which attach the fan blade holder to the motor are tight.3. Make sure wire nut connectors in switch housing are not rattling against each other or against the interior wall of the switch housing. CAUTION: Make sure main power is turned off before entering switch housing.4. If using an optional ceiling fan light kit, check to be sure the screws securing the glassware are finger tight. Check to be sure light bulb is tight in socket and not touching glass shade(s). If vibration persists from glass, remove glass and install a 1/4 in. wide rubber band on glass neck to act as an insulator. Replace glass and tighten screws against rubber band.5. Some fan motors are sensitive to signals from Solid State variable speed controls. DO NOT USE a Solid State variable speed control.6. Allow "break-in" period of 24 hours. Most noises associated with a new fan will disappear after this period.
3. If fan wobbles:	<p>All blades are weighed and grouped by weight. Natural woods vary in density which could cause the fan to wobble even though all blades are weight-matched. The following procedures should eliminate most of the wobble. Check for wobble after each step.</p> <ol style="list-style-type: none">1. Check that all blades are screwed firmly into blade holders.2. Check that all blade holders are tightened securely to motor.3. Make sure that canopy and mounting bracket are tightened securely to ceiling junction box and junction box is mounted firmly to ceiling joist.4. Most fan wobble problems are caused when blade levels are unequal. Check this level by selecting a point on the ceiling above the tip of one of the blades. Keeping measure within 1/8 in. rotate the fan until the next blade is positioned for measurement. repeat for each blade. If all blade levels are not equal, you can adjust blade levels by the following procedure. To adjust a blade tip down, insert a washer (not supplied) between the blade and blade holder at the screw closest to the motor. To adjust a blade tip up, insert washer (not supplied) between the blade and blade holder at the two screws farthest from the motor.5. If blade wobble is still noticeable, interchanging two adjacent (side by side) blades can redistribute the weight and possibly result in smoother operation.
4. If light does not work:	<ol style="list-style-type: none">1. Check blue wire from fan to make sure it is connected to hot wire from house.2. Check for loose or disconnected wires in fan switch housing.3. Check for loose or disconnected wires in light kit.4. Check for faulty light bulbs. CAUTION: Make sure main power is turned off before entering switch housing.5. If the fan light shuts off shortly after being switched on, it may be due to excessive current demand. Turn off power to the fan and replace the light bulbs with lower wattage bulbs. Turn on power to the fan, using the pull chain, wall switch, or remote control (whichever is installed on the particular fan).

DYNAMIC BLADE BALANCING KIT



PREFACE

Your ceiling fan may sometimes have wobbling problems when operating due to irregularity in the blades or the blade holders. Also, improper assembly in the mounting system or crooked bearings may cause some additional problems. This balancing kit can be used to fix wobbling problems.

DYNAMIC BLADE BALANCING KIT FOR CEILING FANS

1. Make certain that all blades are firmly screwed into the blade holder.
2. Make sure that all blade holders are firmly secured to the motor housing and check that the pitch of blade holders are all the same.
3. By looking up at the fan from below, check and be certain that none of the blade holders are bent and that none of the blades are out of position. A correction can be made by very gently bending the blade holder back into position.
4. Use a yardstick to check the blade tracking. Put the yardstick up against the ceiling vertically and against the outside leading edge of a blade. Note the distance of the edge of blade to the ceiling. Carefully turn the blades slowly by hand to check the remaining blades. If the blade is not in alignment, the blade holder may be gently bent up or down to be in line with the other blades.

After following all the steps and if the wobbling problem is not solved, a dynamic balancing needs to be done by balancing kit. Follow the procedure listed below:

- Turn the fan on and adjust the speed control (usually high speed) setting to the speed which creates the greatest wobble.
- Turn the fan off. Select one blade and place the balance clip on it, halfway between the blade holder and the blade tip on the rear edge of the blade.
- Turn the fan on. Watch to see if the wobble is improved or worsened. Turn the fan off again and move the clip to another blade and test again. Repeat this process with all blades and then note the blade which is the most improved.
- Move the clip back to the blade which showed the most improvement. Move the clip inward and outward on this blade and operate the fan to find the position where the clip gives the most improvement.
- Next remove the clip and install a balancing weight to the top of the blade along the centerline near the point where the clip was positioned. Use a sharp knife or razor to separate the weights.

Caution: Stay clear of the blades. If the clip, for any reason, is not secure, injury could result .

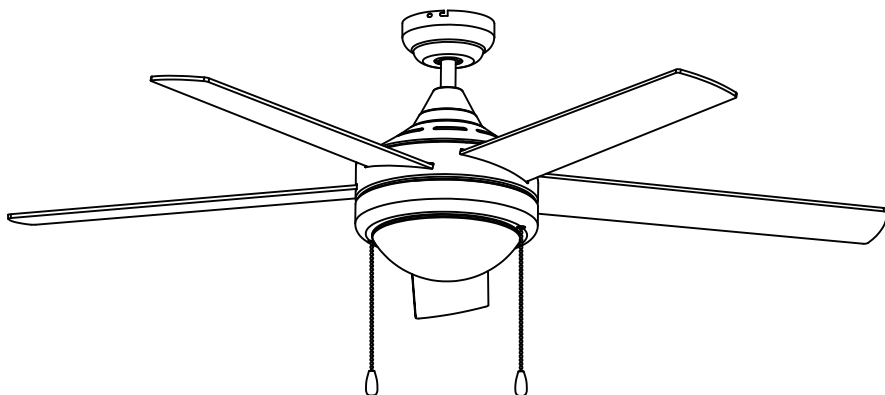
8928738

Ventilador de techo dual con cinco aspas de 52" (132 cm)



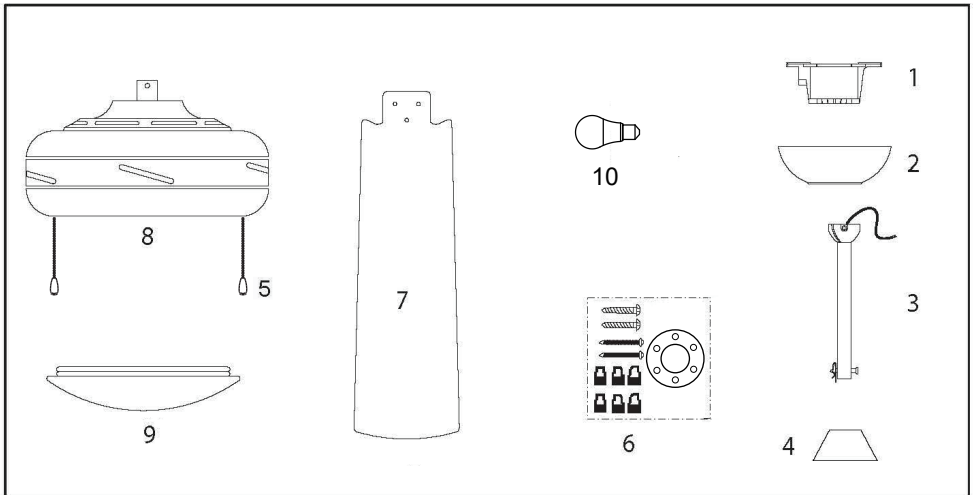
FF525BNSIL

INSTRUCCIONES DE INSTALACIÓN



LEA Y GUARDE ESTAS INSTRUCCIONES

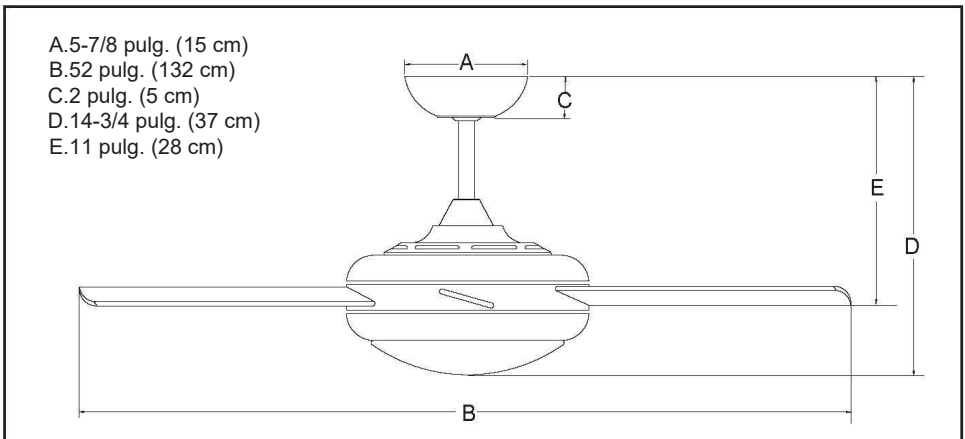
Contenido del paquete



Desembale el ventilador y verifique el contenido. Debe tener los siguientes artículos.

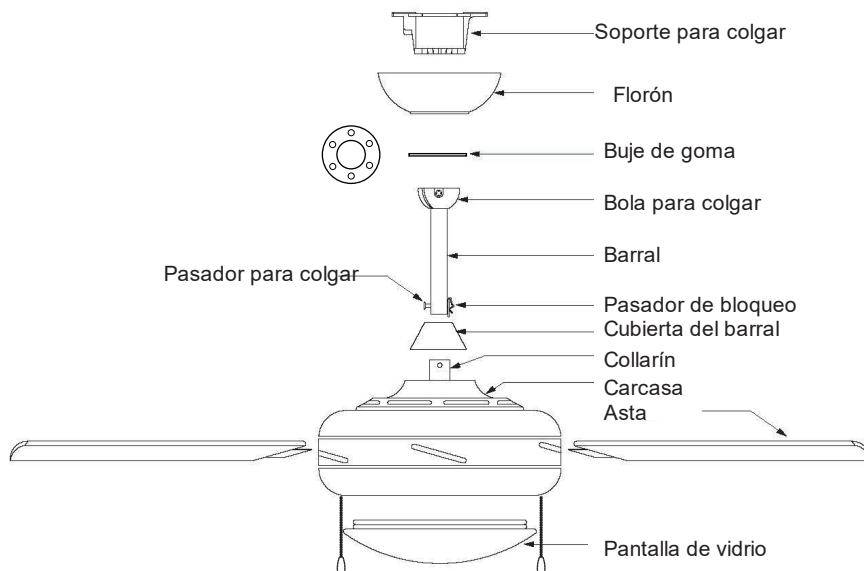
- 1.) Soporte para colgar
- 2.) Florón
- 3.) Juego de barra (incluye la bola para colgar, barra de 4 pulg. (10 cm), pasador para colgar y
- 4.) pasador de bloqueo)
- 5.) Cubierta del barra
- 6.) Interruptor de cadena
- 7.) Kit de montaje
- 8.) Asta de ventilador (5)
- 9.) Conjunto del motor del ventilador
- 10.) Pantalla de vidrio
- 11.) Bombilla LED (2*E26 9.5W)

Dimensiones de referencia



Montaje estándar

Detalle de la vista despiezada



Instrucciones de seguridad

LEA TODA LA INFORMACIÓN DE SEGURIDAD Y LAS INSTRUCCIONES DE INSTALACIÓN ANTES DE COMENZAR LA INSTALACIÓN DEL VENTILADOR. GUARDE LAS INSTRUCCIONES.

- Se deben controlar todos los tornillos del ventilador y volver a ajustar antes de la instalación, si es necesario.
- Antes de cambiar la dirección del ventilador, apague el ventilador y espere que las astas se detengan completamente.
- Si un electrodoméstico estático no se provee con un cable de alimentación y un enchufe, o con otro medio para desconectarlo de la alimentación principal que tenga una separación de contacto de al menos 3 mm en todos los polos, entonces se debe incorporar el medio de desconexión en el cableado fijo de acuerdo con las reglas de cableado.
- **NOTA:** Las protecciones provistas por estas instrucciones de seguridad y por cualquier instrucción de instalación separada, no tienen la intención de cubrir todas las posibles condiciones que pueden ocurrir. Se debe comprender que el sentido común, la precaución y el cuidado son factores que no se pueden incorporar en este producto. Esto factores los deben proporcionar las personas que instalen, cuiden y operen el ventilador.

ADVERTENCIA:

- PARA EVITAR EL RIESGO DE CHOQUE ELÉCTRICO, ASEGÚRESE DE DESCONECTAR LA ENERGÍA EN EL FUSIBLE PRINCIPAL O LA CAJA DEL DISYUNTOR ANTES DE HACER LA INSTALACIÓN O EL MANTENIMIENTO DE ESTE DISPOSITIVO. DESCONECTE LA ENERGÍA ELÉCTRICA CON EL INTERRUPTOR DE LUZ NO ES SUFICIENTE PARA EVITAR UN CHOQUE ELÉCTRICO.
- PARA REDUCIR EL RIESGO DE LESIONES, INSATALE EL VENTILADOR DE MANERA QUE LAS ASTAS ESTÉN A 7 PIES (2.1 METROS) DEL PISO Y AL MENOS 18 PULGADAS (0.5 METROS) DESDE LA PUNTA DE LAS ASTAS A LA PARED.
- PARA REDUCIR EL RIESGO DE INCENDIOS, CHOQUE ELÉCTRICO O LESIONES PERSONALES, MONTE LA CAJA DE SALIDA DE CABLES MARCADA "ACEPTABLE PARA SOPORTAR UN VENTILADOR" Y USE TORNILLOS DE MONTAJE PROVISTOS CON LA CAJA DE SALIDA DE CABLES.
- LA INSTALACIÓN SE DEBE HACER SEGÚN EL CÓDIGO ELÉCTRICO, ANSI/NFPA 70-1999 Y LOS CÓDIGOS LOCALES. SI NO SABE CÓMO INSTALAR O HACER EL SERVICIO TÉCNICO DEL CABLEADO ELÉCTRICO, BUSQUE LOS SERVICIOS DE UN ELECTRICISTA CALIFICADO.
- PARA REDUCIR EL RIESGO DE INCENDIO O DESCARGA ELÉCTRICA, NO USE ESTE VENTILADOR CON NINGÚN DISPOSITIVO DE CONTROL DE VELOCIDAD DE ESTADO SÓLIDO.
- PARA REDUCIR EL RIESGO DE INCENDIOS, DESCARGAS ELÉCTRICAS O LESIONES PERSONALES, COLOQUE EN LA CAJA DE SALIDA MARCADA COMO ACEPTABLE PARA EL SOPORTE DEL VENTILADOR DE 35 LB O MENOS Y USE LOS TORNILLOS DE MONTAJE QUE SE SUMINISTRAN CON LA CAJA DE SALIDA
- PARA REDUCIR EL RIESGO DE LESIONES PERSONALES, NO DOBLE LOS SOPORTES DE LAS ASTAS AL INSTALAR LOS SOPORTES, BALANCEAR LAS ASTAS O LIMPIAR EL VENTILADOR. NO PONGA OBJETOS EXTRAÑOS ENTRE LAS ASTAS DEL VENTILADOR CUANDO ESTÉN GIRANDO.

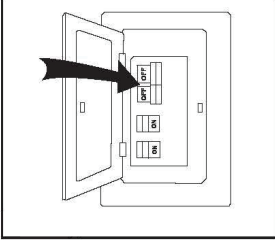
INSTRUCCIONES DE INSTALACIÓN

IMPORTANTE

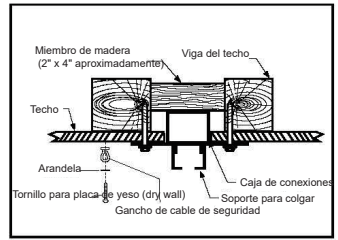
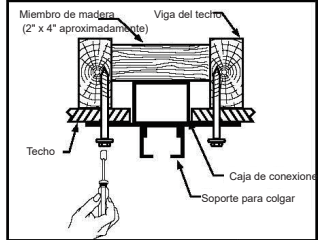
- ANTES DE COMENZAR LA INSTALACIÓN DEL VENTILADOR, LEA ATENTAMENTE TODA LA INFORMACIÓN EN LA HOJA SEPARADA "INSTRUCCIONES DE SEGURIDAD", ASÍ COMO LAS "INSTRUCCIONES DE INSTALACIÓN" EN LAS SIGUIENTES PÁGINAS. SI TIENE DUDAS, CONSULTE A UN ELECTRICISTA CALIFICADO.
- ESTE VENTILADOR SE DEBE INSTALAR CON UN CONTROL O INTERRUPTOR DE PARED.
- GUARDE TODAS LAS INSTRUCCIONES.

NOTA: El ventilador pesa 20 libras (9 kg). Asegúrese de que la caja de salida de cables que use esté firmemente sujeta a la estructura del edificio y pueda soportar el peso completo del ventilador. No hacerlo puede producir lesiones graves.

Pasos de la instalación:

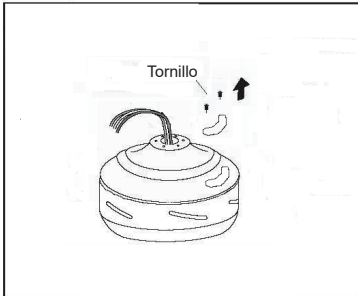


Apague el suministro eléctrico en la caja de fusibles o la caja del disyuntor.

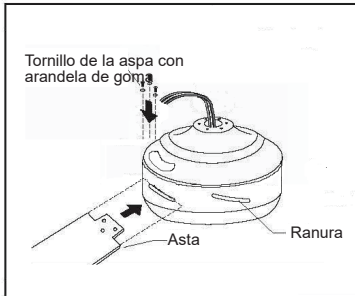


Ajuste el soporte para colgar en la caja de salida de cables con dos tornillos de montaje.

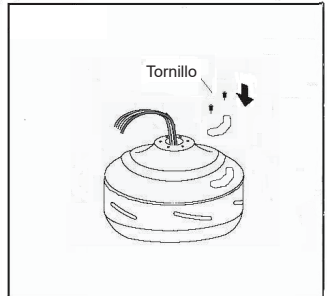
(Asegúrese de que la caja de salida de cables esté instalada firmemente para poder soportar al menos el peso del ventilador). Sujete el gancho del cable de seguridad al techo con un tornillo para placa de yeso y una arandela, y asegúrese de que el gancho esté cubierto por el florón del ventilador. **ADVERTENCIA: MONTE SOLO EN UNA CAJA DE SALIDA DE CABLES MARCADA "ACEPTABLE PARA SOPORTAR UN VENTILADOR".**



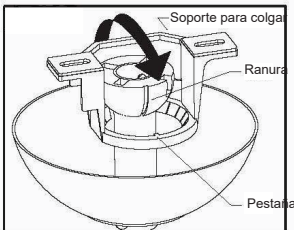
Desatornille los tornillos y quite la cubierta rectangular.



Ajuste el tornillo de la aspa con una arandela de goma, asegúrese de que las aspas queden bien instaladas en la carcasa de las aspas.



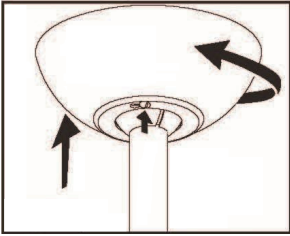
Ajuste los tornillos de la cubierta rectangular.



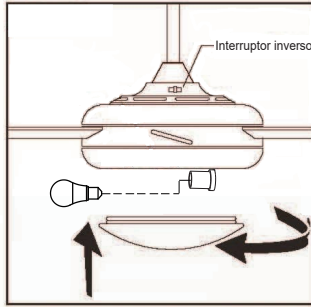
Cuelgue el ventilador en el soporte para colgar y asegúrese de que la ranura de la bola para colgar se enganche exactamente en el chip del soporte para colgar.

Después de hacer las conexiones de los cables, estos se deben separar del conductor a tierra y del conductor a tierra del equipo a un lado de la caja de salida y el conductor sin tierra al otro lado de la caja de salida.

Después de hacer los empalmes, se deben girar hacia arriba y empujarlos cuidadosamente dentro de la caja de salida.



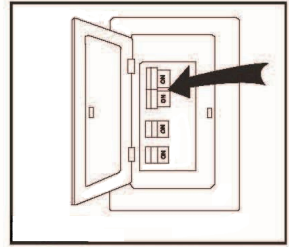
Meta la antena dentro del florón. Empuje el florón hacia arriba alineando los agujeros en la parte inferior con los tornillos en el soporte para colgar. Gire el florón para bloquearlo en su lugar, luego ajuste los tornillos para asegurarlo.



1. Instale las bombillas (incluidas) en los portalámparas.
2. Gire hacia la derecha la pantalla de vidrio hacia el panel de iluminación hasta que la pantalla de vidrio se bloquee en su lugar.

Nota: Asegúrese de que la pantalla de vidrio se gire hacia la derecha y se bloquee en su lugar.

PRECAUCIÓN: Para reducir el riesgo de descargas eléctricas desconecte el circuito de suministro eléctrico del ventilador antes de instalar el kit de luces.



Encienda el suministro eléctrico en la caja de fusibles o la caja del disyuntor.

Operación

Apague totalmente el ventilador antes de mover el interruptor inverso.

Ajuste el interruptor inverso para la recirculación de aire dependiendo de la estación:

- Posición a la IZQUIERDA en verano (diagrama 2)
- Posición a la DERECHA en invierno (diagrama 3)

Un ventilador de techo permitirá subir la configuración del termostato en verano y disminuirla en invierno sin sentir diferencias en su comodidad. **IMPORTANTE:** Invierta hacia la DERECHA al ventilador para que funcione. Si el interruptor inverso está ajustado en la posición del medio (diagrama 4), el ventilador no funcionará. Sujete las extensiones del interruptor de cadena suministrado o las extensiones del interruptor de cadena personalizado (se vende por separado) a los extremos del interruptor de cadena.

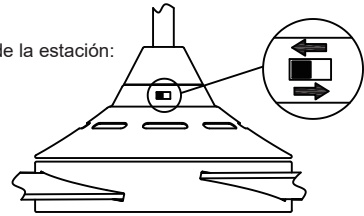


Diagrama 1

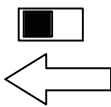


Diagrama 2

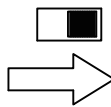


Diagrama 3

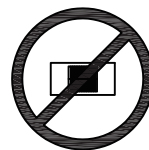
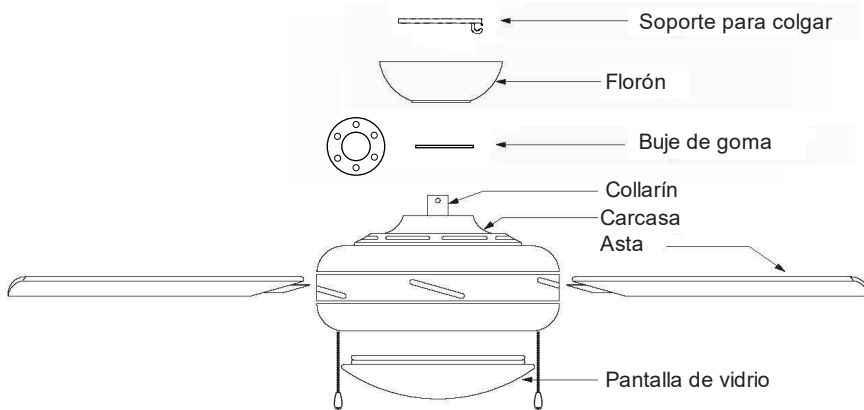
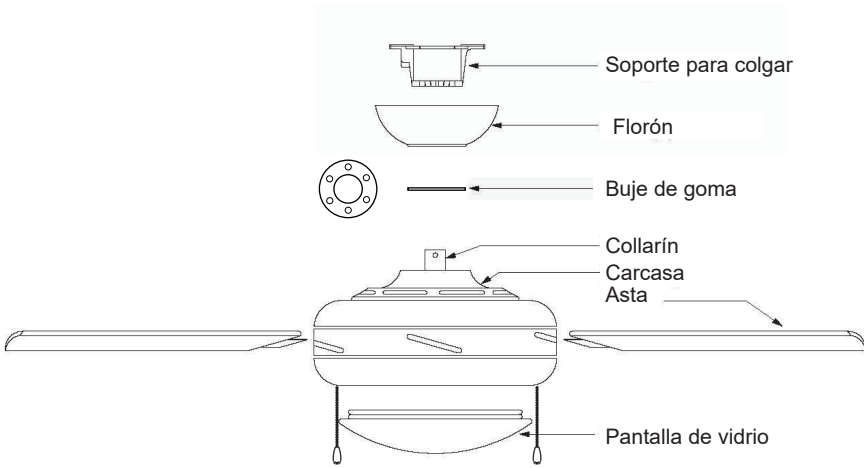


Diagrama 4

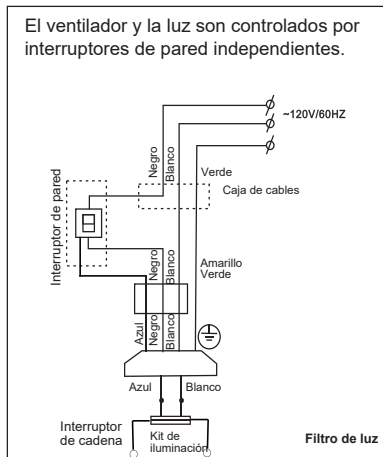
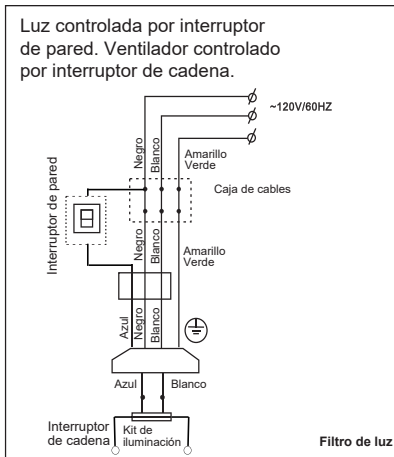
Montaje al ras (sin barral)

Detalle de la vista despiezada



Conexiones eléctricas

1. Cuatro cables se conectan en la parte superior del ventilador.
Negro: Alimentación "viva" para el ventilador.
Azul: Alimentación "viva" para la luz.
Blanco: "Común" para el ventilador y la luz.
Verde: Cable de puesta a tierra
2. Si el ventilador y la luz se van a conectar al mismo circuito, los cables negro y azul se deben conectar juntos al cable negro en el techo usando una tuerca para cables para hacer la conexión. Si no se instala un kit de iluminación, el cable azul no se debe conectar.
3. El cable blanco del ventilador se debe conectar al cable blanco del techo, usando una tuerca para cables para hacer la conexión.
4. El cable verde del ventilador se debe conectar al cable a tierra en el techo, usando una tuerca para cables para hacer la conexión.
5. Meta el cableado completo de nuevo dentro de la caja de salida de cables eléctricos.



ADVERTENCIA: Para evitar la posibilidad de choque eléctrico, asegúrese de desconectar la electricidad en la caja de fusibles principal antes de hacer el cableado.

NOTA: Si no está seguro de que la caja eléctrica y el ventilador están puestos a tierra, consulte a un electricista certificado. Deben estar puestos a tierra para una operación segura.

ADVERTENCIA: Cada tuerca para cables (conector de cables) suministrado con este ventilador está diseñado para aceptar hasta un cable de calibre 12 de carcasa y dos cables del ventilador. Si tiene un cableado de la carcasa que tiene un calibre mayor a 12 o más de un cable de carcasa para conectar al cableado del ventilador, consulte a un electricista sobre el tamaño correcto de la tuerca para cables a usar.

ADVERTENCIA: Verifique que todas las conexiones estén ajustadas y que no hay cables pelados visibles en las tuercas para cables.

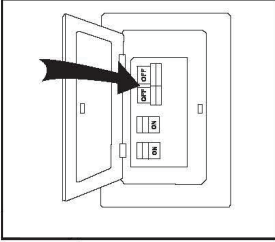
INSTRUCCIONES DE INSTALACIÓN

IMPORTANTE

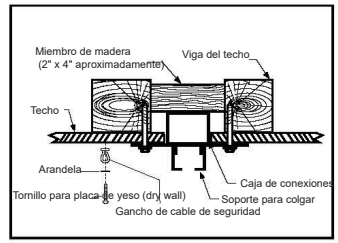
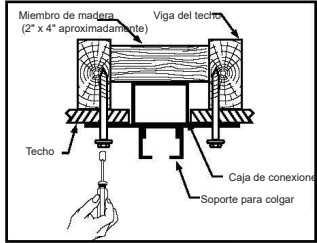
- ANTES DE COMENZAR LA INSTALACIÓN DEL VENTILADOR, LEA ATENTAMENTE TODA LA INFORMACIÓN EN LA HOJA SEPARADA "INSTRUCCIONES DE SEGURIDAD", ASÍ COMO LAS "INSTRUCCIONES DE INSTALACIÓN" EN LAS SIGUIENTES PÁGINAS. SI TIENE DUDAS, CONSULTE A UN ELECTRICISTA CALIFICADO.
- ESTE VENTILADOR SE DEBE INSTALAR CON UN CONTROL O INTERRUPTOR DE PARED.
- GUARDE TODAS LAS INSTRUCCIONES.

NOTA: El ventilador pesa 20 libras (9 kg). Asegúrese de que la caja de salida de cables que use esté firmemente sujeta a la estructura del edificio y pueda soportar el peso completo del ventilador. No hacerlo puede producir lesiones graves.

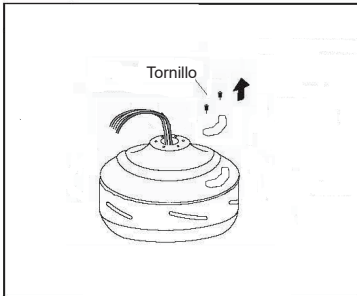
Pasos de la instalación:



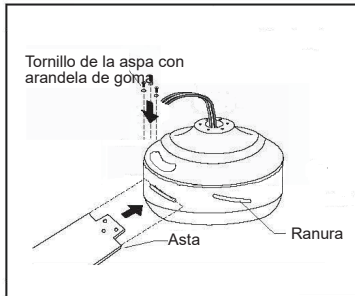
Apague el suministro eléctrico en la caja de fusibles o la caja del disyuntor.



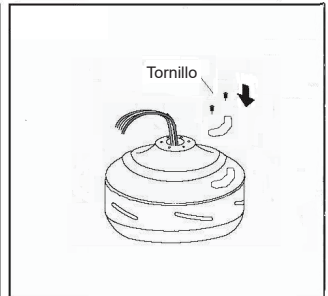
Ajuste el soporte para colgar en la caja de salida de cables con dos tornillos de montaje. **(Asegúrese de que la caja de salida de cables esté instalada firmemente para poder soportar al menos el peso del ventilador).** Sujete el gancho del cable de seguridad al techo con un tornillo para placa de yeso y una arandela, y asegúrese de que el gancho esté cubierto por el florón del ventilador. **ADVERTENCIA: MONTE SOLO EN UNA CAJA DE SALIDA DE CABLES MARCADA "ACEPTABLE PARA SOPORTAR UN VENTILADOR".**



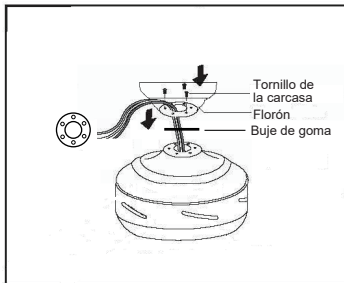
Desatornille los tornillos y quite la cubierta rectangular.



Ajuste el tornillo de la aspa con una arandela de goma, asegúrese de que las aspas queden bien instaladas en la carcasa de las aspas.



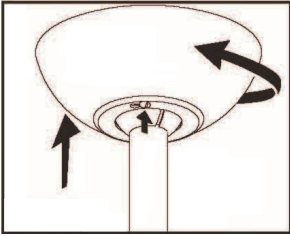
Ajuste los tornillos de la cubierta rectangular.



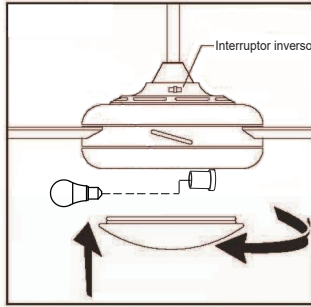
Instale el florón en el motor con los tornillos.

Después de hacer las conexiones de los cables, estos se deben separar del conductor a tierra y del conductor a tierra del equipo a un lado de la caja de salida y el conductor sin tierra al otro lado de la caja de salida.

Después de hacer los empalmes, se deben girar hacia arriba y empujarlos cuidadosamente dentro de la caja de salida.



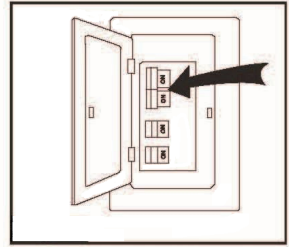
Meta la antena dentro del florón. Empuje el florón hacia arriba alineando los agujeros en la parte inferior con los tornillos en el soporte para colgar. Gire el florón para bloquearlo en su lugar, luego ajuste los tornillos para asegurarlo.



1. Instale las bombillas (incluidas) en los portalámparas.
2. Gire hacia la derecha la pantalla de vidrio hacia el panel de iluminación hasta que la pantalla de vidrio se bloquee en su lugar.

Nota: Asegúrese de que la pantalla de vidrio se gire hacia la derecha y se bloquee en su lugar.

PRECAUCIÓN: Para reducir el riesgo de descargas eléctricas desconecte el circuito de suministro eléctrico del ventilador antes de instalar el kit de luces.



Encienda el suministro eléctrico en la caja de fusibles o la caja del disyuntor.

Operación

Apague totalmente el ventilador antes de mover el interruptor inverso.

Ajuste el interruptor inverso para la recirculación de aire dependiendo de la estación:

- Posición a la IZQUIERDA en verano (diagrama 2)
- Posición a la DERECHA en invierno (diagrama 3)

Un ventilador de techo permitirá subir la configuración del termostato en verano y disminuirla en invierno sin sentir diferencias en su comodidad. **IMPORTANTE:** Invierta hacia la DERECHA al ventilador para que funcione. Si el interruptor inverso está ajustado en la posición del medio (diagrama 4), el ventilador no funcionará. Sujete las extensiones del interruptor de cadena suministrado o las extensiones del interruptor de cadena personalizado (se vende por separado) a los extremos del interruptor de cadena.

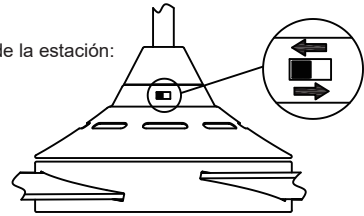


Diagrama 1

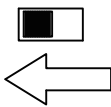


Diagrama 2

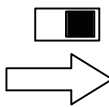


Diagrama 3

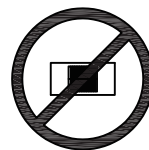


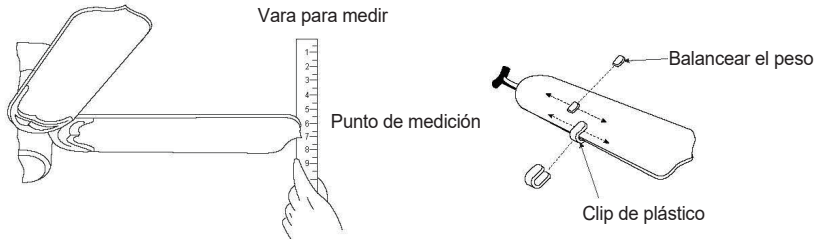
Diagrama 4

Guía de solución de problemas

Si tiene dificultades para poner en funcionamiento un ventilador de techo nuevo, puede ser producto de un ensamblado, una instalación o un cableado incorrectos. En algunos casos, estos errores de instalación pueden ser por errores o defectos. Si experimenta fallas, lea esta Guía de solución de problemas. Si no se puede corregir un problema o si tiene dificultades en la instalación, llame a nuestro Departamento de Servicio al Cliente.

PROBLEMA	CORRECCIÓN SUGERIDA
1. Si el ventilador no enciende:	<ol style="list-style-type: none">1. Verifique los fusibles del circuito principal y de las ramas, o los disyuntores.2. Verifique las conexiones de los cables de línea al ventilador y las conexiones de cables del interruptor en la carcasa del interruptor. PRECAUCIÓN: Asegúrese de que la alimentación eléctrica principal esté desconectada.3. Asegúrese de que el interruptor hacia adelante/inverso esté firmemente en la posición hacia arriba o hacia abajo. El ventilador no funcionará si el interruptor está en el medio.4. Asegúrese de que el controlador de pared esté encendido.
2. Si el ventilador hace ruido:	<ol style="list-style-type: none">1. Asegúrese de que todos los tornillos en la carcasa del motor estén apretados. (no demasiado ajustados)2. Asegúrese de que los tornillos que sujetan el soporte para colgar del ventilador al motor estén ajustados.3. Asegúrese de que los conectores de la tuerca de cables en la carcasa del interruptor no estén golpeándose entre sí o contra la pared interior de la carcasa. PRECAUCIÓN: Asegúrese de que la alimentación eléctrica principal esté desconectada antes de entrar en la carcasa del interruptor.4. Si usa un kit de iluminación de ventilador de techo opcional, verifique que los tornillos que sostienen la pantalla de vidrio estén ajustados a mano. Asegúrese de que la bombilla esté ajustada en el portalámparas y no toque la pantalla de vidrio. Si la vibración del vidrio continúa, retire el vidrio e instale una banda de goma de 1/4 de pulgada (0.6 cm) de ancho en el cuello del vidrio para que sea un aislante. Vuelva a colocar el vidrio y ajuste los tornillos contra la banda de goma.5. Algunos motores de ventilador son sensibles a las señales de los controles de velocidad variable de estado sólido. NO USE un control de velocidad variable de estado sólido,6. Deje pasar un período de "espera" de 24 horas. La mayoría de los ruidos asociados con un nuevo ventilador desaparecerán después de este período.
3. Si el ventilador se tambalea:	<p>Todas las astas están pesadas y agrupadas por peso. Las maderas naturales varían en densidad que podría causar que el ventilador se tambalee, a pesar de que las astas se hayan agrupado por peso. Los siguientes procedimientos deberían eliminar gran parte de la oscilación. Verifique si se tambalea después de cada paso.</p> <ol style="list-style-type: none">1. Verifique que todas las astas estén atornilladas firmemente en los soportes de las astas.2. Verifique que todos los soportes de las astas estén firmemente ajustados al motor.3. Asegúrese de que el florón y el soporte de montaje estén firmemente ajustados a la caja de conexiones del techo y la caja de conexiones está firmemente montada a la viga del techo.4. La mayoría de los problemas de oscilación del ventilador se producen cuando las astas están desniveladas. Controle este nivel seleccionando un punto en el techo por encima de la punta de una de las astas. Manteniendo la medida dentro del 1/8 de pulgada (0.32 cm) gire el ventilador hasta que la siguiente asta esté en el lugar para la medición. Repita para cada asta. Si los niveles de las astas no son iguales, puede ajustar los niveles con este procedimiento. Para ajustar hacia abajo la punta de una asta, inserte una arandela (no provista) entre la asta y el soporte de la asta en el tornillo más cercano al motor. Para ajustar hacia arriba la punta de una asta, inserte una arandela (no provista) entre la asta y el soporte de la asta en los dos tornillos que están más lejos del motor.5. Si continua notando la oscilación de las astas, intercambiar dos astas adyacentes (que están una al lado de la otra) puede redistribuir el peso y posiblemente producir una mejor operación.
4. Si la luz no funciona:	<ol style="list-style-type: none">1. Verifique el cable azul del ventilador para asegurarse de que esté conectado al cable vivo de la carcasa.2. Controle si hay cables sueltos o desconectados en la carcasa del interruptor del ventilador.3. Controle si hay cables sueltos o desconectados en el kit de iluminación.4. Controle que no haya bombillas defectuosas. PRECAUCIÓN: Asegúrese de que la alimentación eléctrica principal esté desconectada antes de entrar en la carcasa del interruptor.5. Si la luz del ventilador se apaga poco después de encenderlo, se puede deber a una demanda de corriente excesiva. Apague el ventilador y reemplace las bombillas con bombillas de menor voltaje. Encienda el ventilador con el interruptor de cadena o el control remoto (que se instala en el ventilador particular).

Kit de balance dinámico de las astas



PREFACIO

A veces, el ventilador de techo oscila durante el funcionamiento debido a la irregularidad de las astas o del soporte de las astas. Además, un ensamblado incorrecto en el sistema de montaje o cojinetes torcidos pueden causar problemas adicionales. Este kit de balance se puede usar para corregir los problemas de tambaleo.

KIT DE BALANCE DINÁMICO PARA VENTILADORES DE TECHO

1. Asegúrese de que todas las astas estén firmemente atornilladas al soporte correspondiente.
2. Asegúrese de que todos los soportes de las aspas estén firmemente asegurados a la carcasa del motor y verifique que el paso de los soportes de las aspas sea el mismo.
3. Al mirar al ventilador desde abajo, asegúrese de que ninguno de los soportes de las aspas esté doblado y de que ninguna de las aspas no esté en su lugar. Se puede hacer una corrección doblando suavemente el soporte de la aspa hacia su posición correcta.
4. Use una vara de medir para verificar el movimiento de las aspas. Coloque la vara para medir verticalmente contra el techo y contra el borde exterior de una aspa. Observe la distancia del borde de la aspa al techo. Con cuidado, gire lentamente las aspas con la mano para verificar las aspas restantes. Si la aspa no está alineada, se puede doblar suavemente el soporte de la aspa hacia arriba o hacia abajo para alinearla con las otras aspas.

Si después de seguir todos los pasos el problema de tambaleo no se soluciona, se debe hacer un balance dinámico con el kit de balance. Siga el procedimiento de abajo:

- Encienda el ventilador y ajuste el control de velocidad (generalmente velocidad alta) a la velocidad que crea la mayor oscilación.
- Apague el ventilador. Seleccione una aspa y coloque el clip de balance en ella, a mitad de camino entre el soporte de la aspa y la punta de la aspa en el extremo posterior de la aspa.
- Encienda el ventilador. Verifique si la oscilación mejoró o empeoró. Apague el ventilador nuevamente y mueva el clip a otra aspa y repita la prueba. Repita este proceso con todas las aspas y observe la aspa que mejoró más.
- Mueva el clip hacia la aspa que mostró el mejor funcionamiento. Mueva el clip hacia adentro en esta aspa y haga funcionar el ventilador para encontrar la posición en la que el clip da el mejor funcionamiento.
- Luego, retire el clip e instale el peso de balance en la parte superior de la aspa a lo largo de la línea central, cerca del punto donde se había colocado el clip. Use un cuchillo filoso o una cuchilla para separar los pesos.

Precaución: Aléjese de las aspas. Si por cualquier motivo el clip no está asegurado, se pueden producir lesiones.