

HLK8124 SERIES

SINGLE SIDED DEADBOLT – HALF BORE



Available Finishes:



US15
Satin Nickel



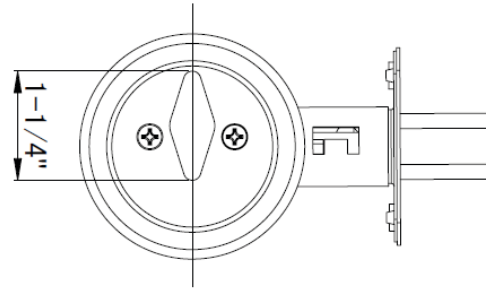
US10B
Oil Rubbed Bronze



US26D
Satin Chrome

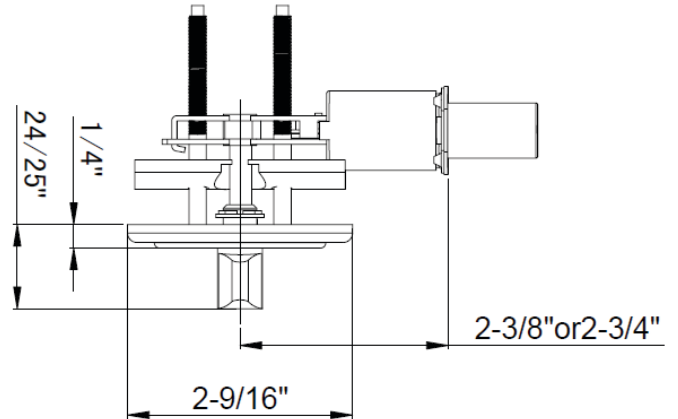
FEATURES & OPTIONS:

- Door Thickness – Fits 1-3/8" to 1-3/4" standard door thickness
- Door Preparation – Cross bore: 2-1/8" half depth, edge: 1"
- Latch Backset – 2-3/8" or 2-3/4"
- Latch – Radius faceplate
- Standard Latch Faceplate – 1" x 2-1/4" radius
- Bolt – 1" throw
- Strike Plate – Matched to latch
- Material – Steel and zinc
- ANSI/BHMA – Meets the requirements of A156.5 grade 3



FUNCTIONS:

- **Deadlock**
The inside locked and unlocked by a thumb turn



WARRANTY:

- Limited Lifetime Mechanical Warranty
- Limited 5-Year Finish Warranty