

HLK05 SERIES

RIDGED FLAT BALL KNOB



Available Finishes:



US15
Satin Nickel



US10B
Oil Rubbed Bronze



Matte Black

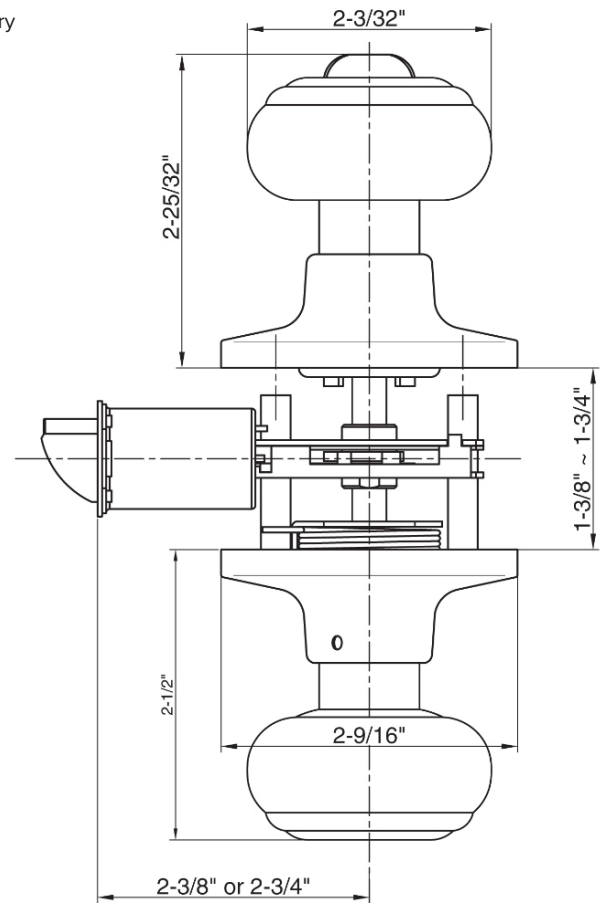
FEATURES & OPTIONS:

- Door Thickness – Fit 1-3/8" to 1-3/4" standard door thickness
- Door Preparation – Cross bore: 2-1/8", edge: 1"
- Latch Backset – Adjustable 2-3/8" – 2-3/4"
- Latch – 2-way radius
- Standard Latch Faceplate – 1" x 2-1/4" radius installed
- Spindle Type – Square
- Bolt – 1/2" throw
- Cylinder – Zinc cylinder KW1 keyway 5 brass pins
- Keys – 2 brass keys, nickel plated, stamped with key code
- Standard Strike Plate – 2-1/4" x 1-3/4" round corner full lip
- Material – Steel and brass
- ANSI/BHMA – A156.2 grade 3 certified

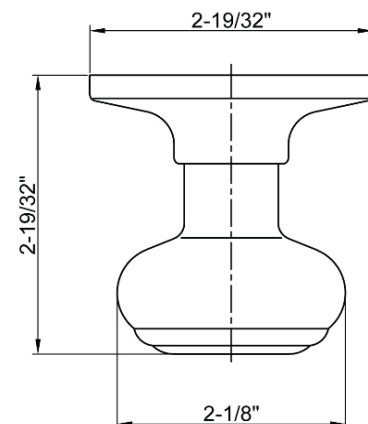
FUNCTIONS:

- **Entry – (F109)**
Both knobs locked or unlocked by key outside or turn-piece inside
- **Privacy – (F76)**
Both knobs locked or unlocked by turn-piece inside. Outside lever unlocked by coin or screwdriver
- **Passage – (F75)**
Latchbolt operated by knobs from either side at all times
- **Dummy**
Pull one/both side, no mechanical operation

Entry



Dummy



WARRANTY:

- Limited Lifetime Mechanical Warranty
- Limited 5-Year Finish Warranty