

HLK9903 SERIES

DRIVE-IN ENTRY LOCK LATCH

"Deadlatch"



Available
Finishes:



US15
Satin Nickel



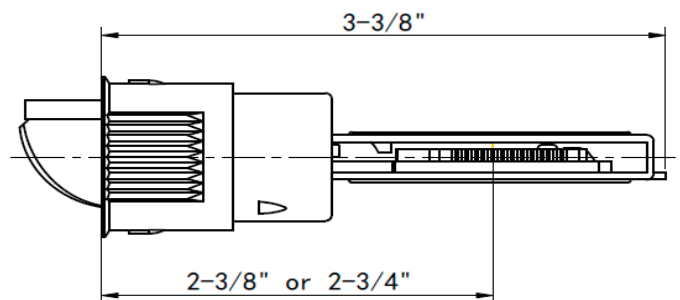
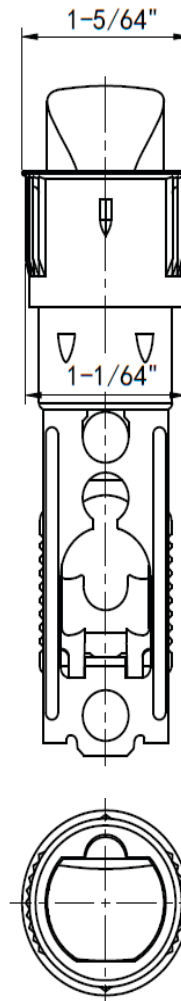
Matte Black

FEATURES & OPTIONS:

- Door Thickness – Fit 1-3/8" to 1-3/4" standard door thickness
- Door Preparation – Cross bore: 2-1/8", edge: 1"
- Latch Backset – Adjustable 2-3/8" – 2-3/4"
- Latch – Drive in
- Standard Latch Faceplate – None
- Spindle Type – Crescent
- Bolt – 1/2" throw
- Material – Steel and brass

FUNCTIONS:

- **Entry – (F109)**
Both levers locked or unlocked by key outside or turn-piece inside



WARRANTY:

- Limited 25-Year Mechanical Warranty