

# HLK91 SERIES

## JIMMYPROOF DEADLOCK



Available  
Finish:



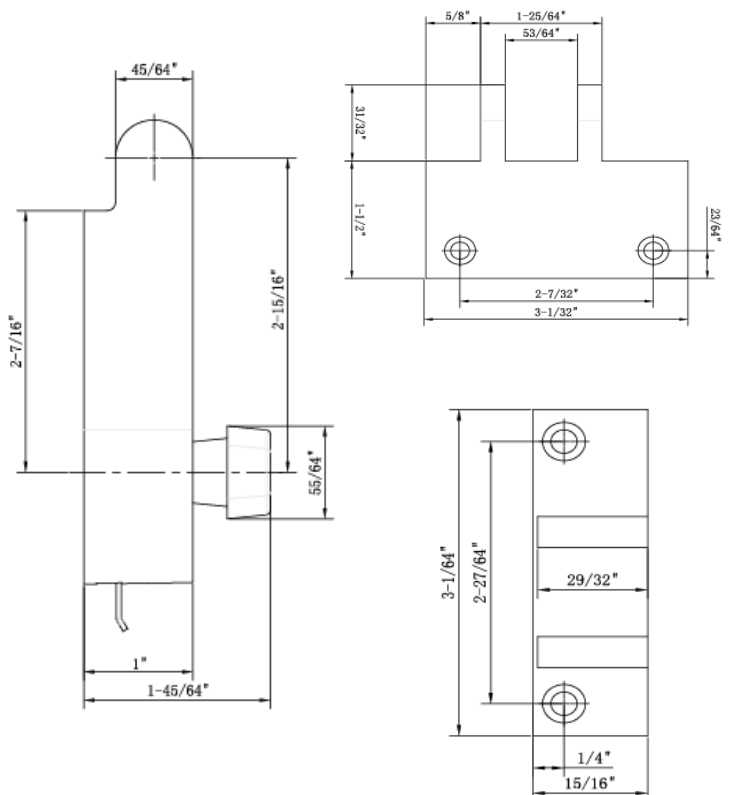
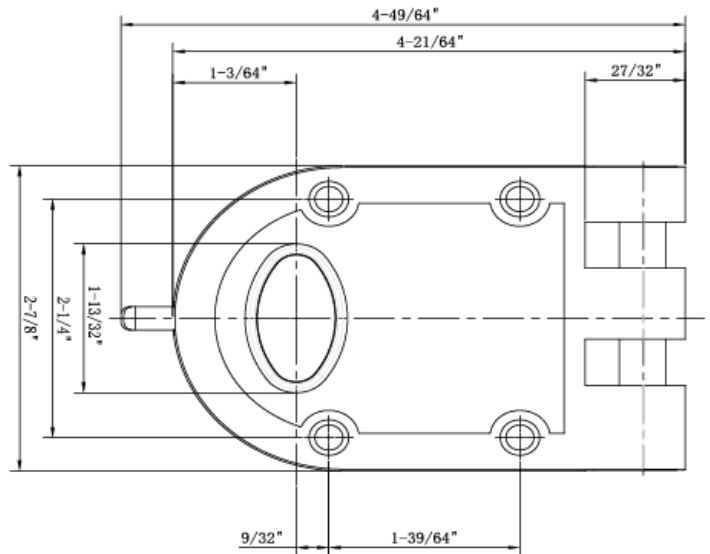
Bronze Paint

### FEATURES & OPTIONS:

- Door Thickness – Fits doors 1-3.8" to 2-3/16" thick
- Door Preparation – Cross bore: 1-1/4"
- Cylinder Backset – 2-3/8"
- Strike – Angle and flat strikes included
- Spindle Type – Flat bar
- Cylinder – Zinc cylinder SE1 keyway, 5 Brass Pins
- Keys – 2 brass keys, nickel plated, stamped with key code
- Material – Steel and brass
- ANSI/BHMA – Meets the requirements of grade 3

### FUNCTIONS:

- **Entry – (F109)**  
Both levers locked or unlocked by key outside or turn-piece inside



### WARRANTY:

- Limited 25-Year Mechanical Warranty
- Limited 5-Year Finish Warranty