

Model No. MBF080AWH MBF110AWH

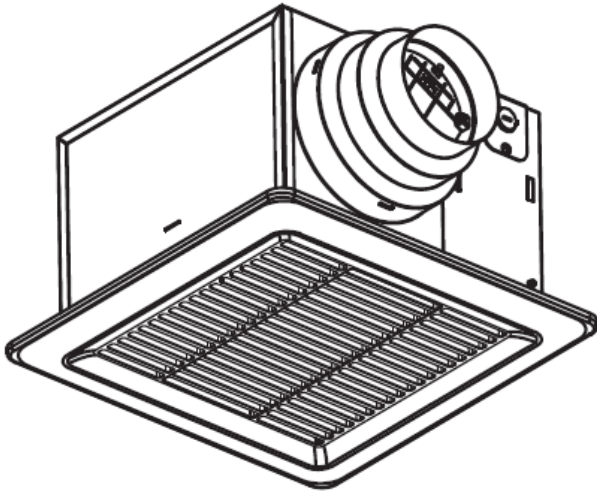


TABLE OF CONTENTS:

IMPORTANT SAFETY INFORMATION	2
INTRODUCTION	3
PARTS IDENTIFICATION AND PRODUCT DIMENSIONS	4
REQUIRED TOOLS	5
INCLUDED PARTS.....	5
NOTES FOR BEST PERFORMANCE	6
INSTALLATION	7
Installation Options.....	7
12" Joist Spacing.....	7
16-24" Joist Spacing.....	8
Connect Outlet Duct to Home Vent Duct.....	10
Connect Power Supply to Fan Unit Wiring.....	10
Wiring Diagram.....	11
Attach Louver	11
CLEANING AND MAINTENANCE	12
TROUBLESHOOTING	13
SPECIFICATIONS	14
WARRANTY.....	15

READ AND SAVE THESE INSTRUCTIONS!

This manual contains important information regarding the proper installation, use, and maintenance of your Miseno Product. Failure to comply with the instructions found in this manual could result in personal injury or property damage. Please read and follow the instructions and supplemental information found in this manual to ensure proper performance of your Miseno Product. Please save this documentation for future reference.

IMPORTANT SAFETY INFORMATION

Improper installation or use of this product can cause damage to this product and/or injury to the user. If you have questions, please contact the manufacturer. Please review the rating label of this product for electrical and other technical data. **Please read and follow the safety information listed below to reduce the risk of fire, electric shock, or injury.**

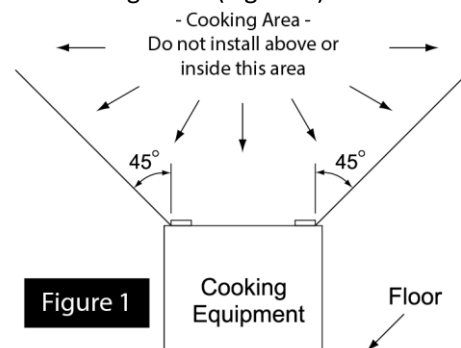


Electrical Safety Information

- Installation work and electrical wiring must be done by qualified person(s) in accordance with all applicable codes and standards, including fire-rated construction.
- Do not exceed the listed power outlet ratings.
- The unit must be installed in accordance with state and local building and electrical codes.
- A standard electrical supply (115 V, 60Hz), that is properly grounded in accordance with the National Electrical Code and local codes and ordinances is required.
- NEVER place a switch where it can be reached from a tub or shower.
- Do not bypass, cut, or remove the grounding wire.
- Contact customer service for service options if the unit needs service.
- If this unit is to be installed over a tub or shower, it must be marked as appropriate for the application and be connected to a GFCI (Ground Fault Circuit Interrupter) – protected branch circuit.
- When cutting or drilling into a wall or ceiling, pay special attention in order to avoid damaging electrical wiring, plumbing, or other.
- Before servicing or cleaning unit, switch power off at service panel and lock the service disconnecting means to prevent power from being switched on accidentally. When the service disconnecting means cannot be locked, securely fasten a prominent warning device, such as a tag, to the service panel.
- Power supply wiring is to be No. 14 AWG wire or larger (suitable for at least 90°C (190°F)).
- Not for outdoor use.
- Immediately unplug the unit if it makes strange sounds, emits smells, or smoke comes out of it, and contact customer service.

General Use Safety Information

- For general ventilation purposes only. Do not use to vent hazardous materials or vapors.
- Sufficient air is needed for proper combustion and exhausting of gases through the flue (chimney) of fuel burning equipment to prevent back drafting. Follow the heating equipment manufacturer's guideline and safety standards such as those published by the National Fire Protection Association (NFPA), and the American Society for Heating, Refrigeration and Air Conditioning Engineers (ASHRAE), and the local code authorities.
- Do not use in cooking area. (Figure 1)



- Ducted fans must always be vented to the outdoors.
- Do not use fan to exhaust corrosive gases.
- Do not block the air intakes or exhaust.
- The fan must not be installed in a ceiling with an "R" rating greater than 40.
- To reduce the risk of injury, install the fan at least 7 feet (2.1m) above the floor.
- Do not clean the fan with corrosive chemicals or water in excess of 60°C (140°F).
- The fan should not be turned on or off rapidly or left running continuously.
- If the fan is not operating properly, shut the power off immediately, and have a certified installer inspect it and have it serviced as required.
- This fan must be mounted to structural members that are strong enough to support the fan's weight.
- Do not allow foreign objects to enter the fan; this could result in electric shock or fan damage.

INTRODUCTION

Thank you for purchasing this Miseno Product.

This manual contains important information regarding the proper installation, use, and maintenance of your Miseno Product. Failure to comply with the instructions found in this manual could result in personal injury or property damage. Please read and follow the instructions and supplemental information found in this manual to ensure proper performance of your Miseno Product.

Please save this documentation for future reference.

Please save the original product packaging in case you need to return or exchange your product.

For Your Records:

Please write down the model number and serial number below for future reference. Both numbers are located on the ratings label on the back of your unit and are needed to obtain warranty service. You may also want to staple your receipt to this manual as it is the proof of your purchase, and is also needed for service under your warranty.

Model Number: _____

Serial Number: _____

Date of Purchase: _____

For information or service call or email:

Web: www.miseno.com

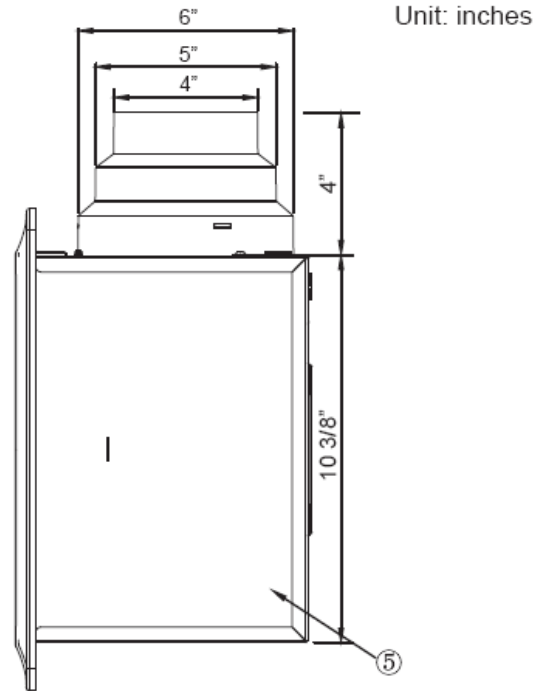
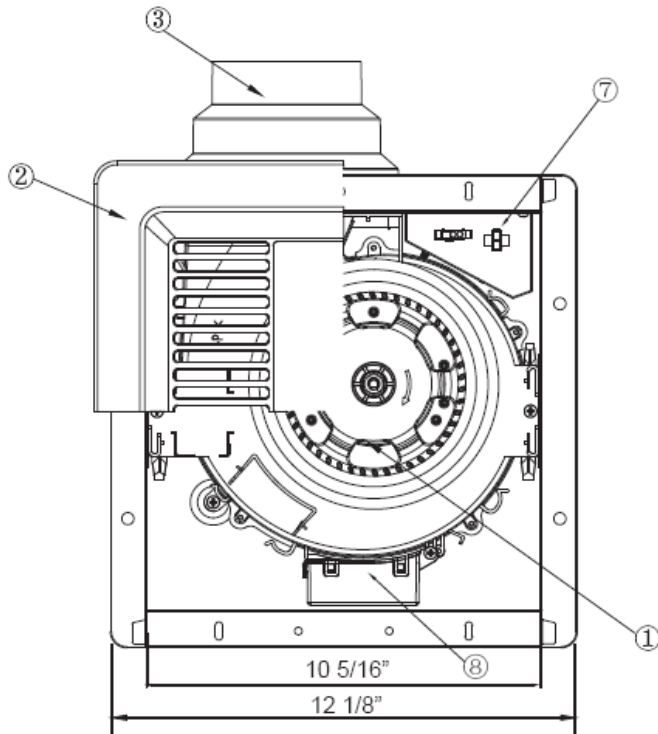
Email: infoservice@miseno.com

Phone: 1-855-480-2915

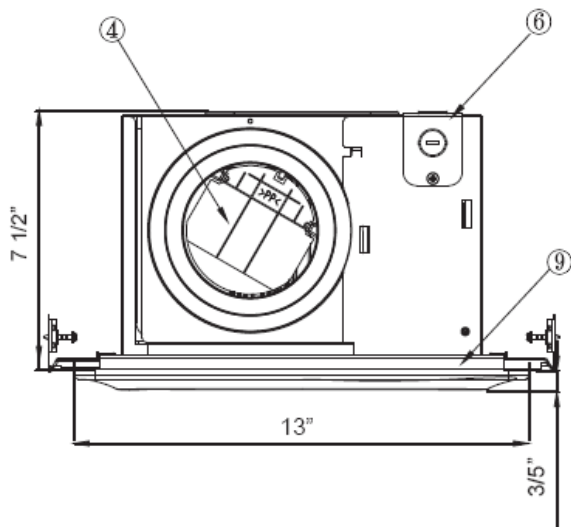
Miseno
402 Otterson Drive
Chico, CA, 95928

PARTS IDENTIFICATION AND PRODUCT DIMENSIONS

Please refer to the below diagram for a general overview of your Miseno ventilation fan.



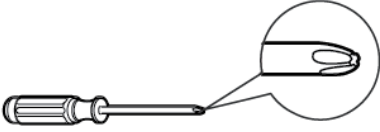
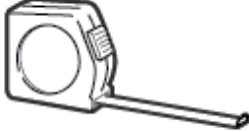
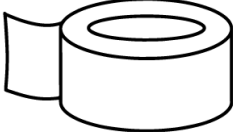
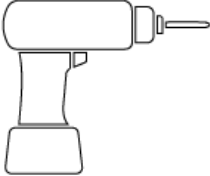


Unit: inches



No.	Part name	No.	Part name
1	Blade	6	Knock-out plate
2	Louver	7	Junction box
3	Adaptor	8	Capacitance box
4	Damper	9	Bracket assembly
5	Fan body		

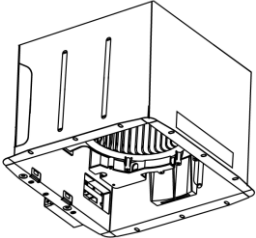
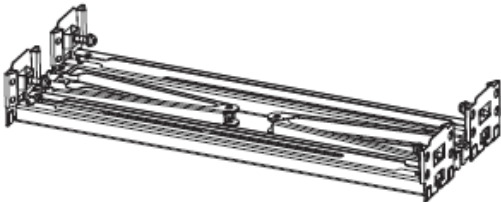
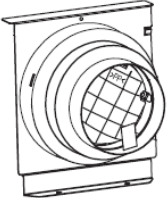

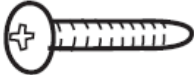
REQUIRED TOOLS

Tools needed for the installation of your bath fan are not included with this product. Below is a list of tools and supplies that will assist you with the proper installation of your product.

		
Phillips Head Screwdriver	Tape Measure	Duct Tape
		
Drill w/ Phillips Head Driver Bit	Flathead Screwdriver	Wire Nuts

INCLUDED PARTS

Please review the below included parts list and quantities. If any of the below parts are missing from your product packaging, please contact the manufacturer.

		
Fan Housing (1)	Suspension Bracket (1) with ST4x20 screws attached (4)	
		
Duct Adapter (1)	Louver (1)	ST4x30 Screw (5)

NOTES FOR BEST PERFORMANCE

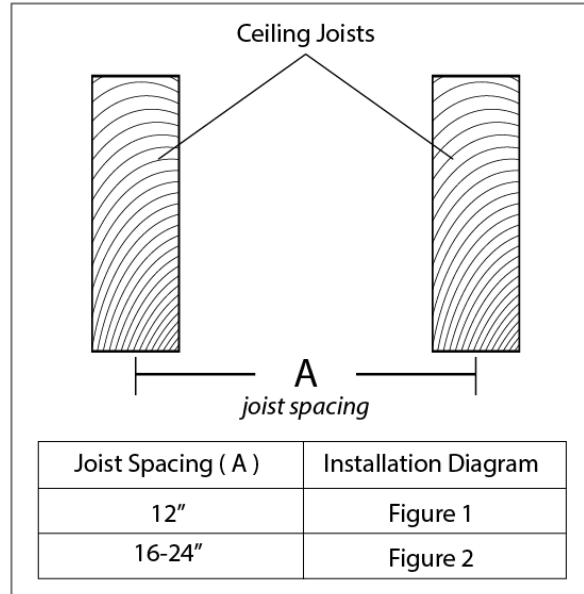
- A 4", 5" or 6" circular rigid duct is recommended for best performance.
- The ducting from this fan to the outside of the building has a strong effect on the air flow, noise, and energy use of the fan. Use the shortest, straightest duct routing possible for best performance, and avoid installing the fan with smaller ducts than recommended. Insulation around the ducts can reduce energy loss and inhibit mold growth. Fans installed with existing ducts may not achieve their rated air flow.
- Ensure duct joints and exterior penetrations are sealed with caulk or other similar material to create an air-tight path to minimize building heat loss or gain and to reduce the potential for condensation. Place/wrap insulation around duct and/or fan in order to minimize possible condensation buildup within the duct, as well as building heat loss or gain.

INSTALLATION

This unit is intended to be installed in a ceiling. The joists where the fan is to be installed must be a minimum of 2" x 4" material to ensure adequate support. The joists should be spaced 12" on center or up to a maximum of 24" on center. This product is designed for installation in ceilings with a minimum of 9" clearance. Consult with a certified contractor if you are unsure if the framing / joists in your ceiling are sufficient for these requirements.

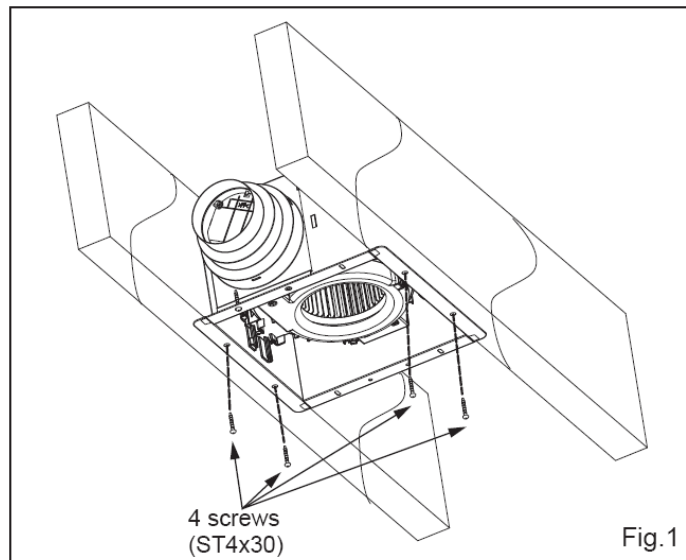
Installation Options

The spacing between the joists in your ceiling will determine the installation setup. Measure the distance between the center of each joist where the unit is to be installed as shown.



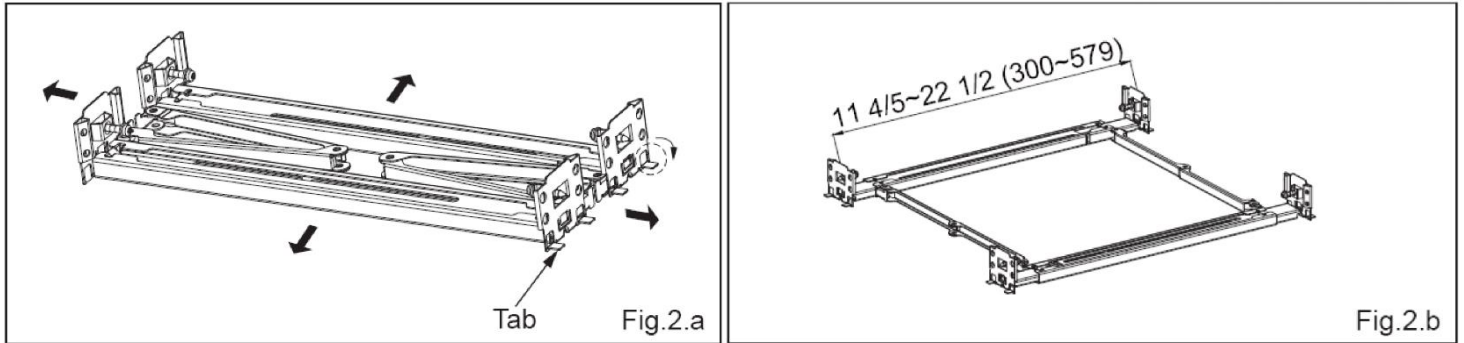
12" Joist Spacing

If the joist spacing is 12 inches the suspension bracket is not needed. Secure the fan housing to the joists by its flange with four (4) ST4x30 screws provided as shown in Figure 1.

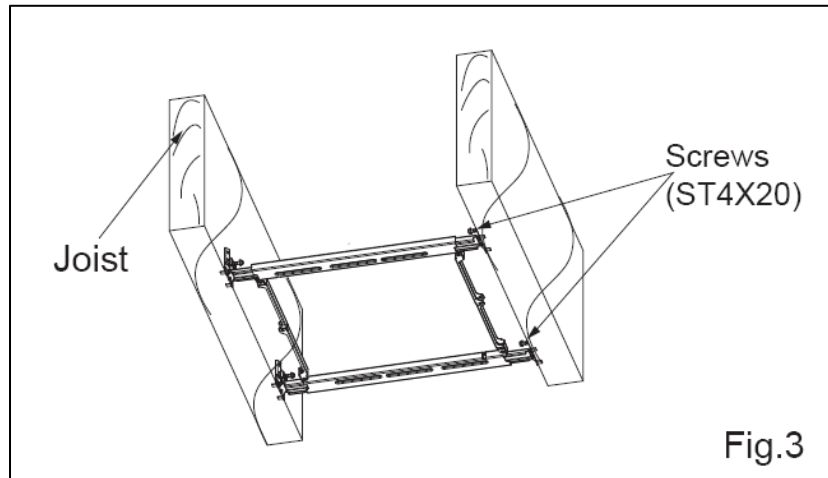


16-24" Joist Spacing

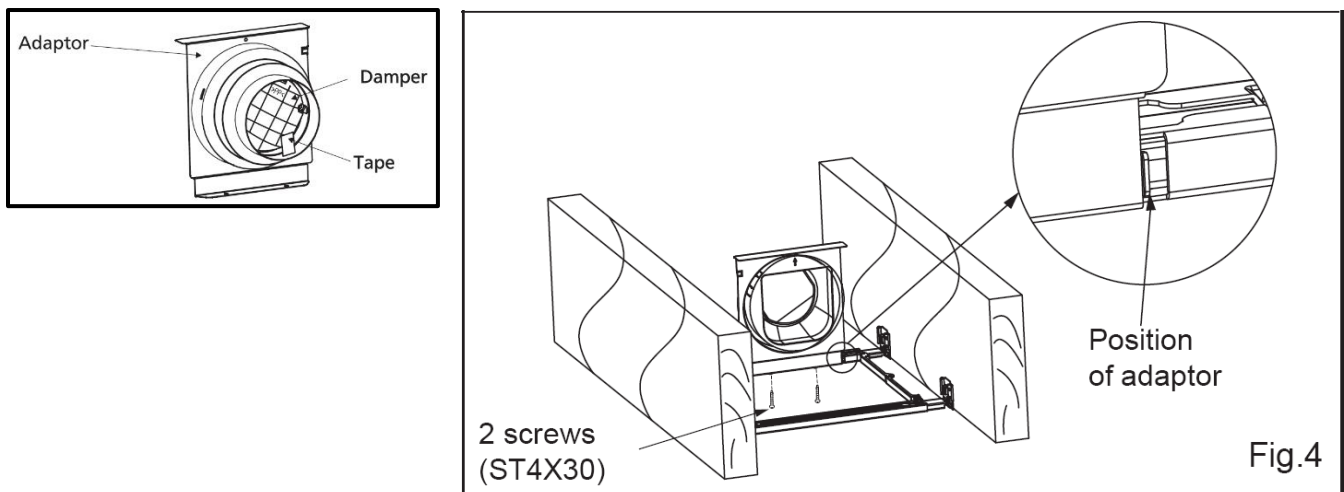
1. If the joist spacing is 16 to 24 inches bend down the 8 positioning tabs as shown in Figure 2a. Then unfold the suspension bracket as shown in figure 2b.



2. Secure one side of the suspension bracket assembly to one joist by drilling in the two (2) ST4x20 screws attached to the assembly as shown in Figure 3. Then adjust the length of the suspension bracket assembly to fit the spacing between joists and drill in the other two (2) tapping screws attached to the assembly.



3. Remove the tape from the damper and place the duct adaptor on the bracket assembly as shown in Figure 4. Install it by using two (2) ST4x30 screws as shown.



4. Push the fan housing upwards until the housing is stopped by the buckle on the adapter. Hold the fan housing in place and secure it with three (3) ST4x30 screws as shown in Figure 5.

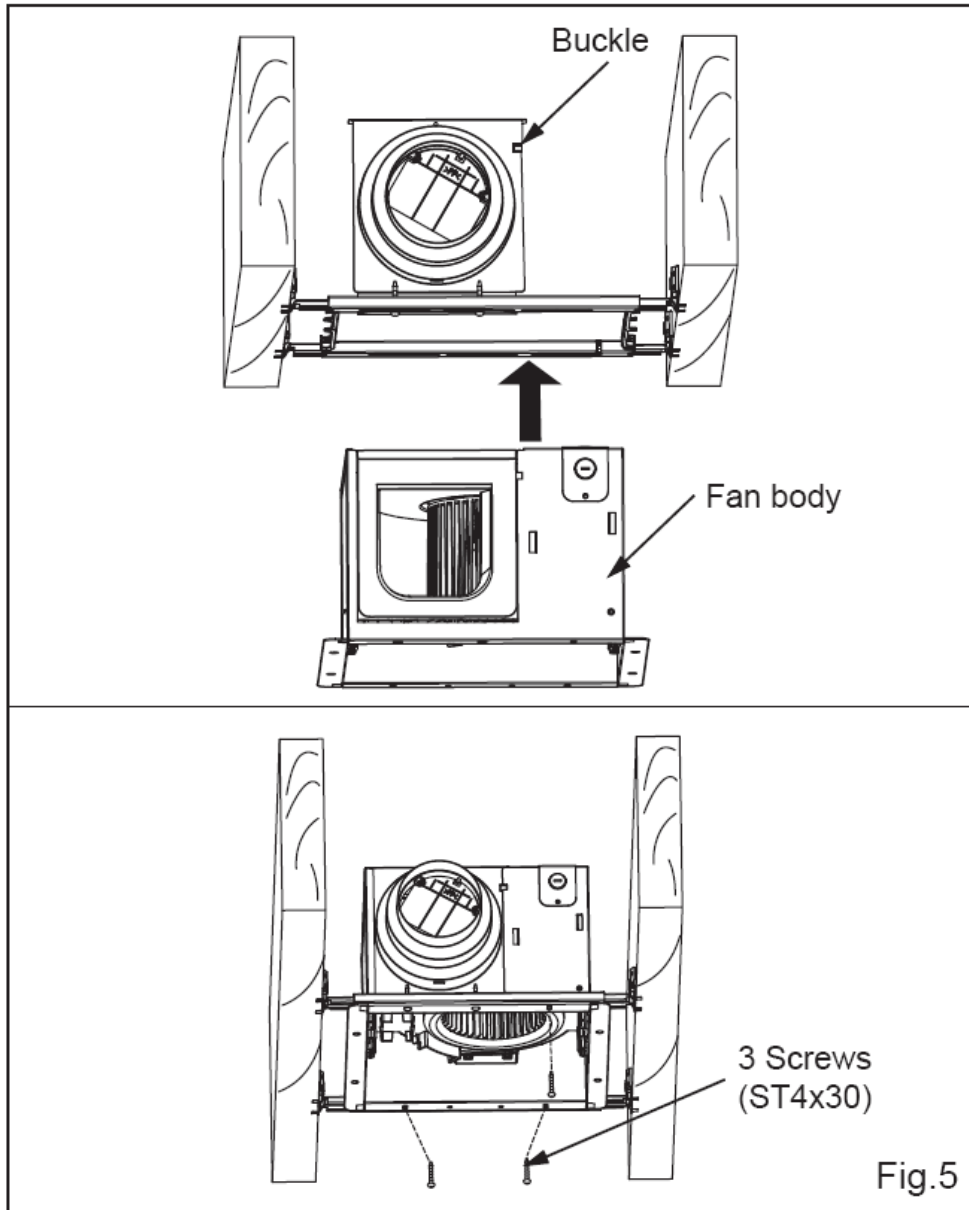
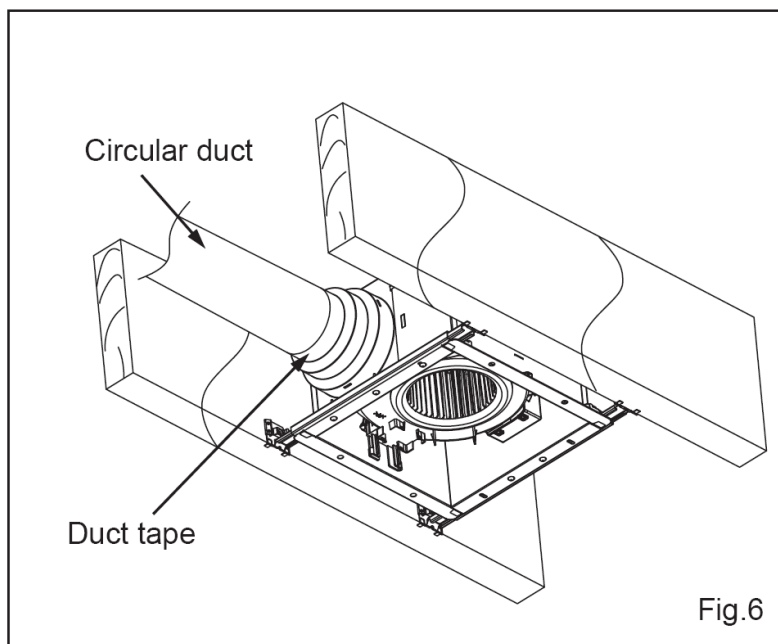


Fig.5

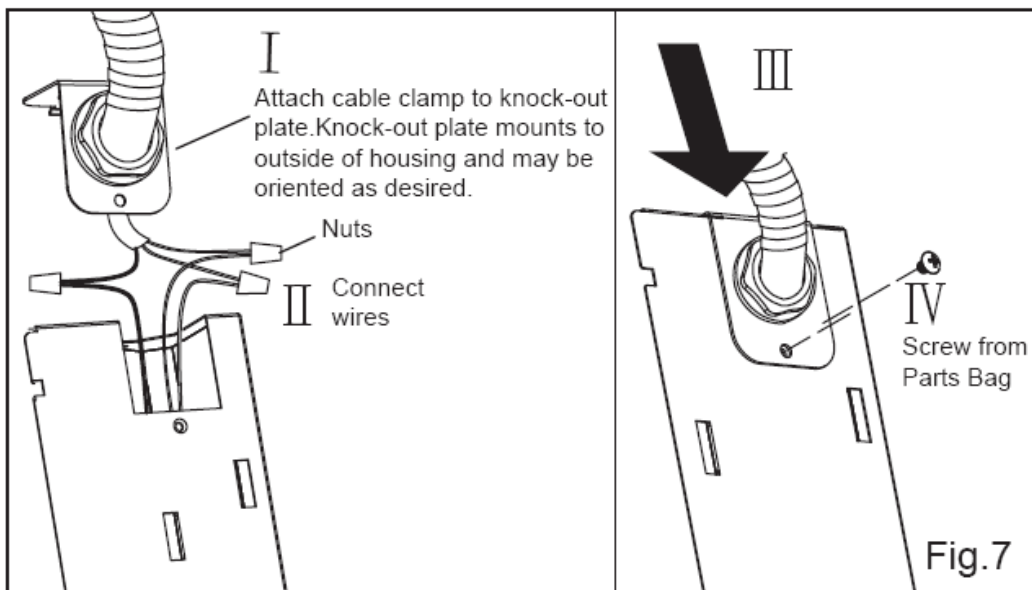
Connect Outlet Duct to Home Vent Duct

Circular ridged ducting with minimal bends is recommended for best air flow performance. A 4", 5" or 6" circular ridged duct is needed to connect to the duct adapter as shown in Figure 6. Install the circular ridged duct and secure it with clamps or ties, and seal it with mastic or approved duct tape.

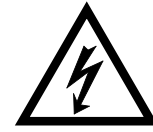
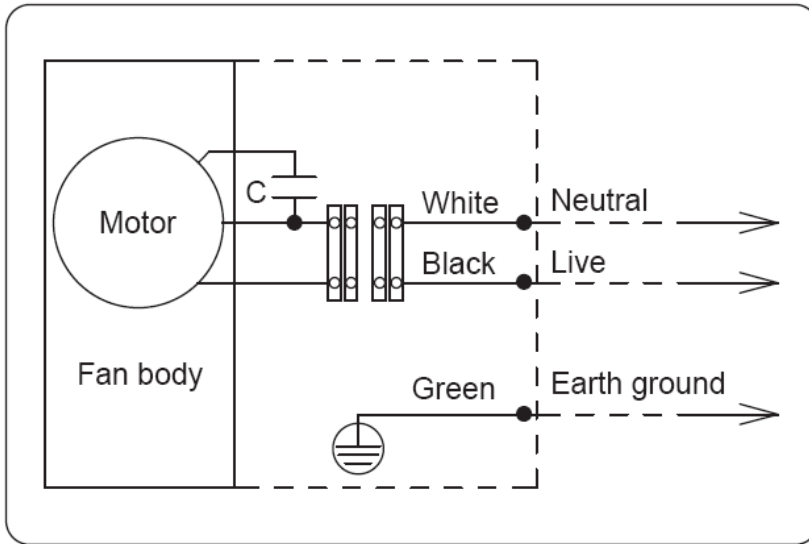


Connect Power Supply to Fan Unit Wiring

Remove the knock-out plate and secure conduit with stress relief fitting as shown in Figure 7. Refer to the wiring diagram on the next page and connect external power wires to the fan's wires using UL approved wire nuts. Secure the knock-out plate to the fan housing using the screw provided.



Wiring Diagram

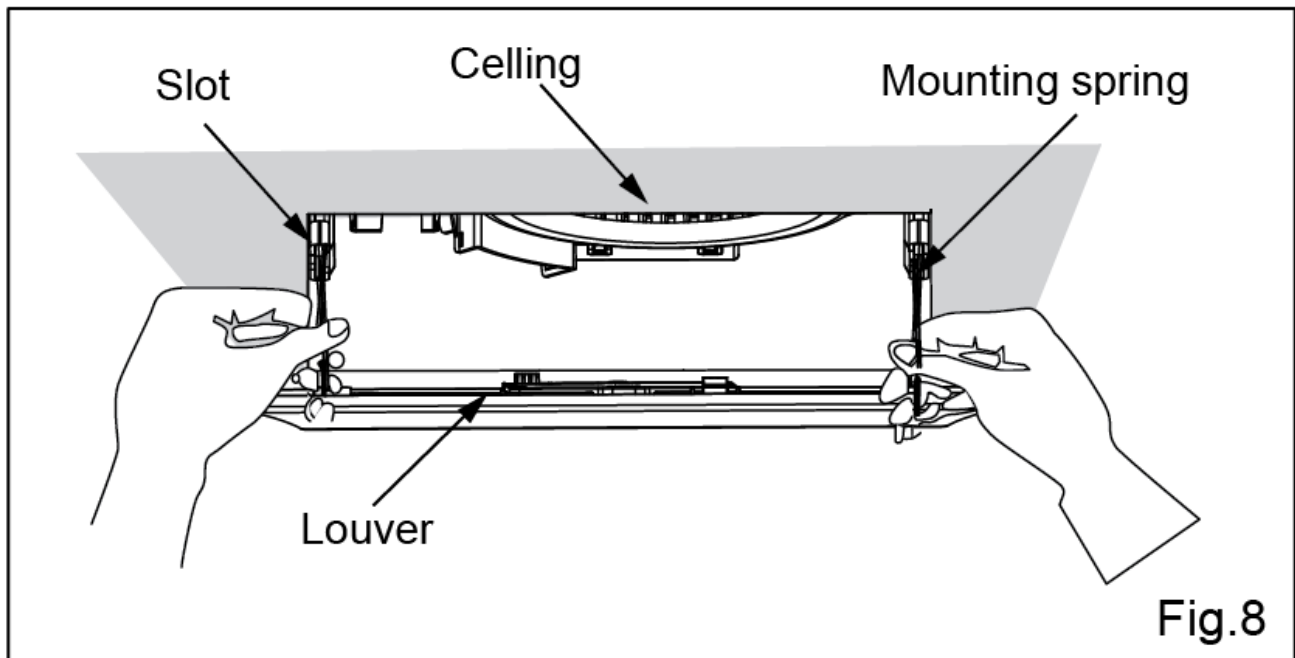


WARNING

Failure to turn OFF power supply prior to installation of this appliance can result in electrical shock, fire, and/or death.

Attach Louver

Insert the mounting springs into the slots and mount the louver as shown in Figure 8. Once inserted correctly, the springs will pull the louver towards the fan housing for a snug fit.



CLEANING AND MAINTENANCE

Periodic maintenance should be performed to ensure proper performance and long product life. Routine maintenance should be performed yearly, however more frequent maintenance may be required depending on the environment in which the unit has been installed.

WARNING! Disconnect from power source before performing maintenance.

- To clean the louver, first remove it from the fan. Then use a soft brush or vacuum with soft bristle attachment to remove all dirt and debris. If the dirt is not easily removed, wash with a neutral detergent. Ensure that the louver is completely dry before reinstallation.
- To remove dust and dirt from the fan housing and fan blades use a vacuum cleaner. If necessary, a cloth dampened with a neutral detergent may be used to wipe away remaining dirt and debris. Wipe dry with a clean cloth.

NOTE: Keep all electrical components away from water. Do not use corrosive chemicals or water in excess of 140°F (60°C) to clean plastic parts.

TROUBLESHOOTING

Problem	Possible causes	Solutions
The fan is noisy.	The CFM rating is too high.	Verify that the CFM rating on the fan matches the size requirements for the room in which the unit is installed.
	The damper is damaged or not working properly.	Check the damper to ensure it is opening and closing properly. If the damper has become damaged or unable to open and close freely, please call Customer Service.
	The bend in the duct is too close to the fan discharge.	Be sure you do not have any sharp bends in the exhaust vent duct closer than 24in. to the outlet duct on the fan unit.
	The fan discharge has been reduced to fit a smaller duct.	Use the recommended size ducting to reduce fan noise.
	The fan unit is not installed or attached properly.	Be sure the fan is securely attached to the ceiling joists.
The fan is not operating as expected.	There is insufficient airflow intake in the room.	Be sure a door or window is slightly ajar or opened to allow airflow. The fan is not able to draw air out of the room without enough airflow to draw from.
	There is insufficient CFM.	Verify that the CFM rating on the fan matches the size requirements for the room in which the unit is installed.
Fan Will Not Turn On	A fuse has blown or the circuit breaker is tripped.	Replace the broken fuse in your fuse box or reset the breaker.
	The internal fan motor plug has become disconnected.	<ul style="list-style-type: none"> • Disconnect power source. • Remove louver and wire box cover. • Check to ensure that the internal electrical plug is properly connected to fan housing.

SPECIFICATIONS

Model No.	MBF080AWH	MBF110AWH
Voltage/Frequency	AC 120V/60Hz	AC 120V/60Hz
Color	White	White
Duct Diameter	4", 5" and 6"	4", 5" and 6"
Speed (RPM)	998	1110
Noise (Sones)	0.4	1.1
Power Consumption (W)	21	28
Airflow (CFM)	80	110
Dimensions	<i>Refer to Page 4</i>	<i>Refer to Page 4</i>
Net Weight	9.7 lbs.	9.7 lbs.

Note: *Technical data and performance information is provided for reference only.*

Specifications are subject to change. Check the rating label for the most accurate information.

WARRANTY



Warranty Details

Subject to the limitations expressed herein, Seller warrants to the original purchaser that ventilation fans manufactured by Seller shall be free from defects in design, material and workmanship under Normal Use for 3-year (“Warranty Period”). This warranty is void for any damage caused by misuse, abuse, neglect, acts of God, or improper installation.

For the purpose of this section, “Normal Use” means in strict accordance with the installation, operation and maintenance manual for residential applications only. The warranty for products not manufactured by Seller is provided by the original equipment manufacturer.

REMEDIES: Seller shall repair or replace, at its option, any non-conforming or otherwise defective product, upon receipt of notice from Buyer during the Warranty Period at no additional charge.

SELLER HEREBY DISCLAIMS ALL OTHER EXPRESSED OR IMPLIED WARRANTIES, INCLUDING, WITHOUT LIMITATION, ALL IMPLIED WARRANTIES OF MERCHANTABILITY AND FITNESS OR FITNESS FOR A PARTICULAR PURPOSE.

LIMITATION OF LIABILITY: UNDER NO CIRCUMSTANCES SHALL EITHER PARTY BE LIABLE TO THE OTHER FOR INCIDENTAL, PUNITIVE, SPECIAL OR CONSEQUENTIAL DAMAGES OF ANY KIND. BUYER HEREBY ACKNOWLEDGES AND AGREES THAT UNDER NO CIRCUMSTANCES, AND IN NO EVENT, SHALL SELLER’S LIABILITY, IF ANY, EXCEED THE NET SALES PRICE OF THE DEFECTIVE PRODUCT(S) PURCHASED DURING THE PREVIOUS CONTRACT YEAR.

LABOR ALLOWANCE: Seller makes NO ADDITIONAL ALLOWANCE FOR THE LABOR OR EXPENSE OF REPAIRING OR REPLACING DEFECTIVE PRODUCTS OR WORKMANSHIP OR DAMAGE RESULTING FROM THE SAME.

RECOMMENDATIONS BY SELLER: Seller may assist Buyer in selection decisions by providing information regarding products that it manufactures and those manufactured by others. However, Buyer acknowledges that Buyer ultimately chooses the product’s suitability for its particular use, as normally signified by the signature of Buyer’s technical representative. Any recommendations made by Seller concerning the use, design, application or operation of the products shall not be construed as representations or warranties, expressed or implied. Failure by Seller to make recommendations or give advice to Buyer shall not impose any liability upon Seller.

EXCUSED PERFORMANCE: Seller will make a good faith effort to complete delivery of the products as indicated by Seller in writing, but Seller assumes no responsibility or liability and will accept no back charge for loss or damage due to delay or inability to deliver, caused by acts of God, war, labor difficulties, accidents, inability to obtain materials, delays of carriers, contractors or suppliers or any other causes of any kind whatever beyond the control of Seller.

Miseno is a registered trademark of Build.com, Inc.

For additional assistance or service call: 1.855.480.2915 or visit our website at www.miseno.com