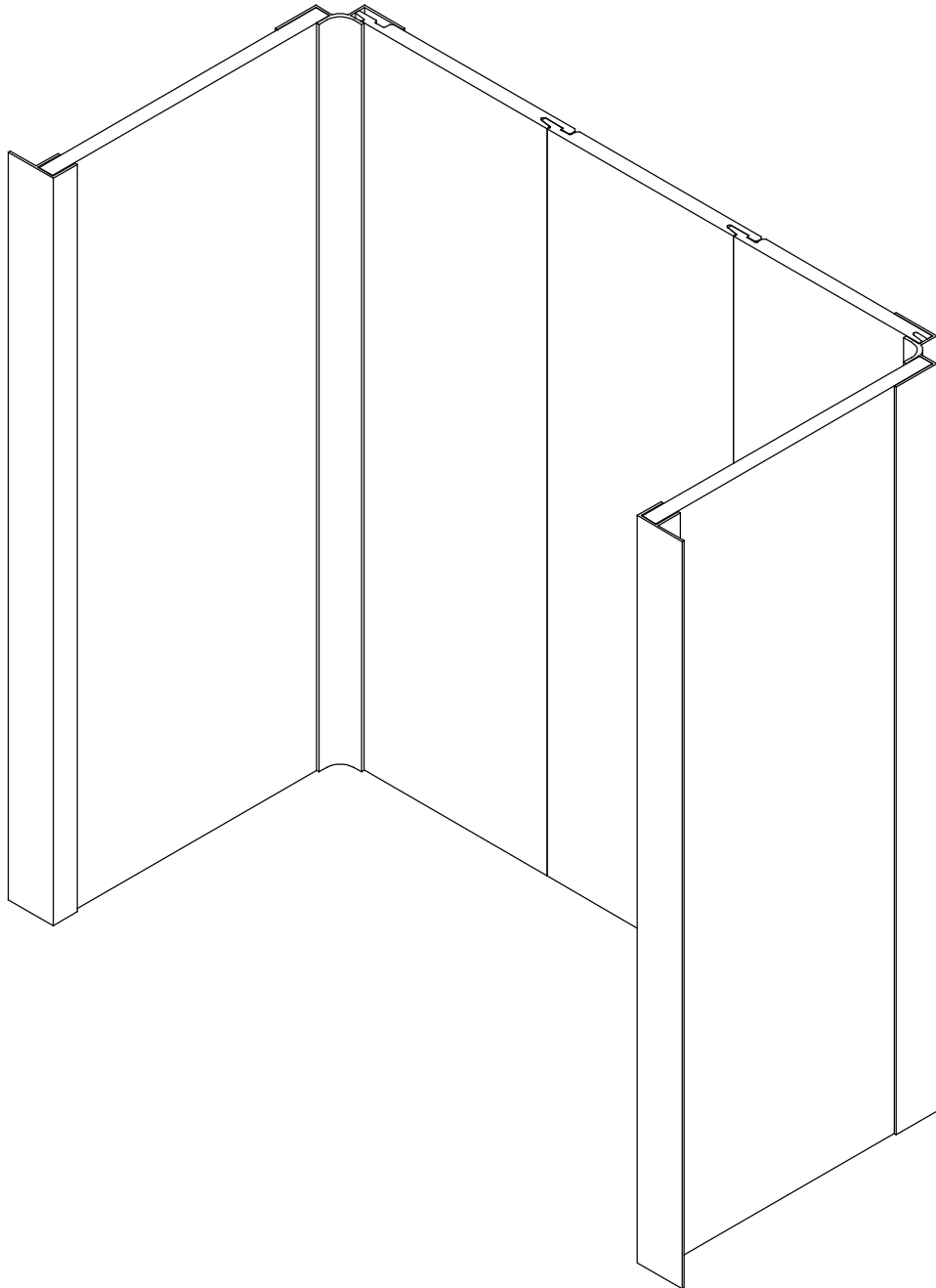


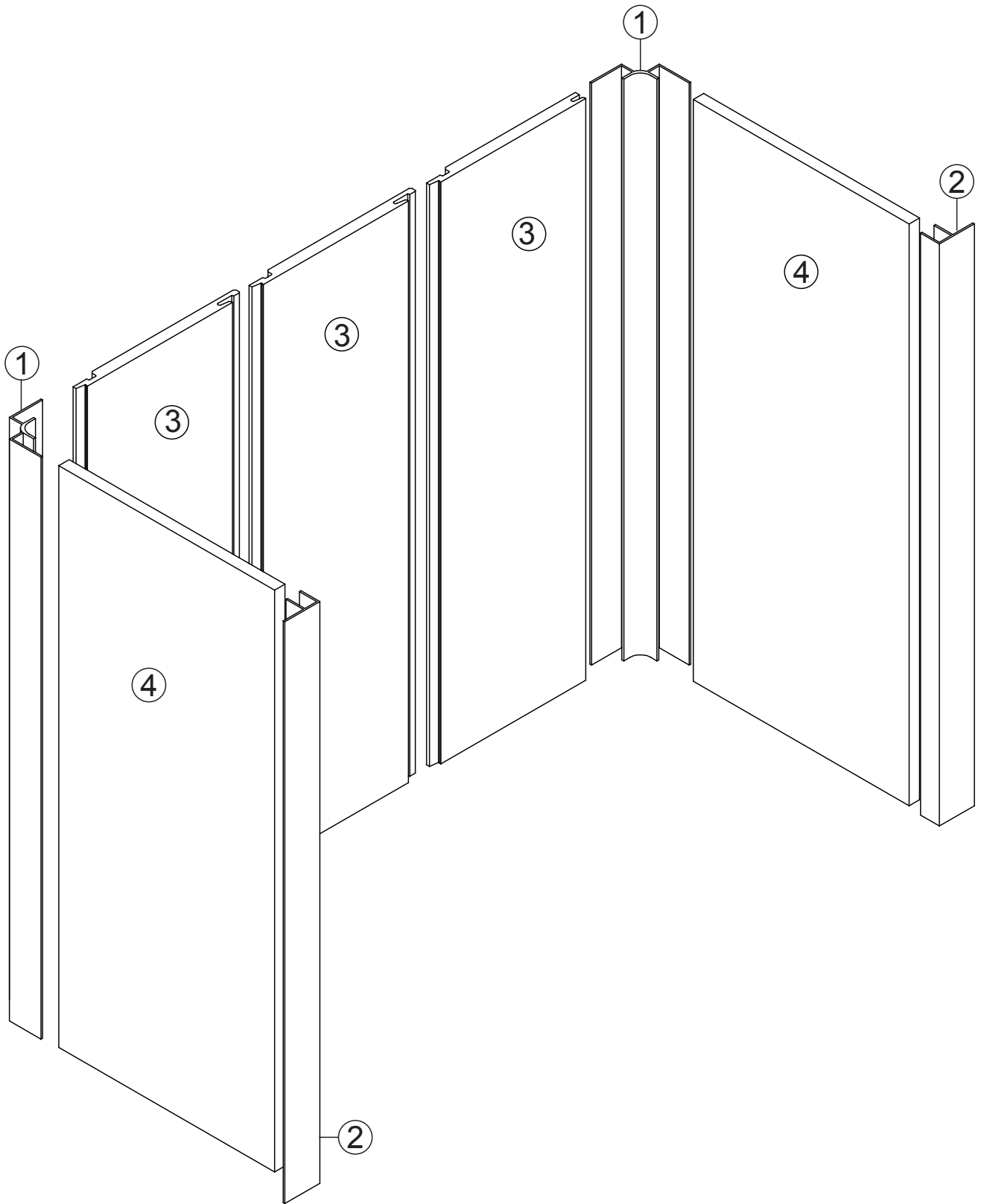
MISENO

READYSET

FIVE PANEL SHOWER WALL SYSTEM
MODEL#: MSW786032

READ THE INSTRUCTIONS CAREFULLY. Familiarize yourself with all the parts as shown in the exploded view. The exploded view will also provide a helpful reference when relating to the location of the various parts and how they are mounted.

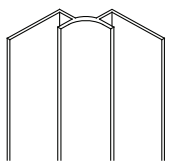
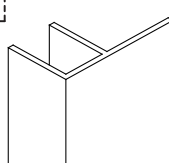
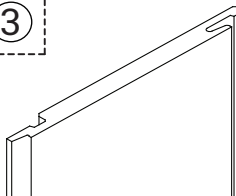
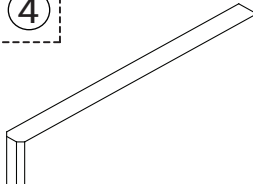
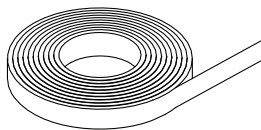




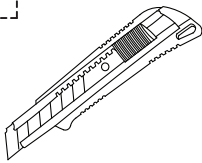
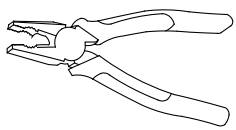
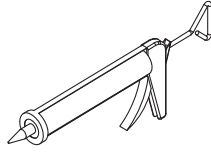
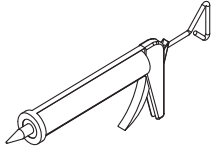
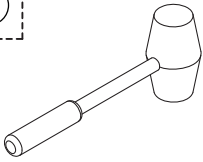
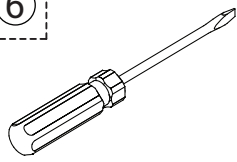
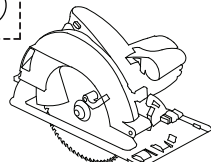
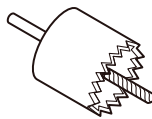
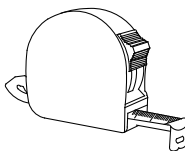
CAUTION: Do not set on corners when handling wall pieces.

NOTE: Optional Internal Corner Trim and Edge Trim pieces are provided in the kit but are not necessary to complete the application of the READYSET Shower Wall System. Read through the instruction manual in its entirety to understand how the wall panels can be installed to fit over your existing walls.

SUPPLIED IN KIT

① 	② 	③ 	④ 	⑤ 
Internal Corner Trim	Edge Trim	Tongue & Groove Panel	Beveled Edge Panel	Double Sided Construction Tape

RECOMMENDED TOOLS FOR INSTALLATION (NOT INCLUDED)

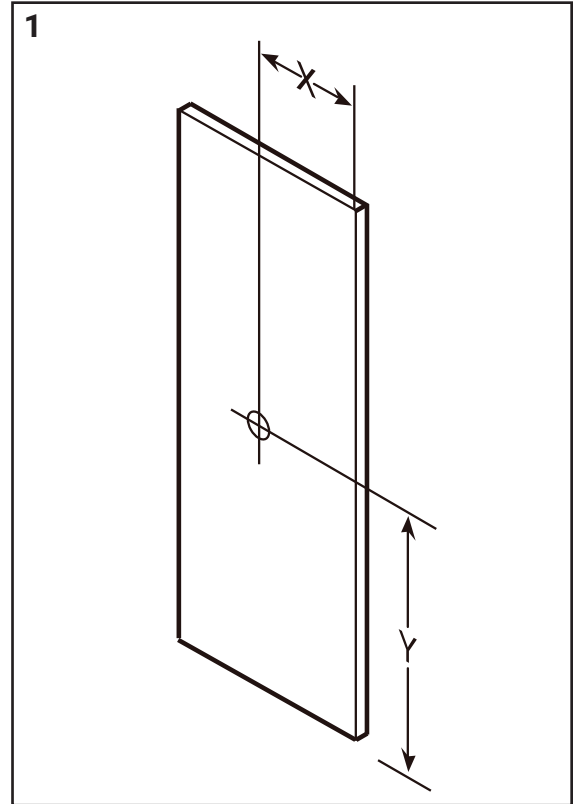
① 	② 	③ 	④ 	
Utility Knife	Locking Pliers	Construction Grade Adhesive	Silicone	
⑤ 	⑥ 	⑦ 	⑧ 	⑨ 
Rubber Mallet	Flathead Screw Driver	Circular Saw	Hole Saw	Measuring Tape

1: Measure & Cut

Measure the installation area, both back wall and sidewall, from the top of your alcove to the shower/tub base to determine the cut dimensions for the wall panel(s). Measure and cut wall panels accordingly at steps number 5 and 8 depending on if you are using optional internal corner trim pieces or not.

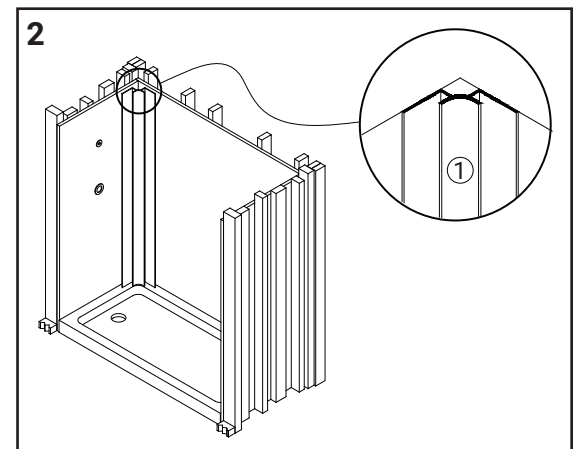
Measure and mark the location on the back side of the beveled edge wall panel of the handle, showerhead, bath spout, and other components within your shower. Using the appropriate sized hole saw, cut out plumbing fixture holes from the back side of beveled edge wall panel.

IMPORTANT: Drill chuck can damage wall panel. Drill holes from back side of wall panel.



2: Installation of Internal Corner Trim (Optional)

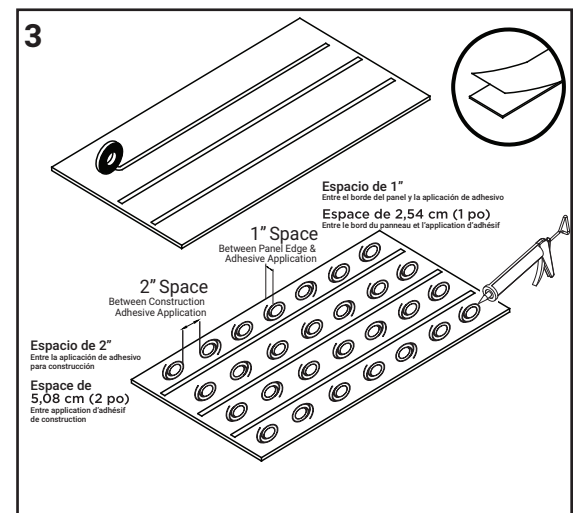
Apply construction grade adhesive to the backside of the internal corner trim. Position the edge trim and push into place as shown.



3: Applying Adhesive and Tape to Back Side of All Wall Panels

Apply double-sided construction tape to all of the back of the wall surface as shown.

Apply construction grade adhesive to the back wall panel in a circular pattern. The beads of adhesive should be 2" apart and up to and no closer than 1" from panel edge. Repeat Step 3 for each wall panel.



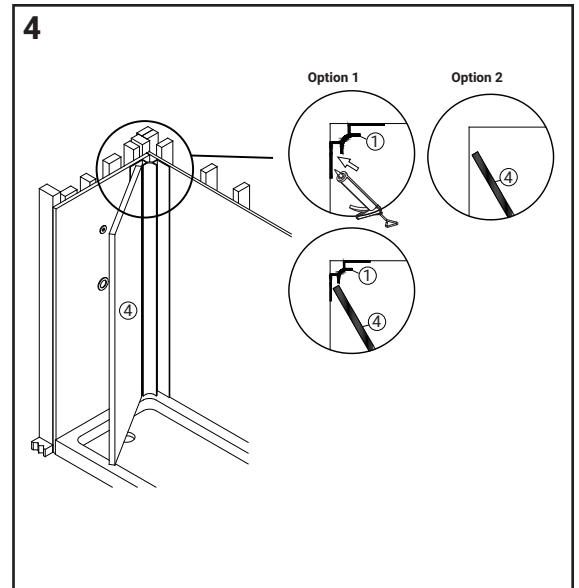
4: Installing Side Wall Panel

Option 1

Peel off double-sided tape on the back side of the beveled edge wall panel and fill the gap of the internal corner with silicone before installing wall panel. Position the wall panel to be installed at an angle of approximately 30°, and carefully push it towards the back wall. Lightly tap on wall panel with rubber mallet from top to bottom to make sure it's tightly connected to the wall.

Option 2

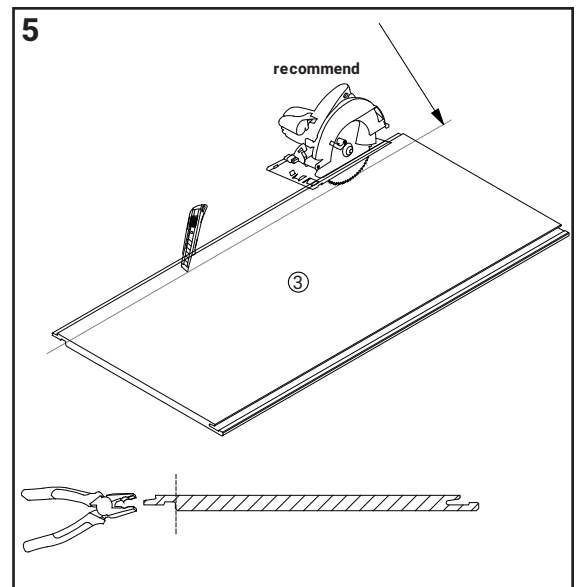
Peel off double-sided tape on the back of the beveled edge wall panel. Position the wall panel to be installed at an angle of approximately 30°, and carefully push it towards the back wall. Lightly tap on wall panel with rubber mallet from top to bottom to make sure it's tightly connected to the wall.



5: Cut the Tongue Side of Wall Panel

Follow the tongue side and gently apply forward pressure along the side of the tongue and groove wall panel using either a circular saw or an utility knife as shown. Carefully repeat above steps a couple of times and snap tongue off with a vise grip.

IMPORTANT: Depending on if you are using the optional internal corner trim or not, measure and cut appropriately for the exiting space needed to complete your corner. You may have to cut beyond or less of the tongue side of the panel to ensure a proper fit and finish.



6: Corner Installation of the Tongue and Groove Panel

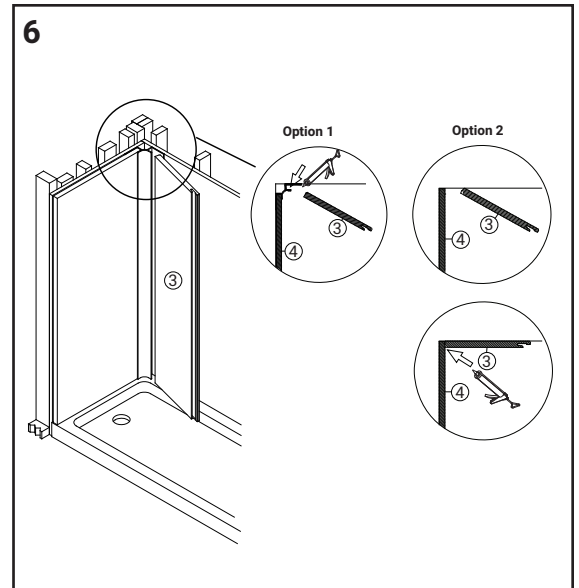
Option 1

Peel off double-sided tape and fill the gap of the internal corner trim with silicone before installing wall panel. Position the wall panel to be installed at an angle of approximately 30°, and carefully push it towards the back wall. Lightly tap on wall panel with rubber mallet from top to bottom to make sure it's tightly connected to the wall.

NOTE: Insert the tongue side into corner trim, not the groove side.

Option 2

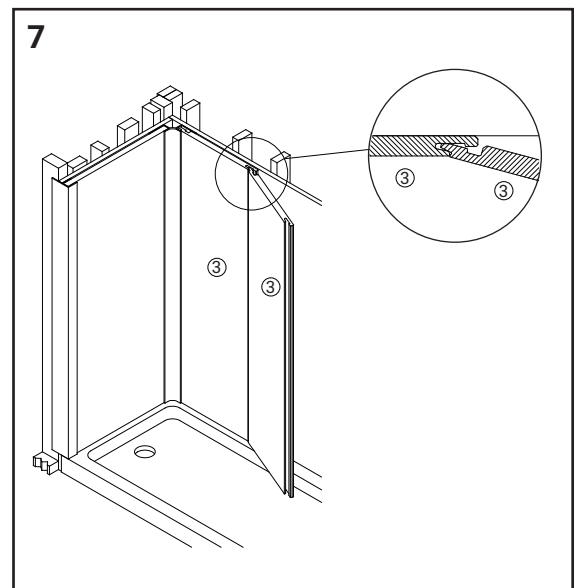
Peel off double-sided tape on the back of the tongue and groove wall panel. Position the wall panel to be installed at an angle of approximately 30°, and carefully push it towards the back wall. Lightly tap on wall panel with rubber mallet from top to bottom to make sure it's tightly connected to the wall.



7: Installing the Center Tongue and Groove Panel

Peel off double-sided tape on the back side of the tongue and groove wall panel. Position the center tongue and groove wall panel to be installed at an angle of approximately 45° to the existing tongue and groove wall panel. Move the panel gently while exerting forward pressure and carefully push it towards the back wall. Lightly tap on wall panel with rubber mallet from top to bottom to make sure it's tightly connected to the wall.

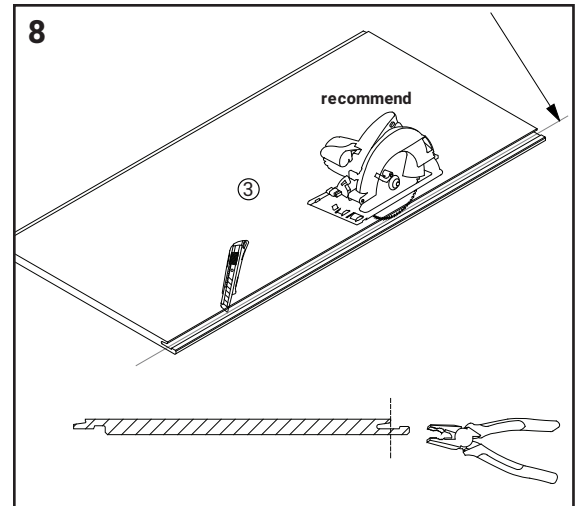
IMPORTANT: It's crucial to align the tongue into the groove before exerting forward pressure.



8: Cut the Groove Side of Wall Panel

Follow the groove side and gently apply forward pressure along the side of the angle and lock wall panel using an utility knife or circular saw as shown. Carefully repeat above steps couple times and snap the groove off with a vise grip.

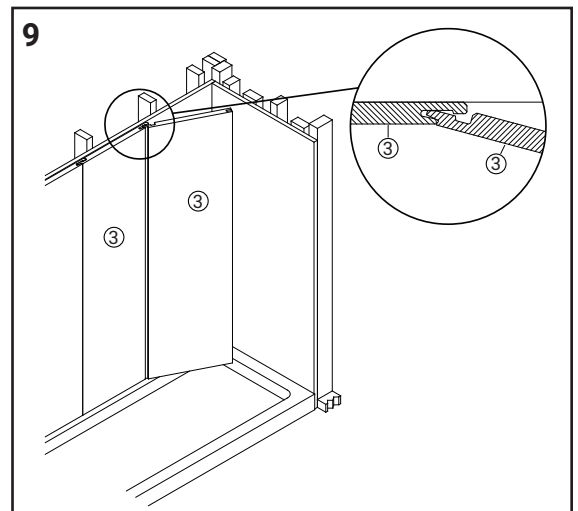
IMPORTANT: Depending on if you are using the optional internal corner trim or not, measure and cut appropriately for the exiting space needed to complete your corner. You may have to cut beyond or less of the tongue side of the panel to ensure a proper fit and finish.



9: Installing the Final Tongue and Groove Panel

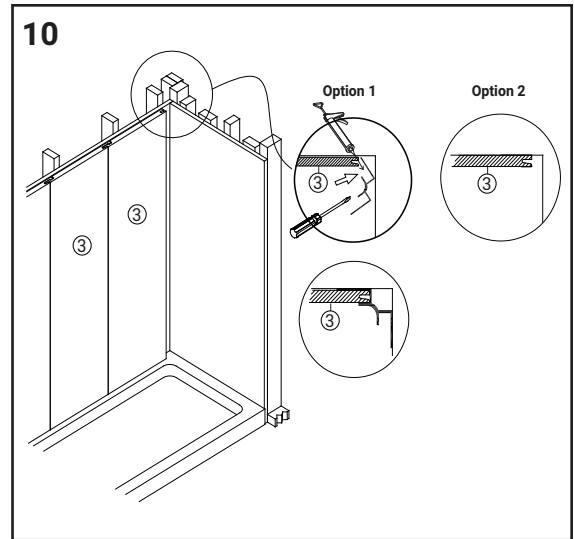
Peel off double-sided tape on the back side of the tongue and groove wall panel. Position the tongue and groove wall panel to be installed at an angle of approximately 45° to the panel already installed. Move the panel gently while exerting forward pressure and carefully push it towards the back wall. Lightly tap on wall panel with rubber mallet from top to bottom to make sure it's tightly connected to the wall.

IMPORTANT: It's crucial to align the tongue into the groove before exerting forward pressure.



10: Corner Installation of the Tongue and Groove Panel with Internal Corner Trim (Optional)

Fill the gap of the internal corner trim with silicone before installing wall panel. Insert the optional internal corner trim 45° into the end side of wall panel. Use a flathead screw driver to exert forward pressure and snap in with ease. Make sure the corner trim is tightly attached to the wall panel and corner of wall.



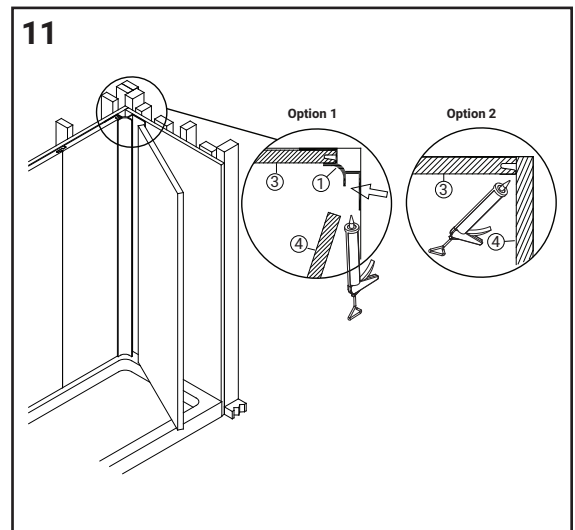
11: Installing the Final Beveled Edge Panel

Option 1

Peel off double-sided construction tape and fill the gap of the internal corner trim with silicone before installing wall panel. Position the beveled edge wall panel to be installed at an angle of approximately 30°, and carefully push it towards the back wall. Lightly tap on wall panel with rubber mallet from top to bottom to make sure it's tightly connected to the wall.

Option 2

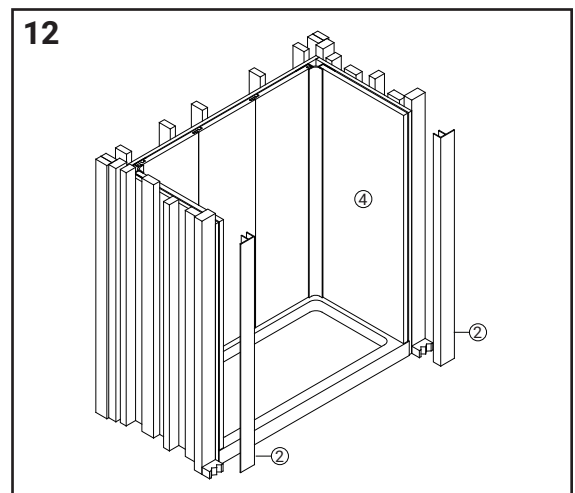
Peel off double-sided tape on the back of the beveled edge wall panel. Position the wall panel to be installed at an angle of approximately 30°, and carefully push it towards the back wall. Lightly tap on wall panel with rubber mallet from top to bottom to make sure it's tightly connected to the wall.



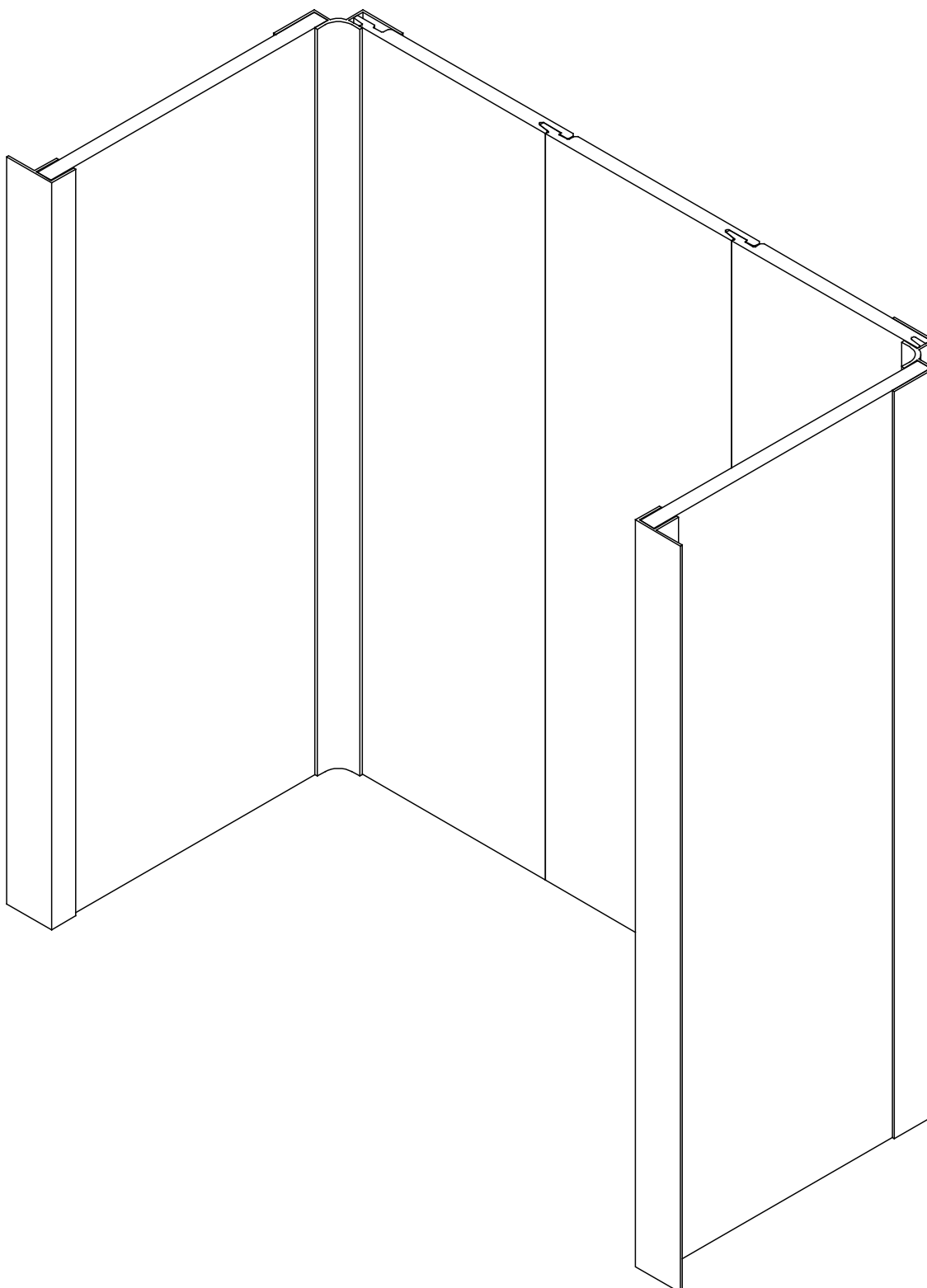
12: Installing the Edge Trim (Optional)

Apply construction grade adhesive to the backside of the internal corner trim. Fill the gap of the edge trim with silicone before installing it onto the wall panel. Position the edge trim and push into place.

Note: Measure and cut Edge Trim fin to cover tile or existing wall material if necessary.



IMPORTANT: Properly caulk around the READYSET Shower Wall System to ensure a secure fit and finish. This includes, but not limited to: around the top, sides, bottom, and interior corners of the shower walls. Please keep the entire area dry for a minimum of 24 hours before use. Your installation is now complete.



PREPARATION TIPS

- Begin by measuring the width of the back wall, after it has been cleaned and prepared for installation. If this measurement exceeds the width of the READYSET Shower Wall System back panels that came with your kit, you will need to purchase a larger kit or additional wall panels.
- Then, measure the height of the back and side walls above the bathtub or shower base. If the height of the walls is less than the height of the READYSET panels, they can be easily cut to fit.
- Turn off the water supply.
- Remove all shower hardware and decorations, including but not limited to: faucet handles, escutcheons, filler spouts, towel bars, and soap dishes.
- Measure the location of the plumbing cutouts, as stated in the instructions. To be sure your measurements are correct, make a cardboard template to test the plumbing cutouts prior cutting the READYSET panels.
- All plumbing and electrical work inside the walls must be finished prior to installing the wall panels.
- Before you begin, trial fit the side panels. The unfinished back side of the panel should be placed against the sub-wall.
- Walls should be solid, plumb, and square within 1/8 inch of true. The READYSET Shower Wall System has been designed to allow for trimming, to accommodate minor alignment problems.
- The mounting surface should be cleaned and prepared, according to the Installation Procedure.
- If you plan to install a recessed accessory, cut the panel accordingly after it has been fully installed, and had the proper time to adhere to the wall. Remember to be considerate of wall studs when positioning the accessory.

CAULKING TIPS

- Follow the instructions on the tube of your chosen caulk.
- Once you have completed the project, inspect all of the areas that have been caulked for gaps. Fill in the areas as needed.
- Remove any excess caulk using denatured alcohol and a clean cloth. Use caution, and do not to disturb any of the caulk joints.

INSTALLATION PROCEDURE

The READYSET Shower Wall system can be installed over a variety of products. Consult with a professional contractor if you intend to apply the panels to any surface than those described.

CEMENT/CONCRETE:

- Additional silicone may be required to properly secure the substrate and the wall panel, depending on the condition (flatness) of the existing wall.
- The complete area must be sealed with two coats of water or oil-based sealer, to ensure proper adhesion of the READYSET Shower Wall System.
- Complete the installation of the wall panels following the instruction manual, after the sealer has completely dried.

MASONITE:

- Surface must be completely clean. This includes but not limited to: soap scum, free of any dust, and any other contaminates.
- Complete the installation of the wall panels following the instruction manual, after the sealer has completely dried.

OLD TILE:

IMPORTANT: All plastic tiles must be removed. Old ceramic tiles do not need to be removed, if solidly adhered.

- Additional silicone may be required to properly secure the substrate and the wall panel, depending on the condition of the existing wall.
- Properly remove and or reattach any loose ceramic tiles.
- Remove all tile accessories attached to the wall.
- Complete the shower wall installation by following the instruction manual.

PLASTER:

- Additional silicone may be required to properly secure the substrate and the wall panel, depending on the condition of the existing wall.
- Smooth all textured and/or swirled finishes by sanding.
- Surface must be completely clean. This includes but not limited to: soap scum, free of any dust, and any other contaminates.
- Complete the installation of the wall panels following the instruction manual, after the sealer has completely dried.

SHEETROCK/GREENBOARD/CEMENT BOARD/ WOOD:

- Surface must be completely clean. This includes but not limited to: soap scum, free of any dust, and any other contaminates.
- Complete the installation of the wall panels following the instruction manual, after the sealer has completely dried.

WALLPAPER:

- Properly remove all wallpaper from the area being covered. Surface must be completely clean. This includes but not limited to: soap scum, free of any dust, and any other contaminates.
- Complete the installation of the wall panels following the instruction manual, after the sealer has completely dried.

LIMITED WARRANTY

Miseno warrants to the original purchaser that this READYSET Shower Wall System kit will be free of manufacturing defects, which affect its performance as a bathing or showering fixture, under the following conditions and subject to the limitations contained in the "Remedies" and "Warranty Limitations" sections.

The Limited Warranty applies for 10 years from the date of purchase if the fixture is used in a residential owner-occupied building for non-commercial purposes; or for 2 years from the date of purchase if it is used in any other building, including any building used for rental, commercial, or business purposes.

- This Limited Warranty is void if the fixture is not installed in accordance with the installation instructions supplied by Foremost, or local building codes and ordinances, or if the care and cleaning instructions supplied by Miseno are not followed.
- This Limited Warranty is also void if the fixture is moved from the location of its initial installation, or is subjected to accident, abuse, or misuse.
- The Limited Warranty excludes normal wear and tear, and does not cover damage that can be repaired by following the Scratch Removal Instructions.

REMEDIES:

The original purchaser's remedy under this Limited Warranty is limited to the repair, replacement, or refund of the purchase price of the fixture, at Miseno's sole option, of any part of the fixture which has failed or does not conform to the manufacturer's specifications.

In no event shall Miseno be liable for lost profits, loss of use, incidental, special or consequential damages including, but not limited to, damage to or loss of use of the building or its contents, arising out of any defect in the fixture; nor shall Miseno be liable for any amount in excess of the original purchase price of the fixture.

Miseno reserves the right to require the return, at purchaser's expense, of the damaged fixture for repair or exchange before providing services under this Limited Warranty. If Miseno elects to replace the fixture, its obligation is limited to supplying a replacement unit or component part of comparable size and style, and does not include the cost of removal, installation, or transportation, which must be borne by the purchaser.

Replacement parts provided under this Limited Warranty are warranted for the remainder of the original warranty period applicable to the fixture, as if such parts were original components of that fixture.

WARRANTY LIMITATIONS:

THERE ARE NO WARRANTIES WHICH EXTEND BEYOND THE DESCRIPTION ON THE FACE HEREOF. IMPLIED WARRANTIES, INCLUDING THOSE OF MERCHANTABILITY OR FITNESS FOR A PARTICULAR PURPOSE, ARE EXPRESSLY DISCLAIMED. MISENO DISCLAIMS ANY AND ALL LIABILITY FOR SPECIAL, INCIDENTAL OR CONSEQUENTIAL DAMAGES. Some states or provinces do not allow limitations of incidental or consequential damages, so the above limitations and exclusions may not apply to you. In such states or provinces, Miseno's liability shall be limited to the extent permitted by state or provincial law. ANY IMPLIED WARRANTIES ARISING BY WAY OF STATE OR PROVINCIAL LAW, INCLUDING ANY IMPLIED WARRANTY OF MERCHANTABILITY OR ANY IMPLIED WARRANTY OF FITNESS FOR A PARTICULAR PURPOSE, ARE LIMITED IN DURATION AND IN SCOPE OF COVERAGE TO THE TERMS OF THIS LIMITED WARRANTY, UNLESS A SHORTER PERIOD IS ALLOWED BY LAW.