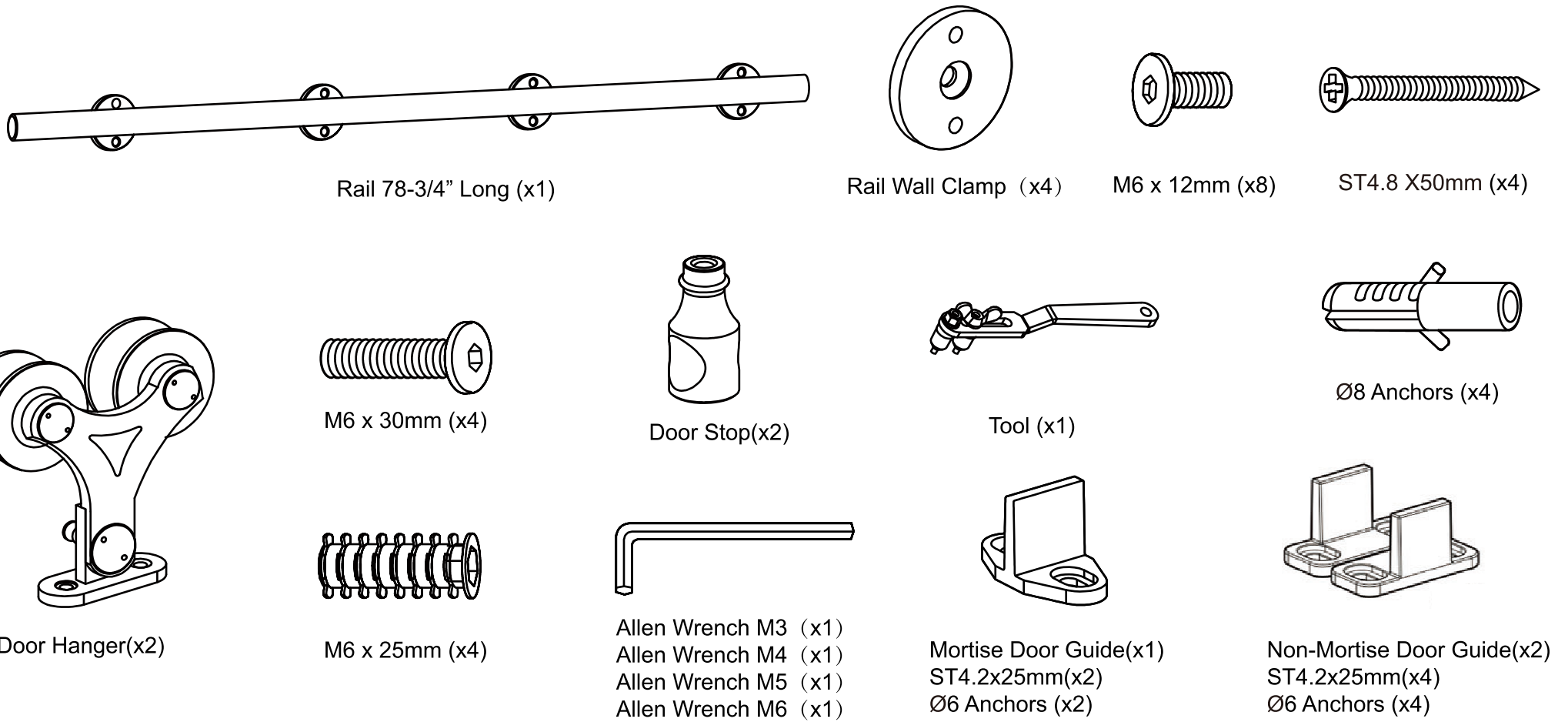


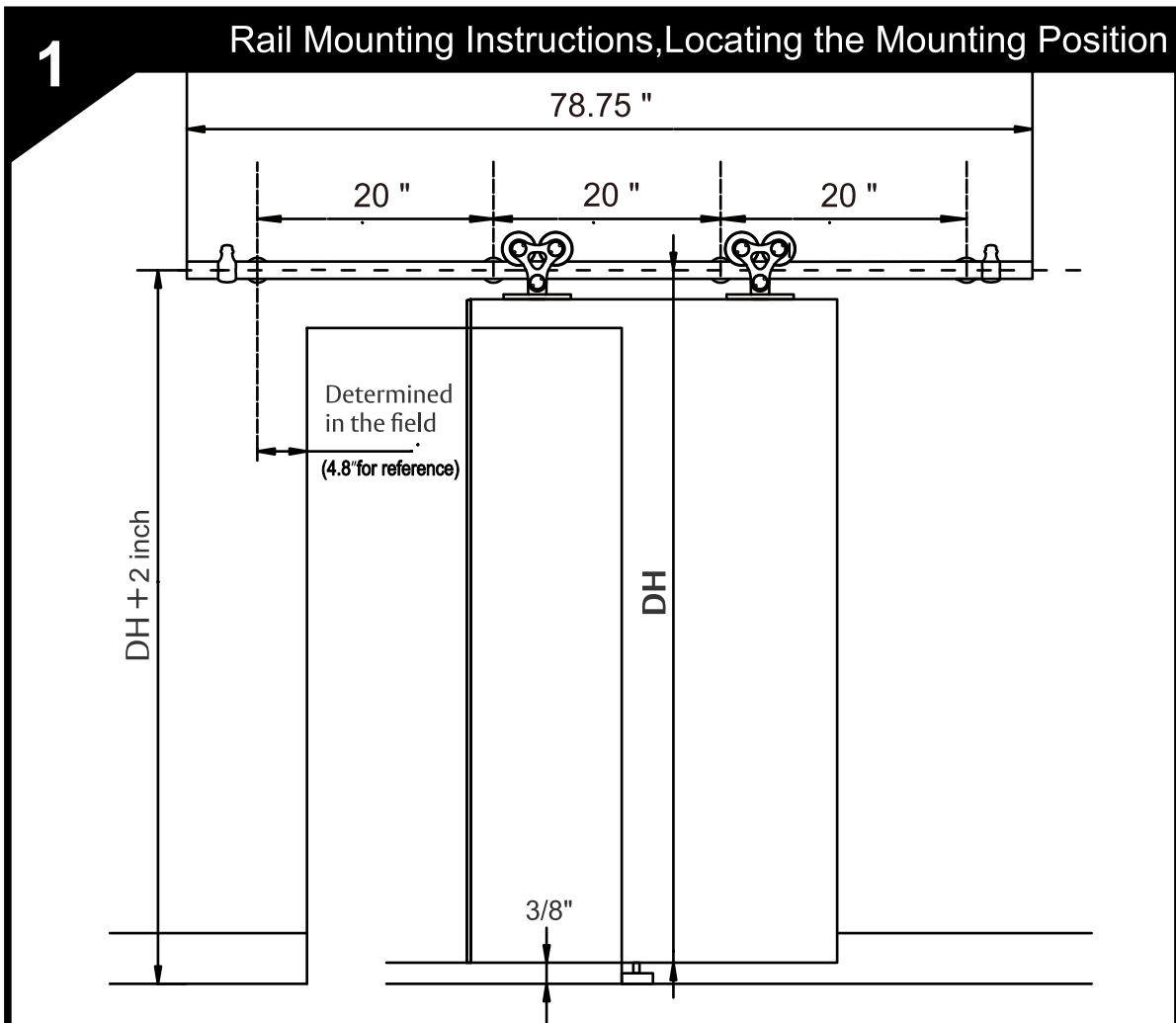
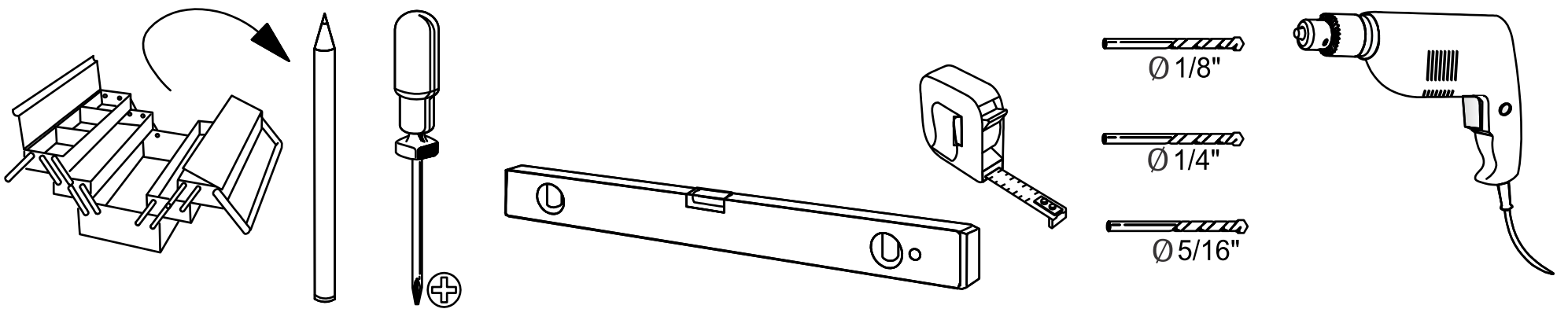
Barn Door Hardware Installation

For Use with 78-3/4" Round Rod Double Roller Kits

Parts Included:



The tools below are NOT included in the package and are needed for installation.

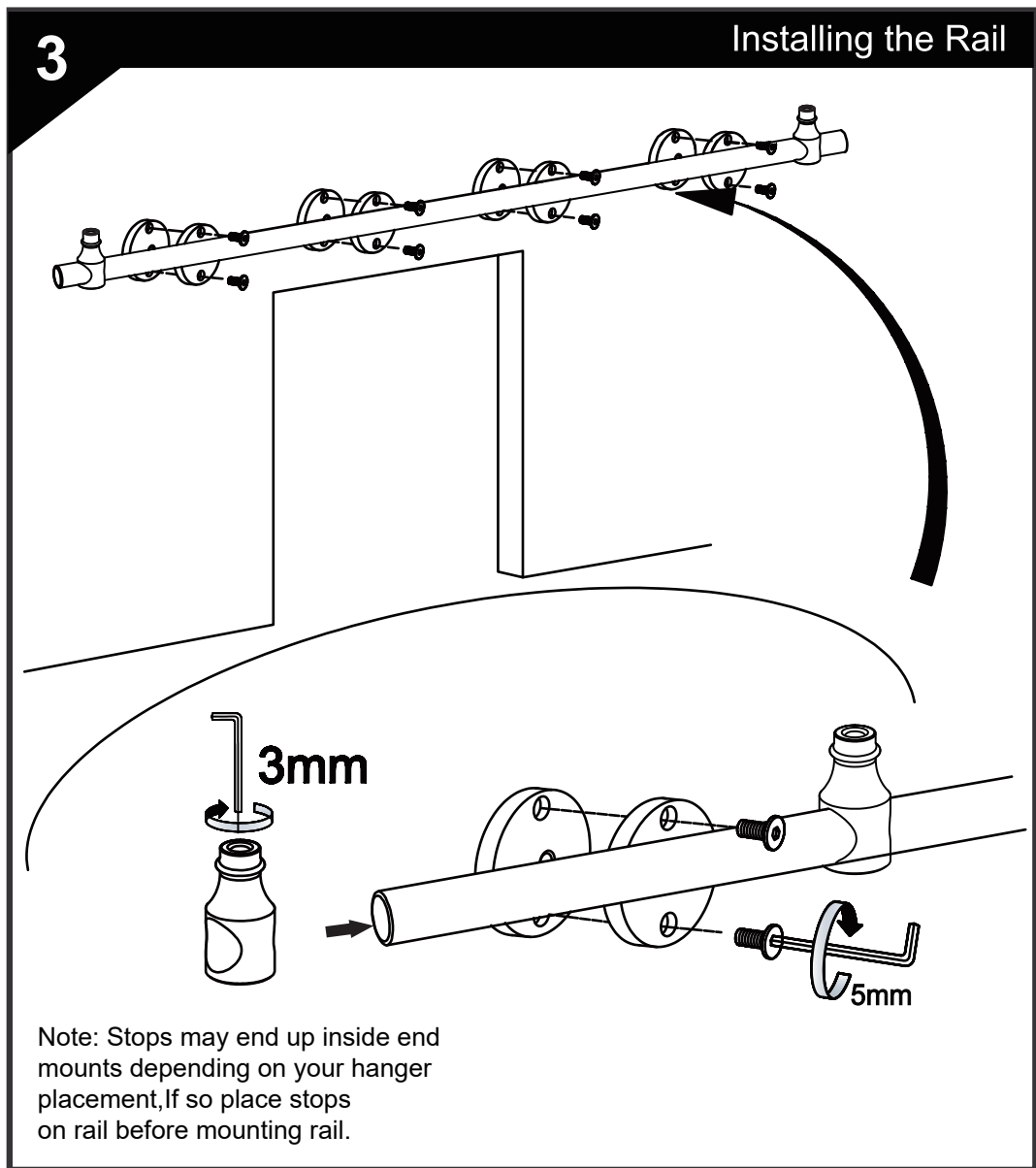
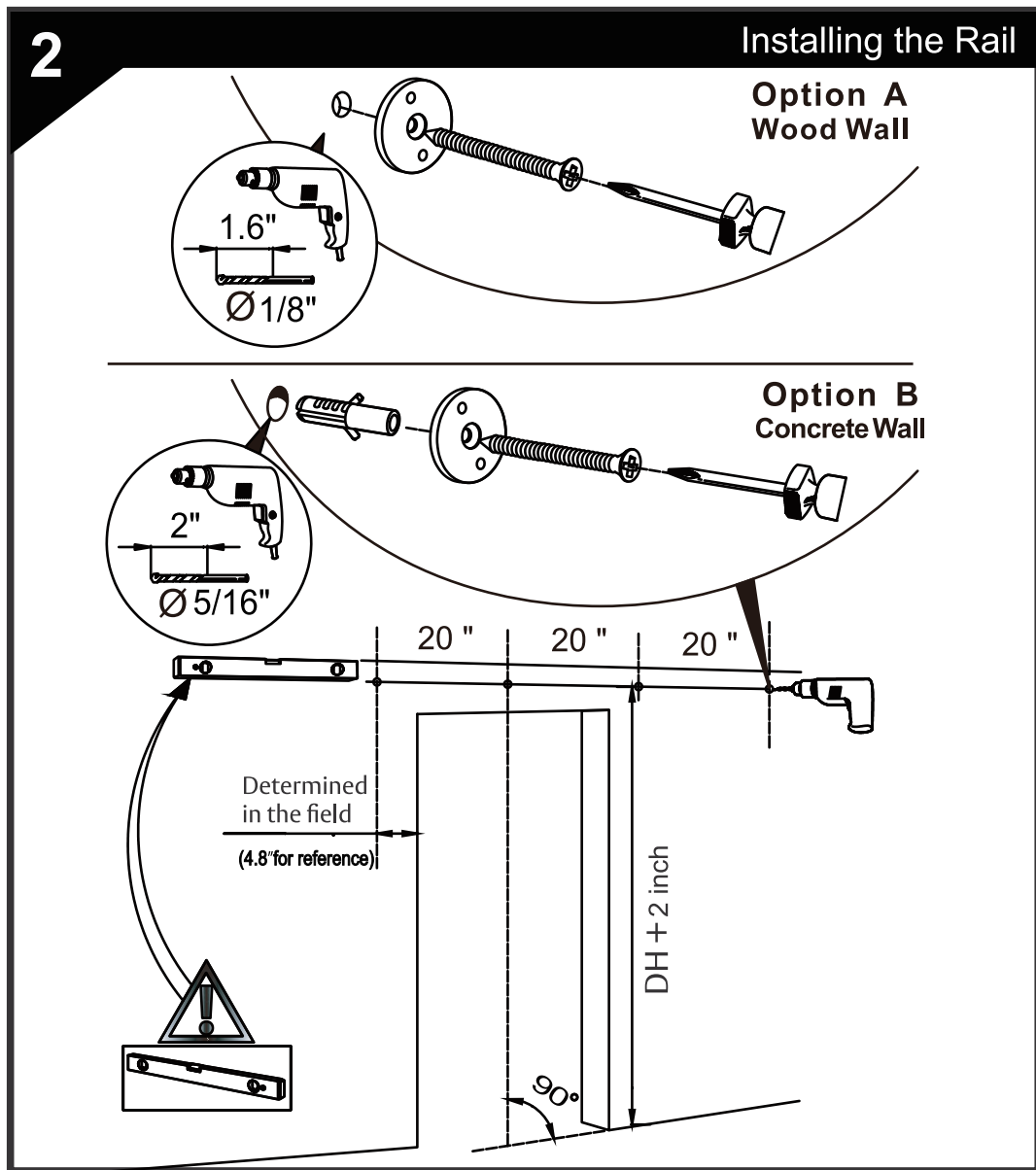


DH = Door Height

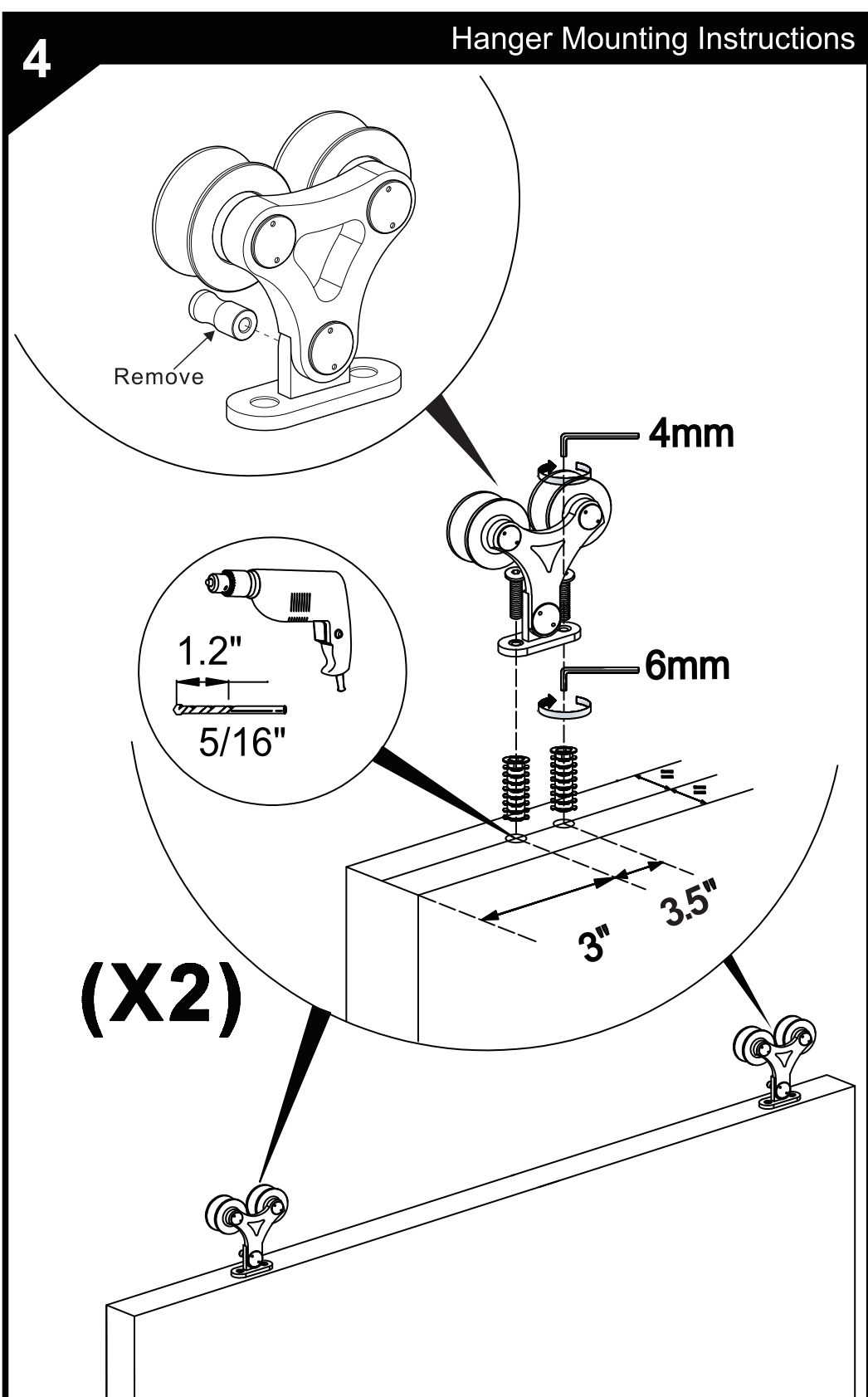
Recommend that you layout your door and hardware on the floor first to determine spacing.

Measure twice Mount once

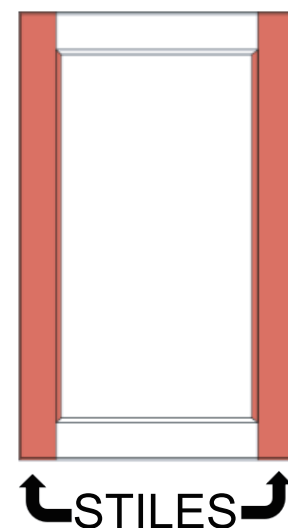
Rail must be level to keep door from moving by itself!



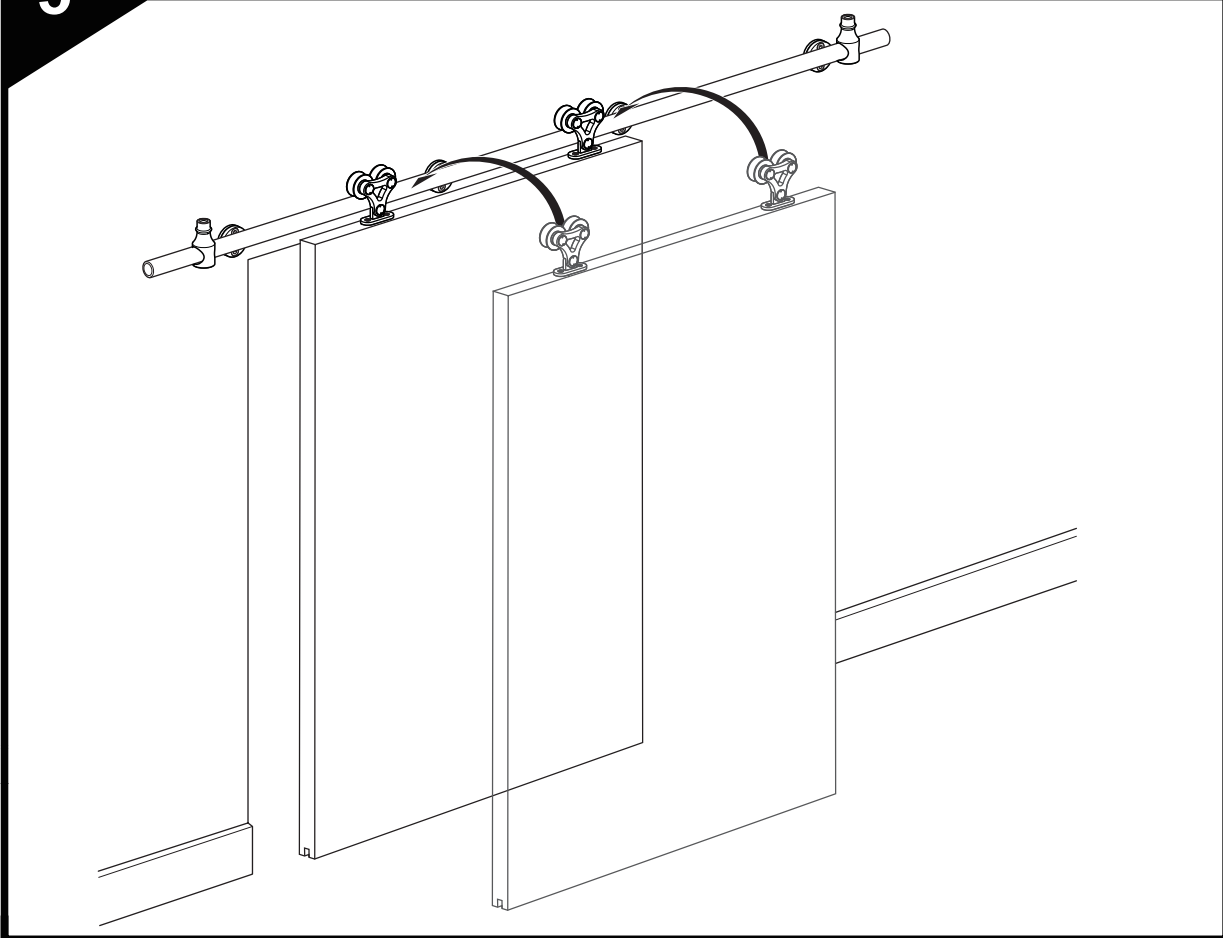
All Rail Mounts must be screwed into a solid Wood Header



Hanger position from the edge can vary based on your door design. Position Shown is for a flat Surface Door you may have to Adjust to center Hanger onto the vertical styles of your door

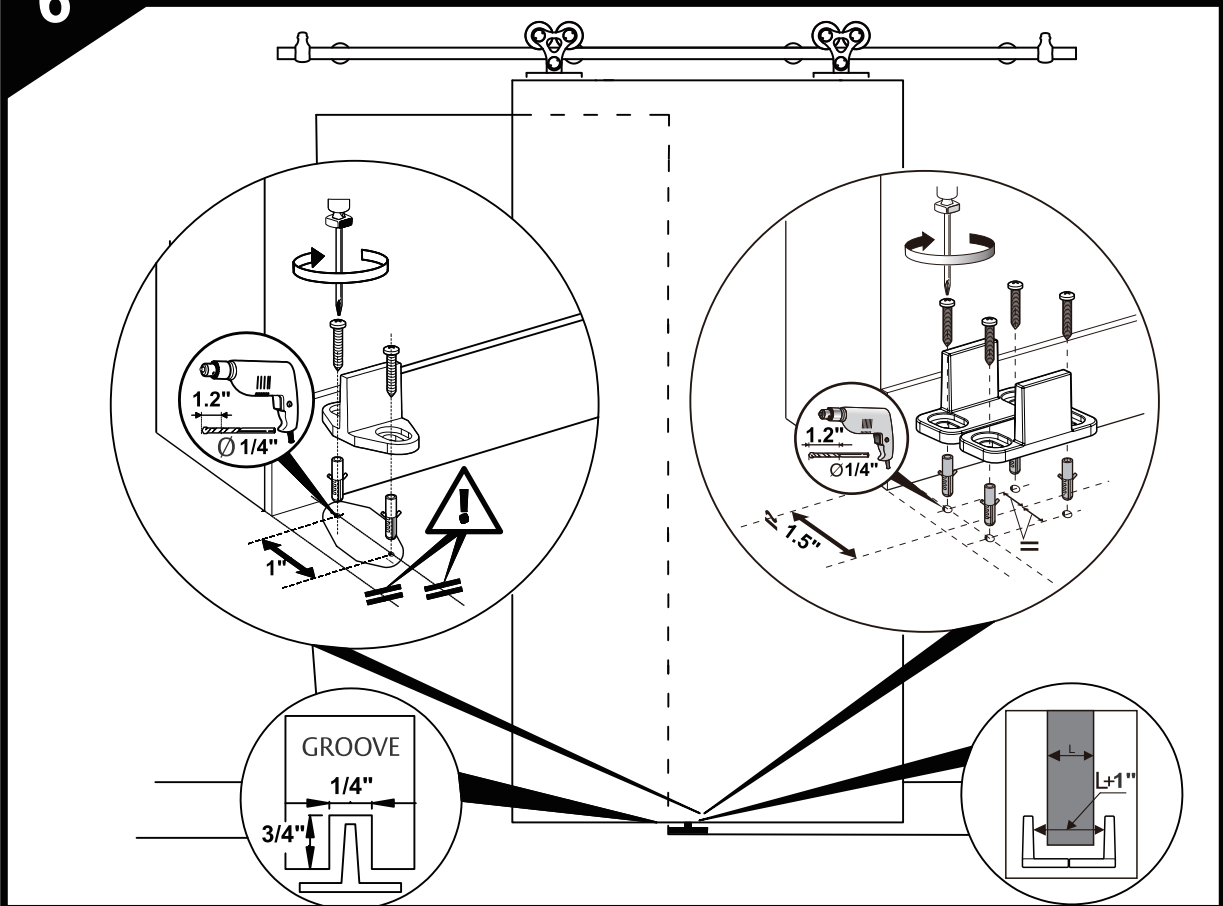


5 Final Door Hanging



Hang the door and slide it into the Floor Guide .

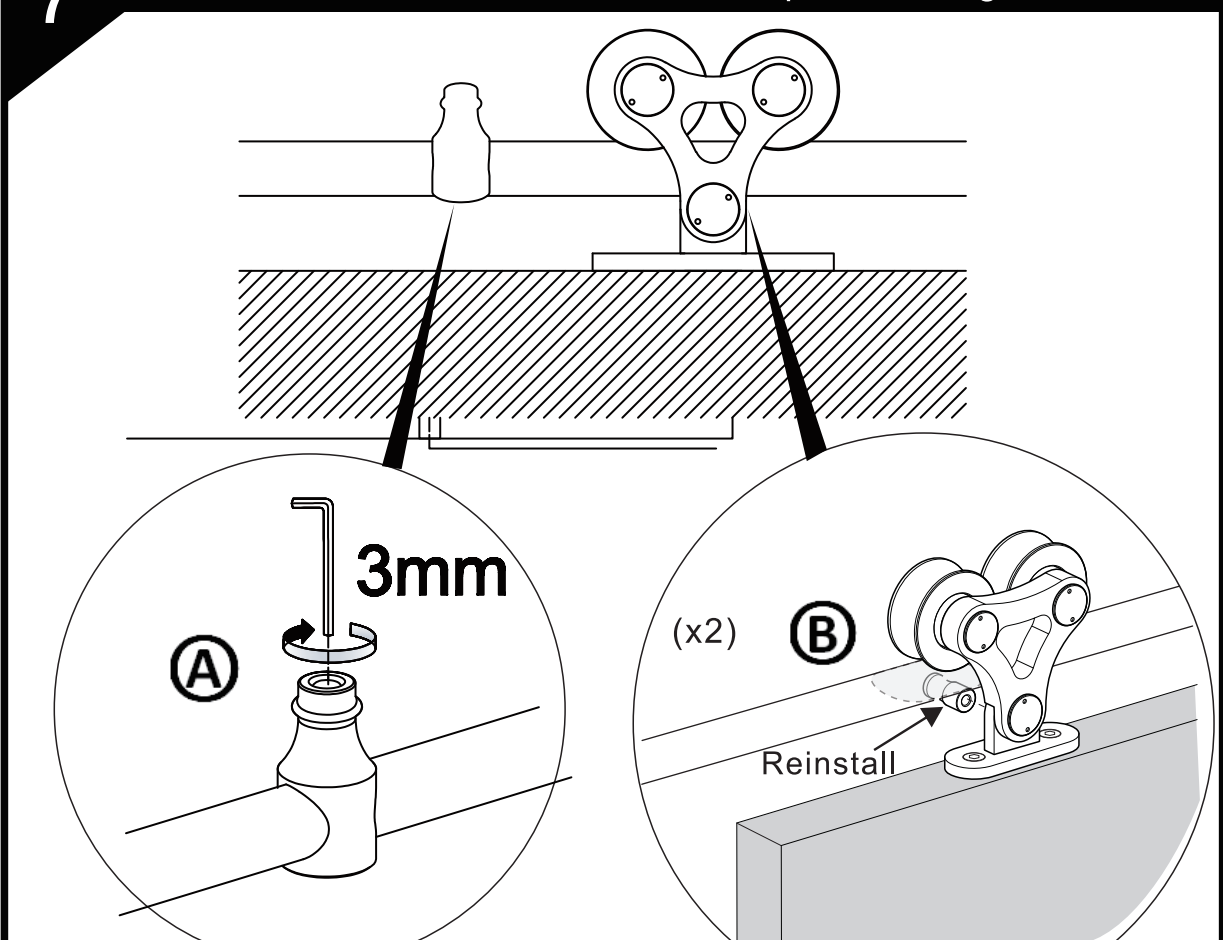
6 Bottom Guide Mounting Instructions



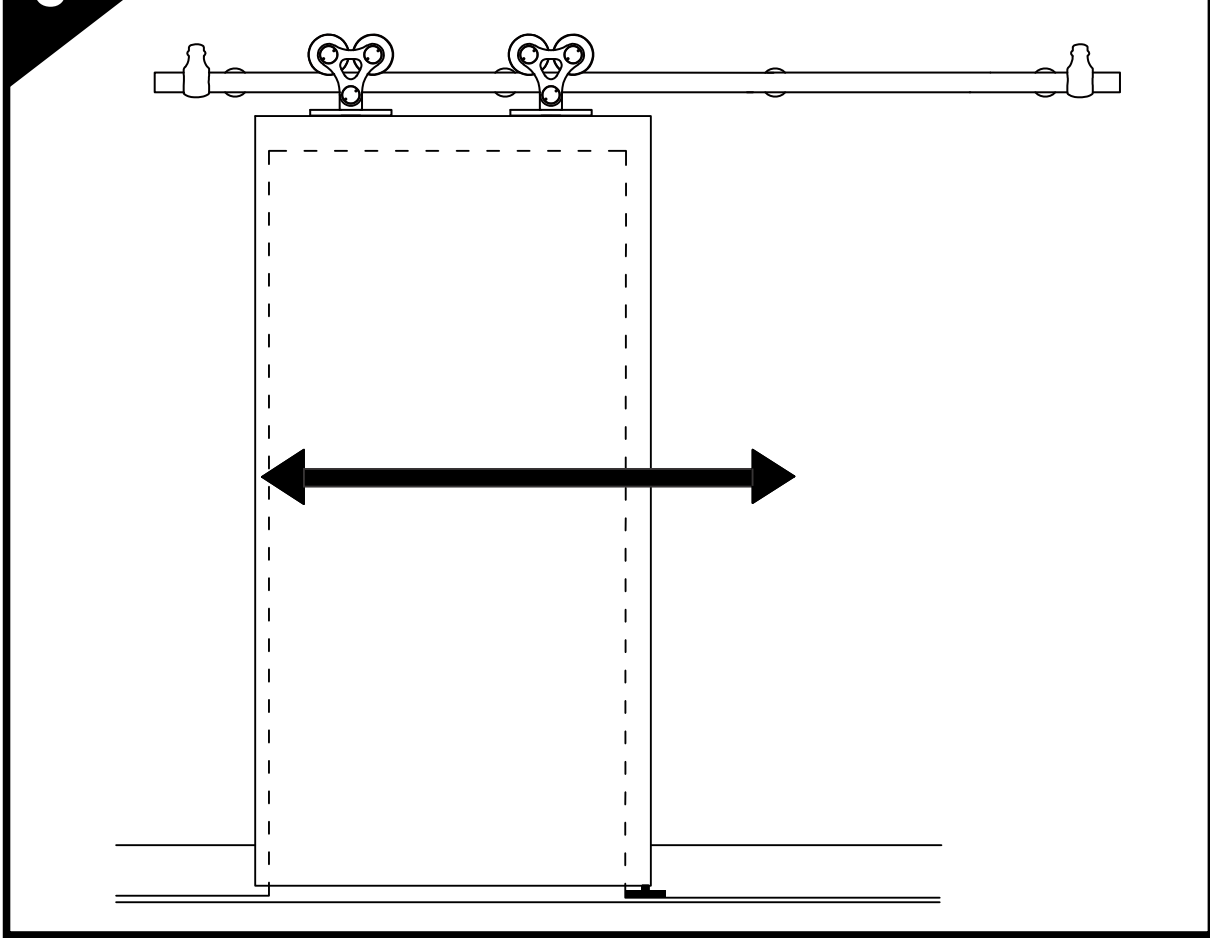
The Guide Stabilizes the door by keeping the bottom from Swinging. Kit includes both a Mortise (Grove in the bottom of the door) and a Non-Mortise option.

This step will require hanging and removing the door to measure and install the Guides

7 Door Stop Positioning Instructions



- A** Adjust your Door Stops to your desired position and lock down your Door Stops with the Allen Wrench Provided
- B** Reinstall Anti-jump pins to keep door safely on the rail when in use



Door should Slide smoothly in both Directions

Optional Accessories

Handles Interior and Exterior

Handles make Opening and Closing the door easier



Privacy Latch

Especially important on bathroom doors



Expansion Parts

Rail Joiner



Steel Door Guides

Low Profile and Industrial look wall mount

