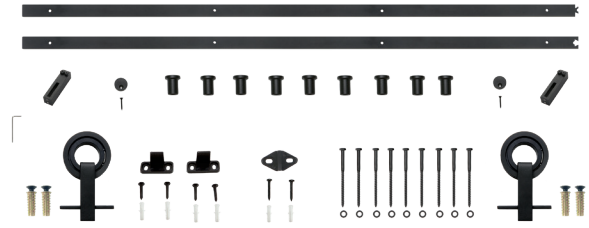


HBD5055X120

BARN DOOR HARDWARE KIT - BEARING ROLLER TOP MOUNT

For Doors up to 60" W
Rail Length: 120"



Available Finishes:



Black



Stainless

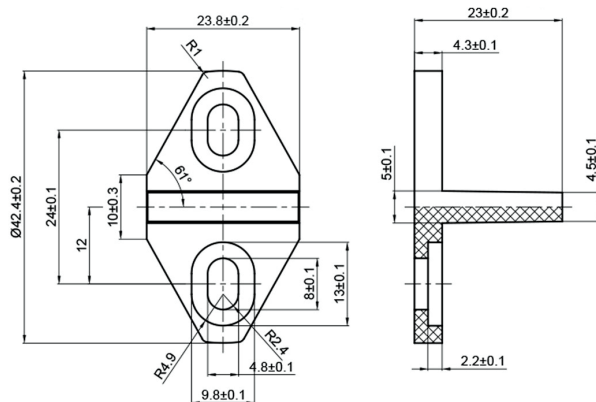
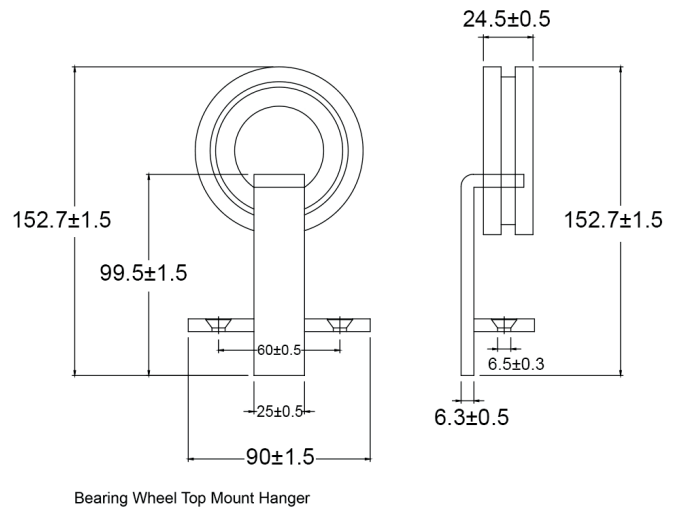
FEATURES:

- Black: POM Roller Wheel 3.27" Diameter
- Stainless Steel: Stainless Roller 3.27" Diameter
- Steel 2-1/2" Diameter Roller Bearings
- Track Size: 1/4" Steel, 1-1/2" x 60" (2)
- Strap Size: 1/4" Steel, 6" x 1"
- Material (Black): Steel
(Stainless): Stainless Steel 304

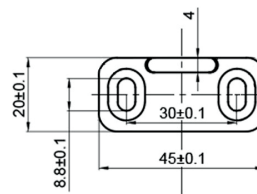
BOM:

- Rail 60" Long, Pre-Drilled for Mounting (2)
- Rail Spacer (9)
- Rail Mount Lag Bolts M8 x 90mm (9)
- Rail Mount Washer M8 (9)
- Top Mount Bearing Roller Hanger (2)
- Hanger Mounting Screws M6 x 30mm (4)
- Hanger Mounting Anchor M6 x 25mm (4)
- Hanger Mounting Anchor $\Phi 8$ x 25mm (4)
- Mortised Door Guide (1) with Screws ST4.2 x 25mm (2) Anchor $\phi 6$ (2)
- Non-Mortised Door Guide (2) with Screws ST4.2 x 25mm (4) Anchor $\phi 6$ (4)
- Anti Jump Disk with Screws ST4 x 25mm (2)
- Rail Door Stops Tall (2)
- Allen Wrench M2 for Door Stops (1)
- Allen Wrench M4 for Hanger Mounting Screws (1)
- Allen Wrench M6 for Hanger Mounting Anchor (1)
- Installation Instructions

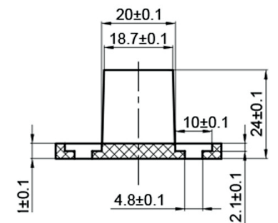
DRAWINGS:



Mortise Floor Guide



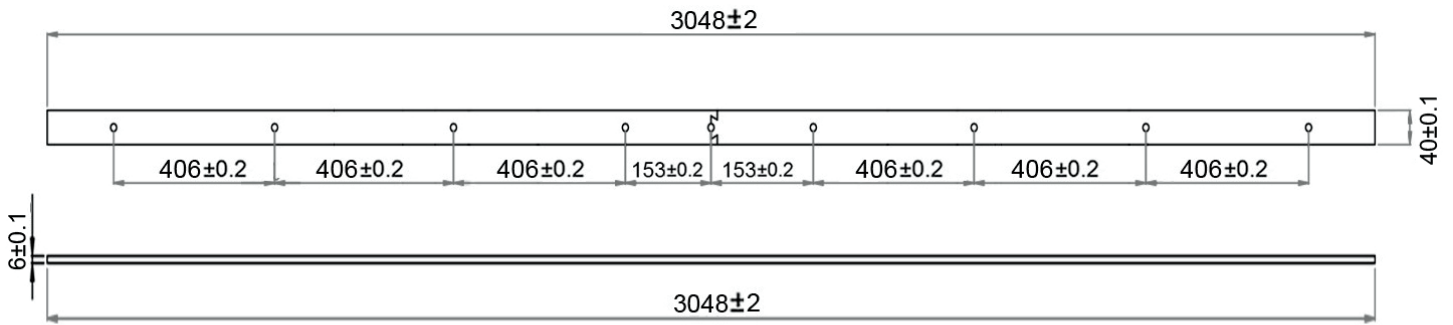
Non-Mortise Floor Guide



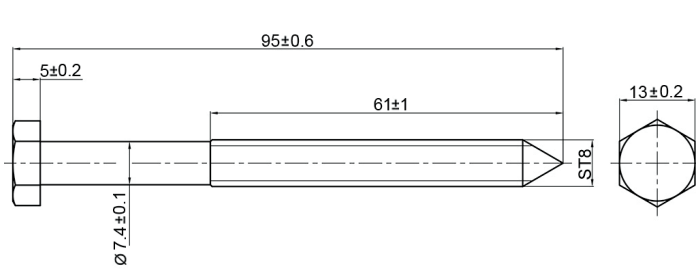
HBD5055X120

BARN DOOR HARDWARE KIT - BEARING ROLLER TOP MOUNT

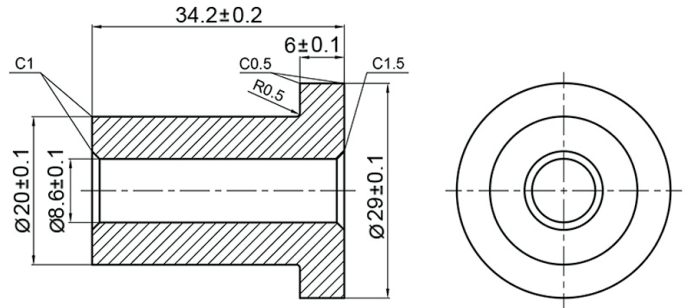
DRAWINGS:



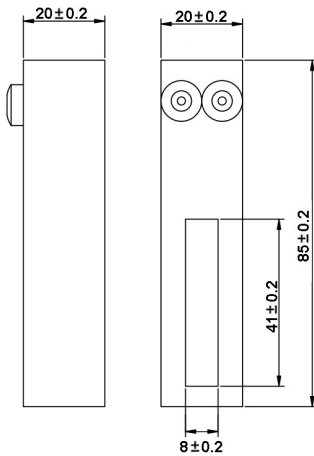
120" Flat Rail 60" L.R FJ-DWG



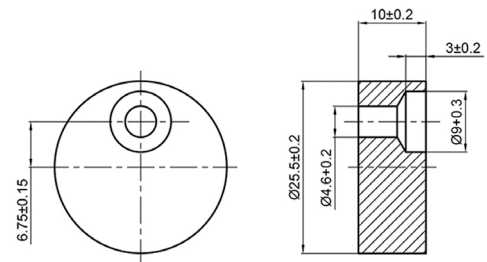
Track Lag Bolt



Flat Rail Spacer



Flat Rail Stop - Tail



Anti Jump Disk