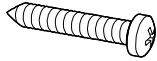


Barn Door Hardware Installation

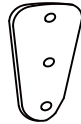
Parts Included :



Washer (4)



Screw (5)



Back Plate (1)

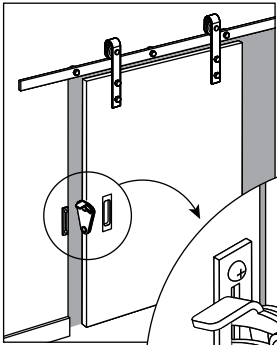
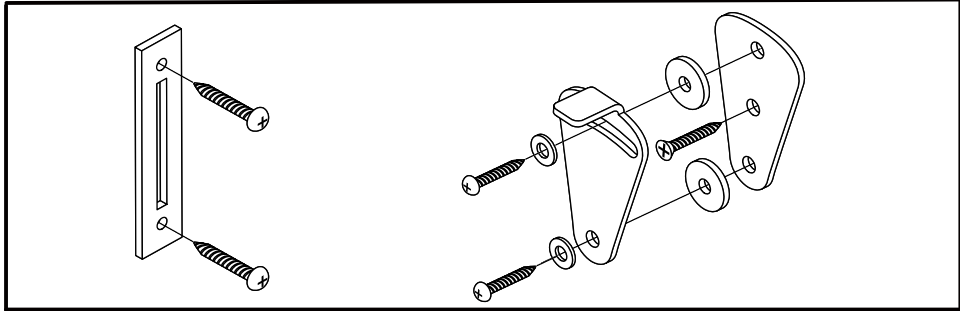
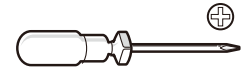
Front Plate (1)



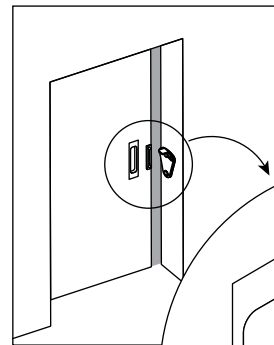
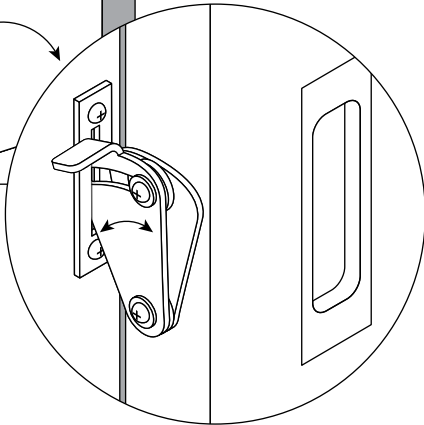
Keeper (1)



TOOLS REQUIRED



Latch installed onto the door



Latch installed onto the wall

