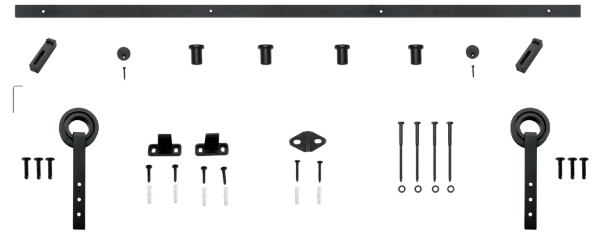


HBD5050X60

BARN DOOR HARDWARE KIT - BEARING ROLLER STRAP

For Doors up to 30" W
Rail Length: 60"



Available Finishes:



Black



Stainless

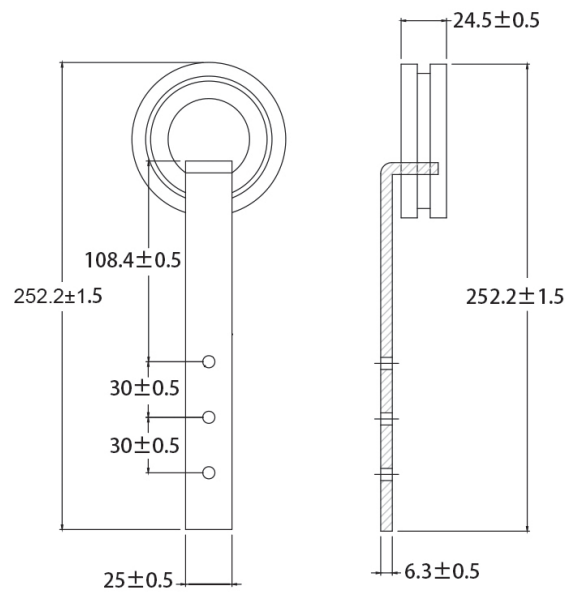
FEATURES:

- Black: POM Roller Wheel 3.27" Diameter
- Stainless Steel: Stainless Roller 3.27" Diameter
- Steel 2-1/2" Diameter Roller Bearings
- Track Size: 1/4" Steel, 1-1/2" x 60"
- Strap Size: 1/4" Steel, 10" x 1"
- Material (Black): Steel
(Stainless): Stainless Steel 304

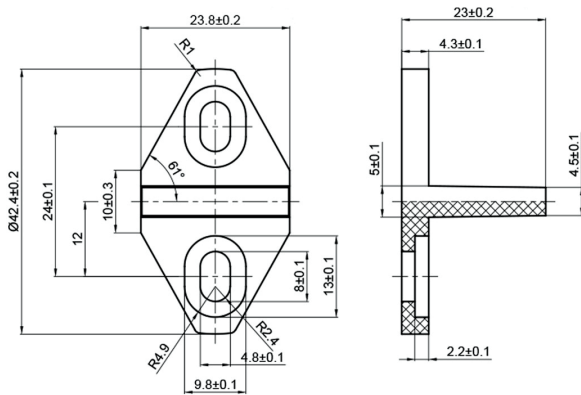
BOM:

- Rail 60" Long, Pre-Drilled for Mounting (1)
- Rail Spacer (4)
- Rail Mount Lag Bolts M8 x 90mm (4)
- Rail Mount Washer M8 (4)
- Bearing Roller Strap Hangers (2)
- Hanger Mounting Screws M6 x 25mm (3)
- Mortised Door Guide (1) with Screws ST4.2 x 25mm (2) Anchor φ6 (2)
- Non-Mortised Door Guide (2) with Screws ST4.2 x 25mm (4) Anchor φ6 (4)
- Anti Jump Disk with Screws ST4 x 25mm (2)
- Rail Door Stops Tall (2)
- Allen Wrench M2 for Door Stops (1)
- Allen Wrench M4 for Hanger Mounting Screws (1)
- Installation Instructions

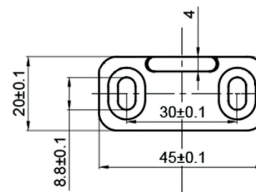
DRAWINGS:



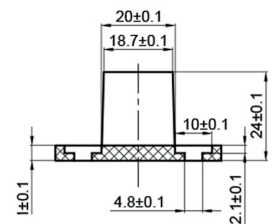
Bearing Wheel Strap Hanger



Mortise Floor Guide



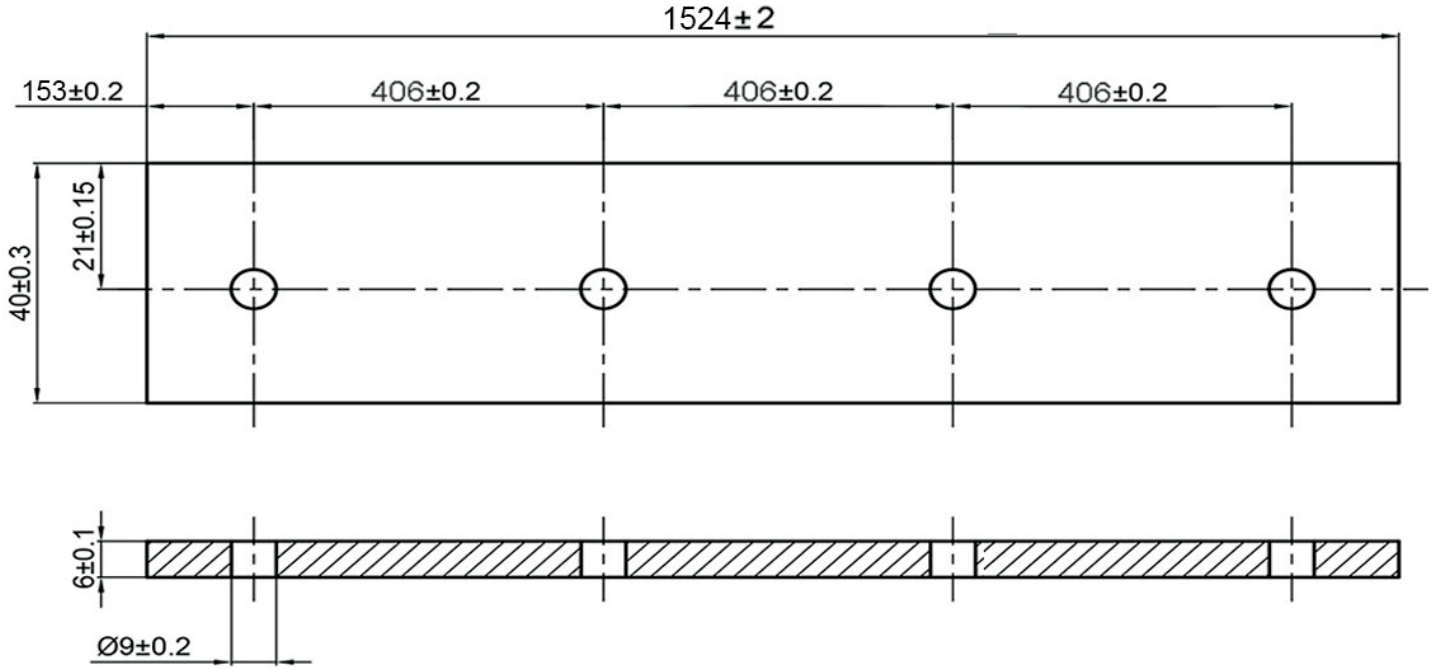
Non-Mortise Floor Guide



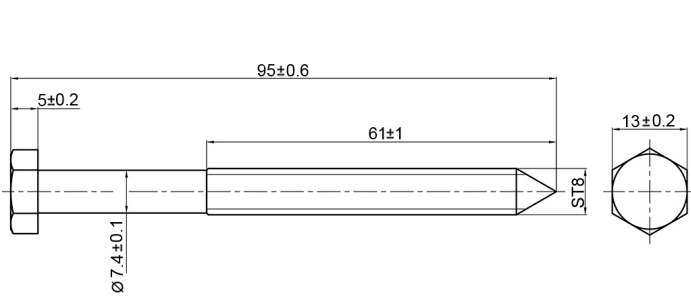
HBD5050X60

BARN DOOR HARDWARE KIT - BEARING ROLLER STRAP

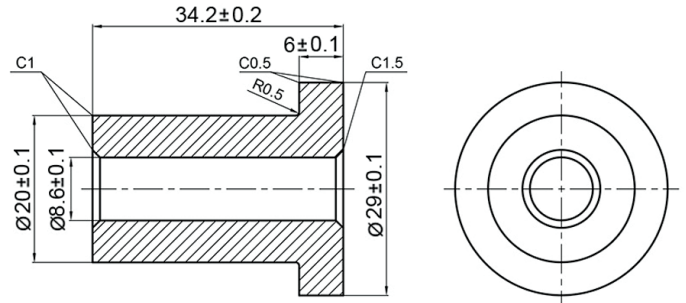
DRAWINGS:



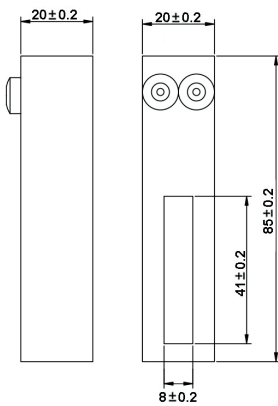
Flat Rail 60"



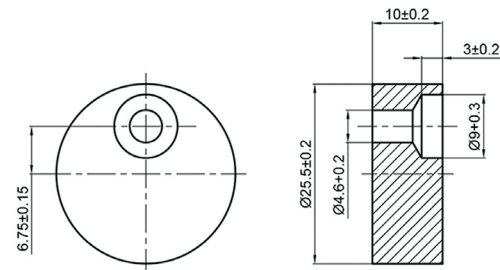
Track Lag Bolt



Flat Rail Spacer



Flat Rail Stop - Tall



Anti Jump Disk