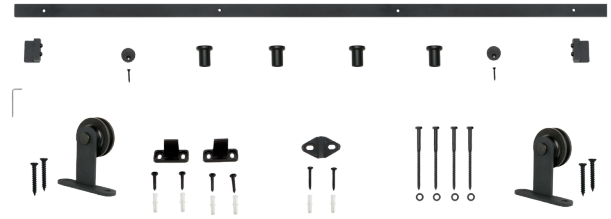


HBD5030X60 BARN DOOR HARDWARE KIT - TOP MOUNT

For Doors up to 30" W
Rail Length: 60"



Available
Finishes:



Black



Stainless

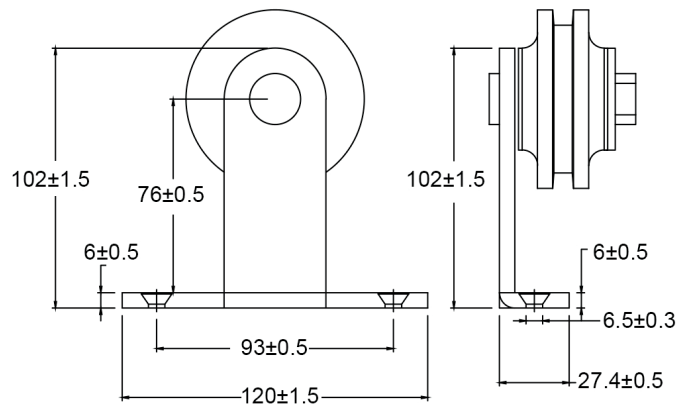
FEATURES:

- POM Wheel - 2-3/4" Diameter
- Steel 1-1/4" Diameter Roller Bearings
- Track Size: 1/4" Steel, 1-1/2" x 60"
- Strap Size: 1/4" Steel, 4" x 1-1/2"
- Material (Black): Steel
(Stainless): Stainless Steel 304

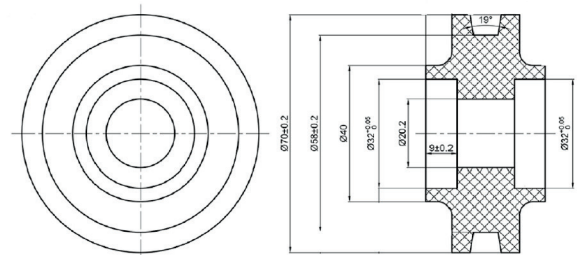
BOM:

- Rail 60" Long, Pre-Drilled for Mounting (1)
- Rail Spacer (4)
- Rail Mount Lag Bolts M8 x 90mm (4)
- Rail Mount Washer M8 (4)
- Top Mount Standard Wheel Hangers (2)
- Hanger Mounting Screws M6 x 35mm (4)
- Mortised Door Guide (1) with Screws ST4.2 x 25mm (2) Anchor $\phi 6$ (2)
- Non-Mortised Door Guide (2) with Screws ST4.2 x 25mm (4) Anchor $\phi 6$ (4)
- Anti Jump Disk with Screws ST4 x 25mm (2)
- Rail Door Stops Standard (2)
- Allen Wrench M2 for Door Stops (1)

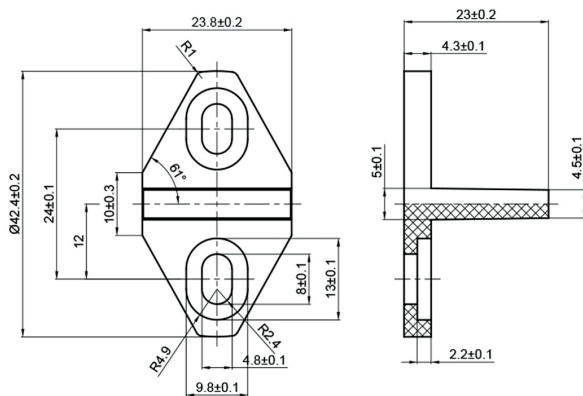
DRAWINGS:



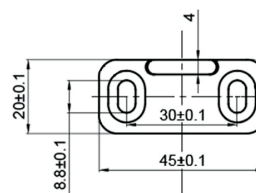
Top Mount Hanger - Standard Wheel



Standard Wheel



Mortise Floor Guide

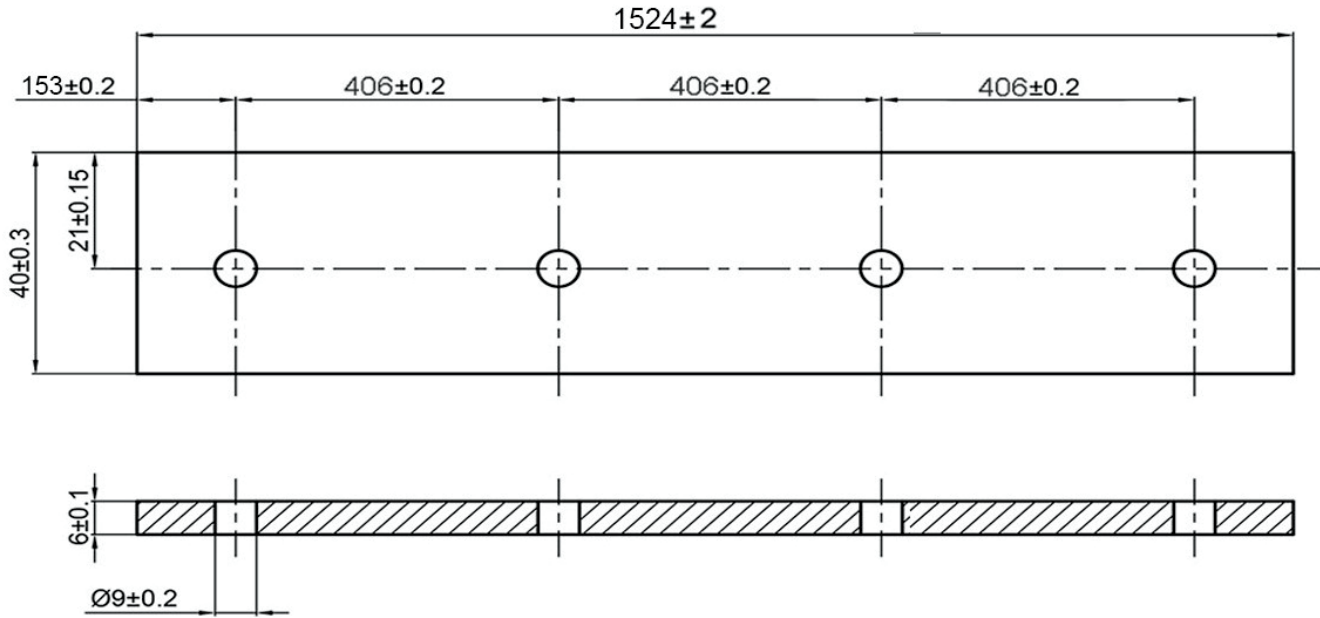


Non-Mortise Floor Guide

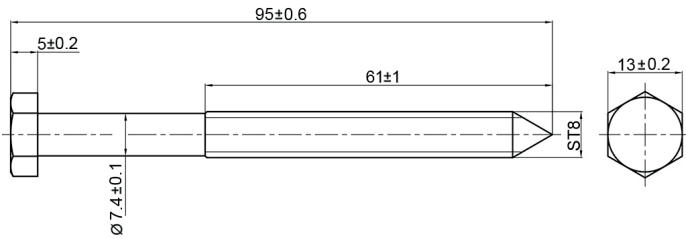
HBD5030X60

BARN DOOR HARDWARE KIT - TOP MOUNT

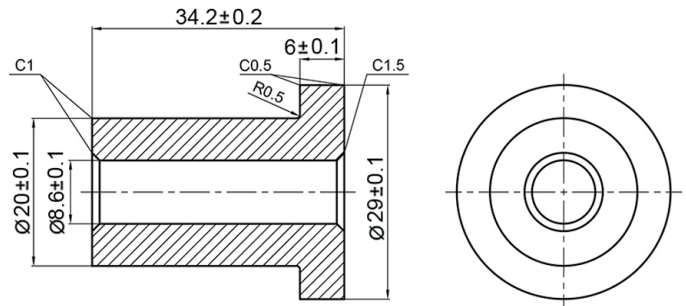
DRAWINGS:



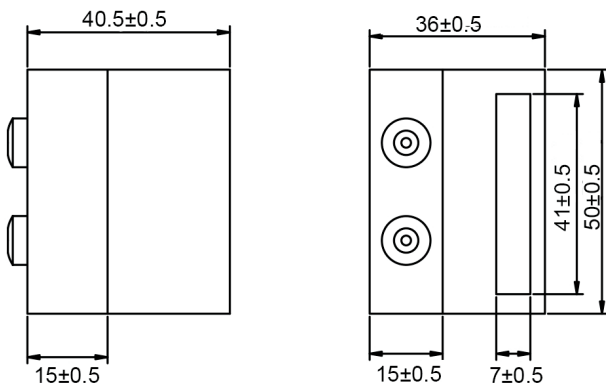
Flat Rail 60"



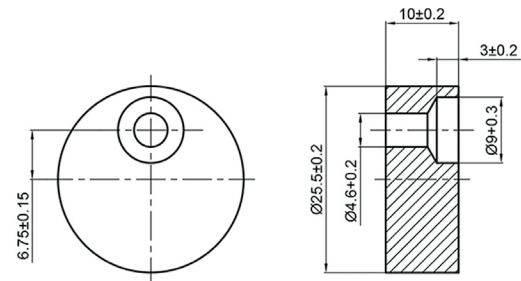
Track Lag Bolt



Flat Rail Spacer



Flat Rail Stop Standard



Anti Jump Disk