

# HBD5000X96 BARN DOOR HARDWARE KIT - BENT STRAP

For Doors up to 48" W  
Rail Length: 96"



## Available Finishes:



Black



Satin Nickel



Stainless



Oil Rubbed Bronze

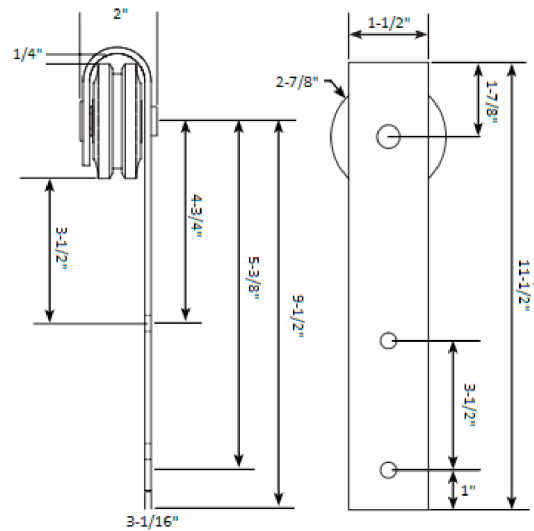
## FEATURES:

- Meets ANSI/BHMA A156.14-2013 Grade 1; Durability Test 220 lb (100kg)
- POM Wheel - 2-3/4" Diameter
- Steel 1-1/4" Diameter Roller Bearings
- Track Size: 1/4" Steel, 1-1/2" x 96"
- Strap Size: 1/4" Steel, 11-1/2" X 1-1/2"
- Material (Black, Satin Nickel & ORB): Steel  
(Stainless): Stainless Steel 304

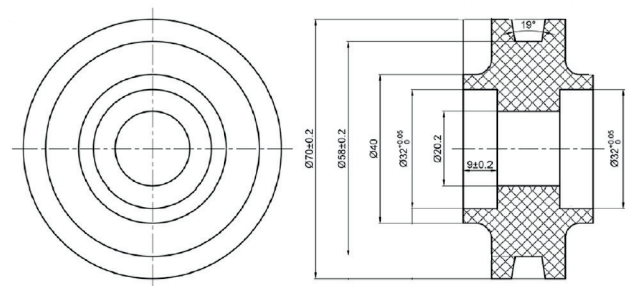
## BOM:

- Rail 96" Long, Pre-Drilled for Mounting (1)
- Rail Spacer (6)
- Rail Mount Lag Bolts M8 x 90mm (6)
- Rail Mount Washer M8 (6)
- Bent Strap Hangers (2)
- Hanger Bolts for 1-3/8" Door M10 x 1.5 x 55mm (4)
- Hanger Bolts for 1-3/4" Door M10 x 1.5 x 60mm (4)
- Hanger Bolt Washers M10 (8)
- Hanger Bolt Cap Nuts M10 (4)
- Mortised Door Guide (1) with Screws ST4.2 x 25mm (2) Anchor  $\phi 6$  (2)
- Non-Mortised Door Guide (2) with Screws ST4.2 x 25mm (4) Anchor  $\phi 6$  (4)
- Anti Jump Disk with Screws ST4 x 25mm (2)
- Rail Door Stops Standard (2)
- Allen Wrench M2 for Door Stops (1)

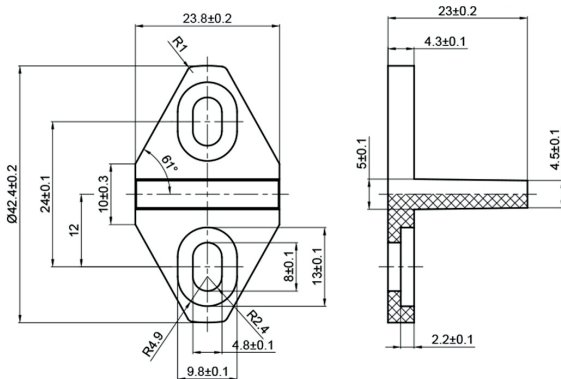
## DRAWINGS:



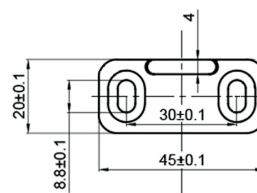
Bent Strap Hanger - Std Wheel



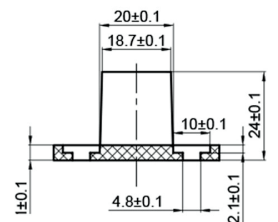
Standard Wheel



Mortise Floor Guide



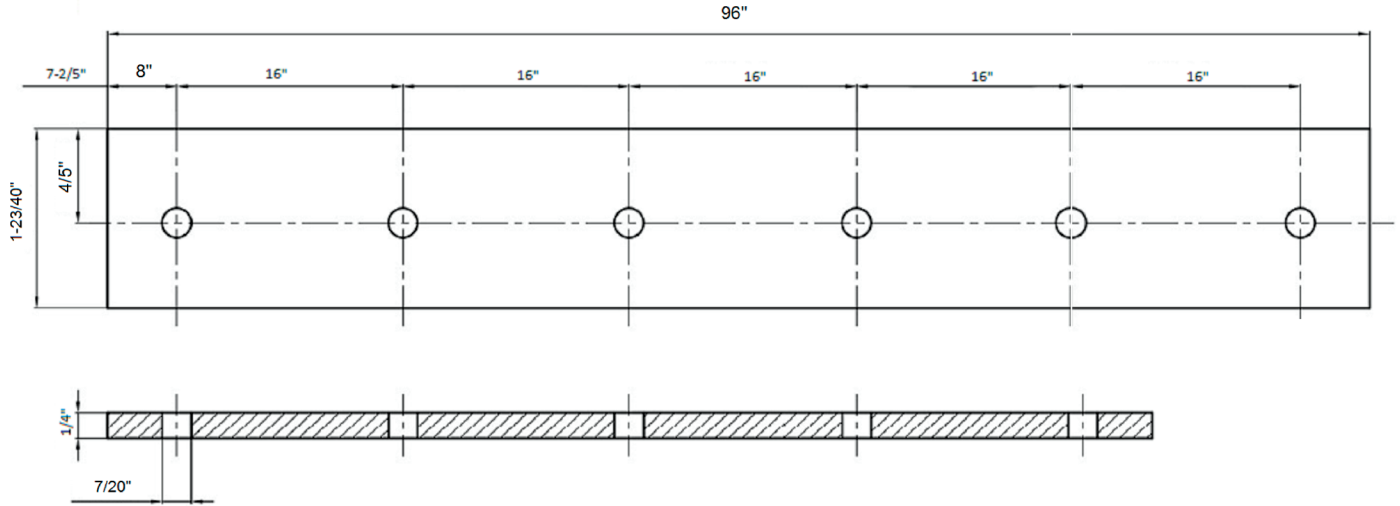
Non-Mortise Floor Guide



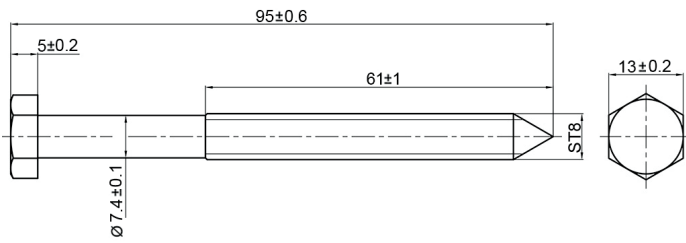
# HBD5000X96

## BARN DOOR HARDWARE KIT - BENT STRAP

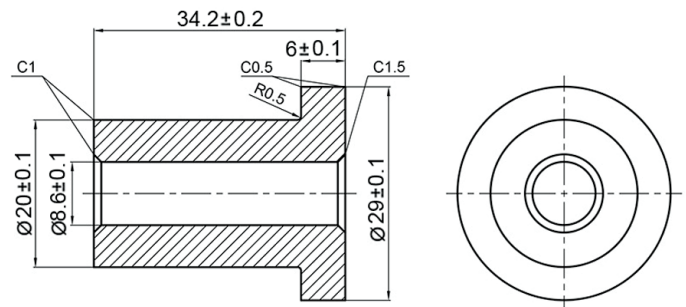
### DRAWINGS:



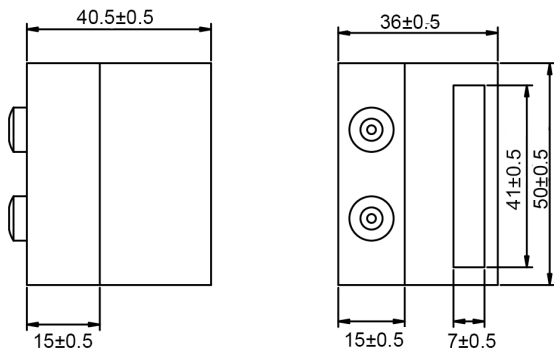
Flat Rail 96"



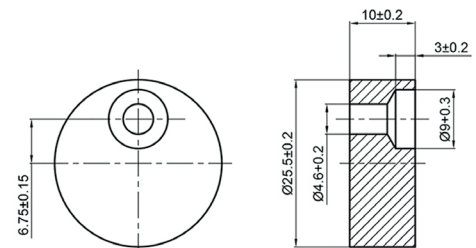
Track Lag Bolt



Flat Rail Spacer



Flat Rail Stop Standard



Anti Jump Disk