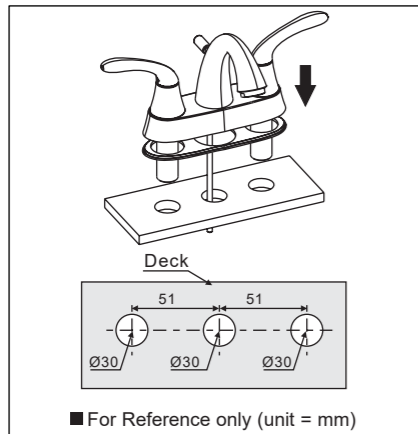


Faucet Installation Instructions

MNO421

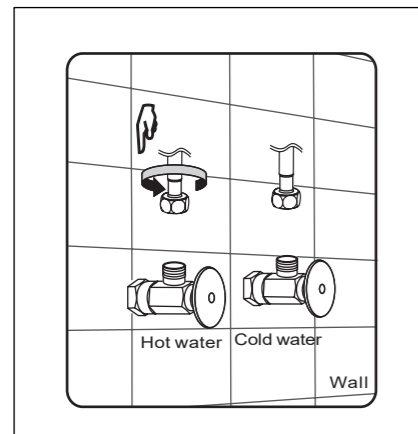
- Please read these instructions carefully before starting the installation to avoid any unnecessary damage.
- Please check if the product is in a good condition after opening the package.
- Please keep these instructions after installation for reference.
- All illustration and dimensions provided by these instructions are only for reference. For the installation, please refer to the actual product.
- Before installing and using this product, user shall carefully read and understand the content of these instructions.



Step 1 Locating the faucet

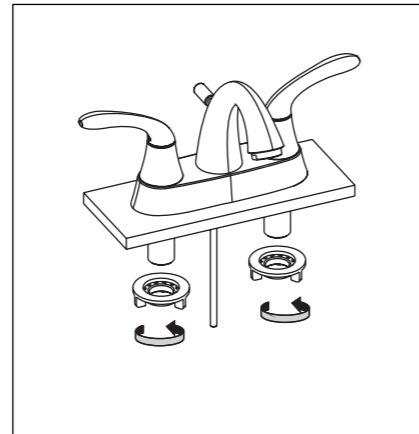
Cut moulting holes to install the faucet. Remove the components (mounting nut and washers) which are attached to the bottom of the faucet. Install the faucet into the pre drilled holes ensuring the washer is placed between the trim ring and the deck surface.

Notes : Verify the dimensions against the actual faucet.



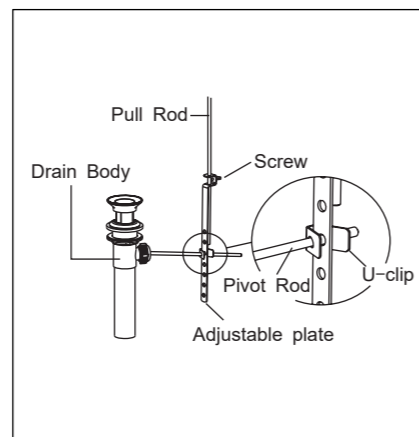
Step 3

Tighten up the hoses to the water supply valves as shown. Hot water to the left hand side and cold water to the right hand side.



Step 2

As shown above please fit the washers and mounting nut. Then secure the faucet to the deck by tightening the mounting nut.



Step 4

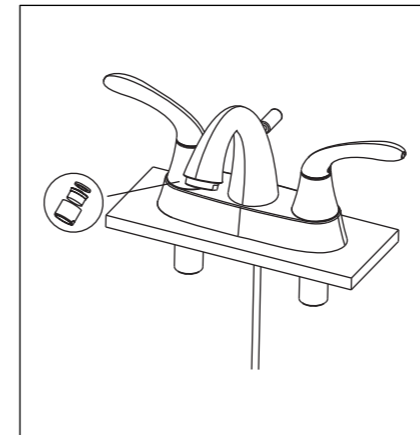
Install the pop-up drain in the bott outlet of the lavatory as shown. Install washer above and below both the drain body and the lavatory to avoid leakage. Connect the stopper to the drain pipe. After installation, pull the pull rod up and down to check the stopper for proper movement and stopping water.

MISENO

For additional assistance or service call: 1-855-480-2915 or visit our website www.miseno.com

Faucet Installation Instructions

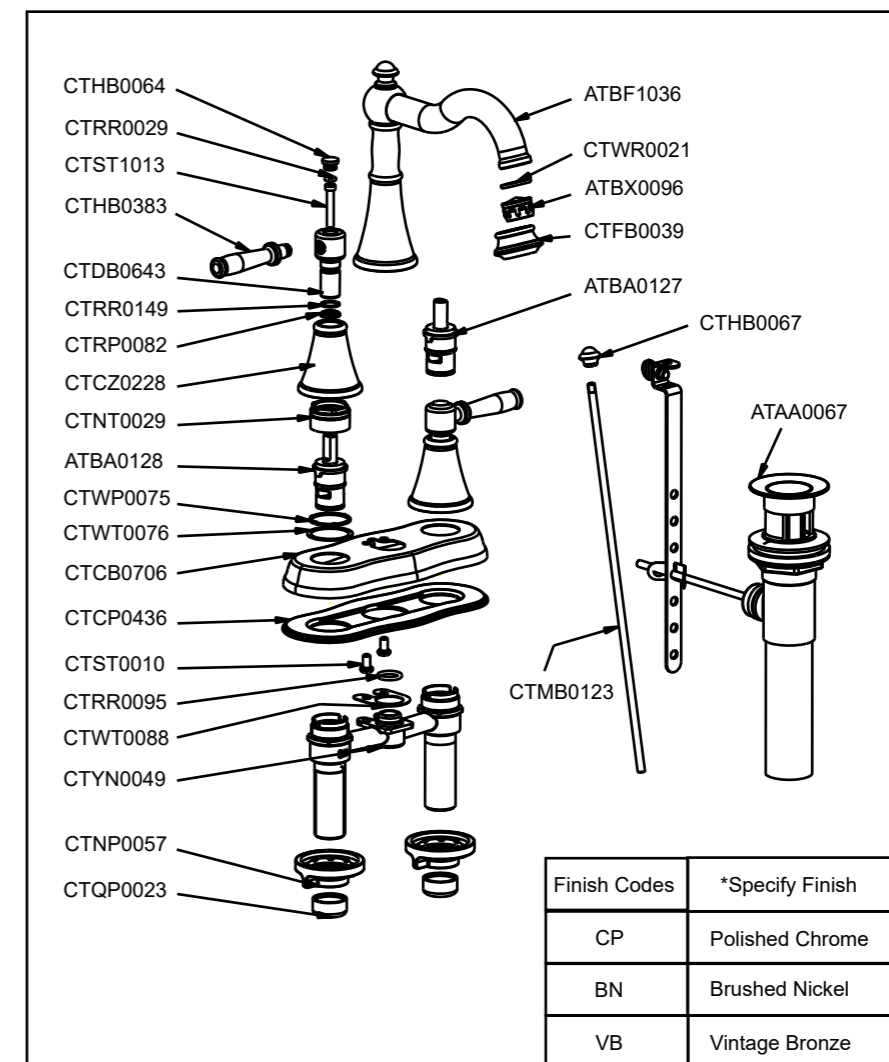
MNO421



Step 5

Important: After installation is complete remove aerator and turn faucet on for two minutes to flush out any debris from the water lines. While water is running check for leaks.

Maintenance: Clean with warm water, soft cotton cloth and non-abrasive liquid dish soap. Towel dry. Never use acids, harsh abrasives or detergents.



Finish Codes	*Specify Finish
CP	Polished Chrome
BN	Brushed Nickel
VB	Vintage Bronze

MISENO

For additional assistance or service call: 1-855-480-2915 or visit our website www.miseno.com