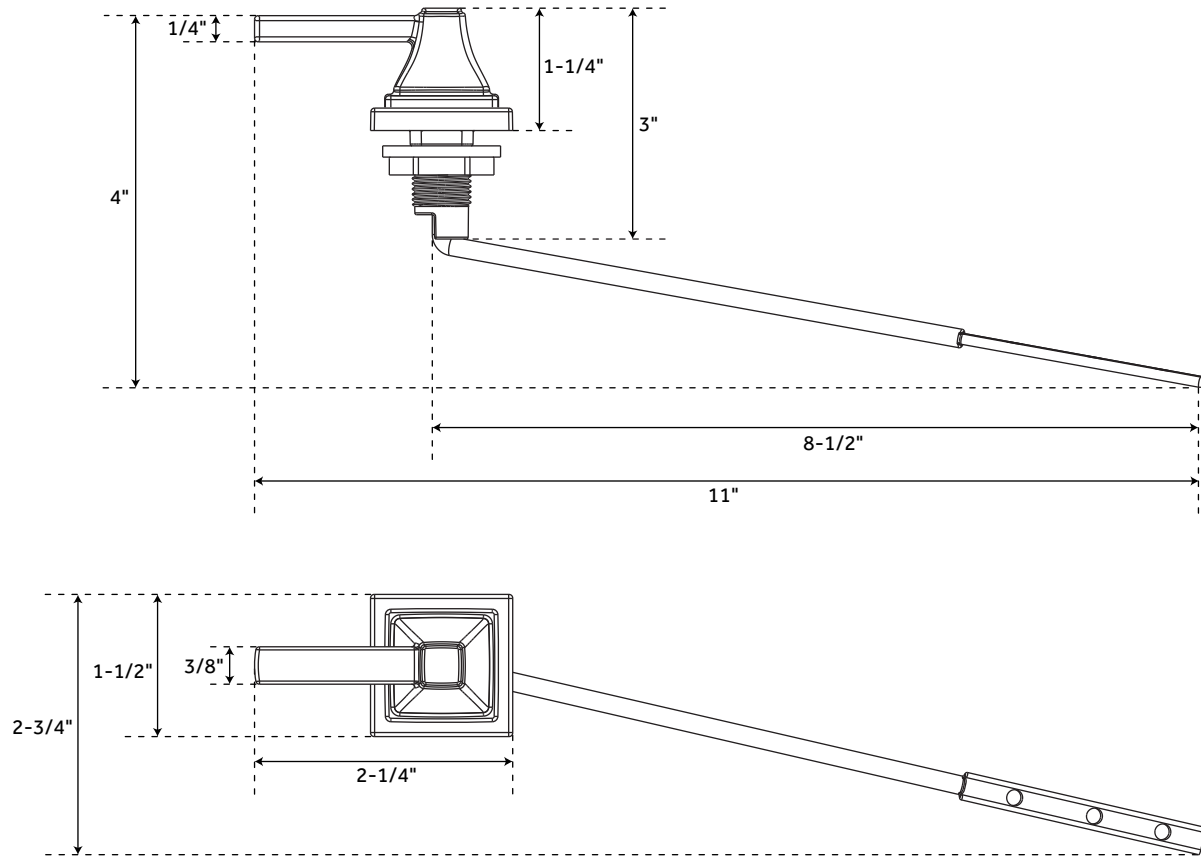


PINECREST

FLUSH LEVER

SKU: 948385



FEATURES

- Length: 11"
- Width: 2-3/4"
- Depth: 4"
- Interior Lever Length: 8-1/2"
- Handle Length: 2-1/4"
- Handle Width: 1-1/2"
- Handle Depth: 1-1/4"

SIGNATURE HARDWARE LIFETIME WARRANTY

See website for warranty information



All dimensions and specifications are nominal and may vary. Use actual products for accuracy in critical situations.

REVISED 09/04/2019
CODE: SHPC100TLCP/SHPC100TLPN