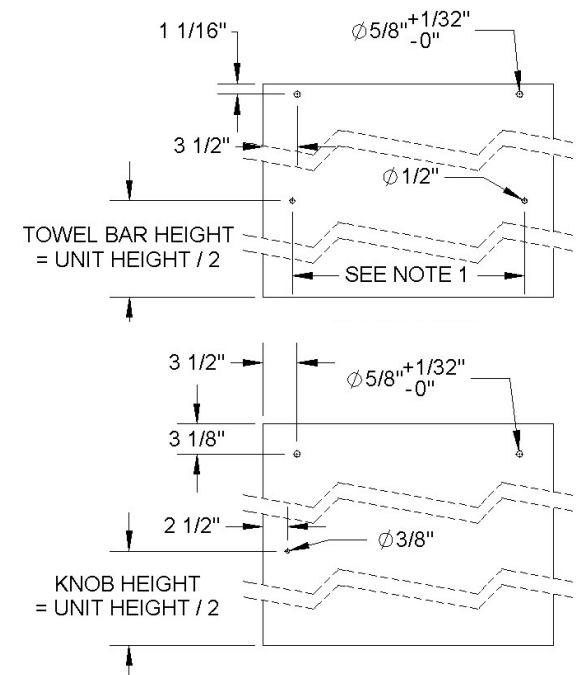


NOTES:

1. Towel bar assemblies are available in 13", 15", 16 1/2", 19", 21", 22", and 24"
2. Towel bar sizes are measured from center to center of the mounting holes
3. Miseno will automatically choose the appropriate towel bar on complete units
4. For KD units, leave a minimum of 1.5" between hole centers and edges of glass

GLASS DETAIL DRAWING



NOTE: GLAZING MATERIAL FOR ALL KD UNITS AND GLAZED UNITS MUST CONFORM TO ANSI Z97.1 AND CPSC STANDARD 16 CFC 1201 CATEGORY 1 & 2

Top Roller Semi-Frameless 1/4" or 3/8" Bypass Slider

MISENO

1.855.480.2915 • infoservice@miseno.com