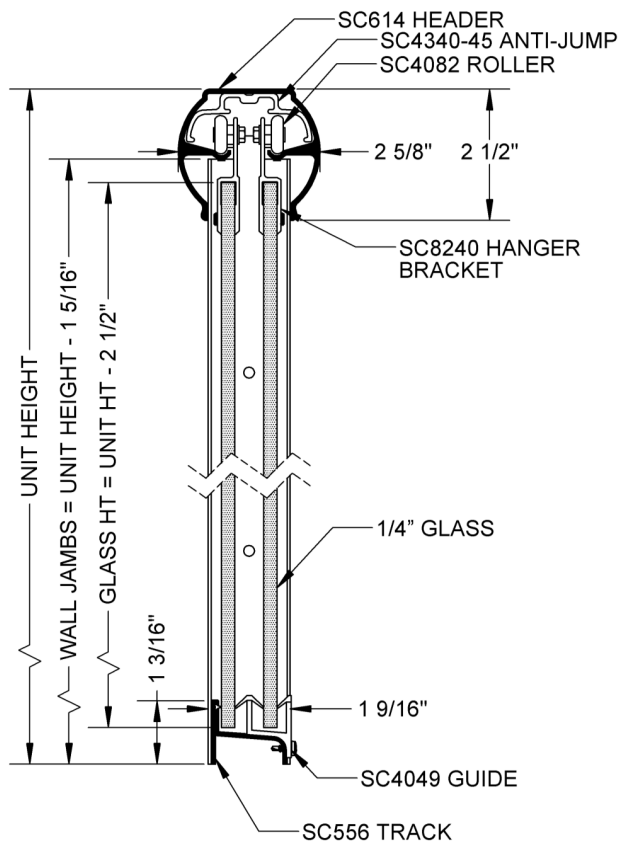
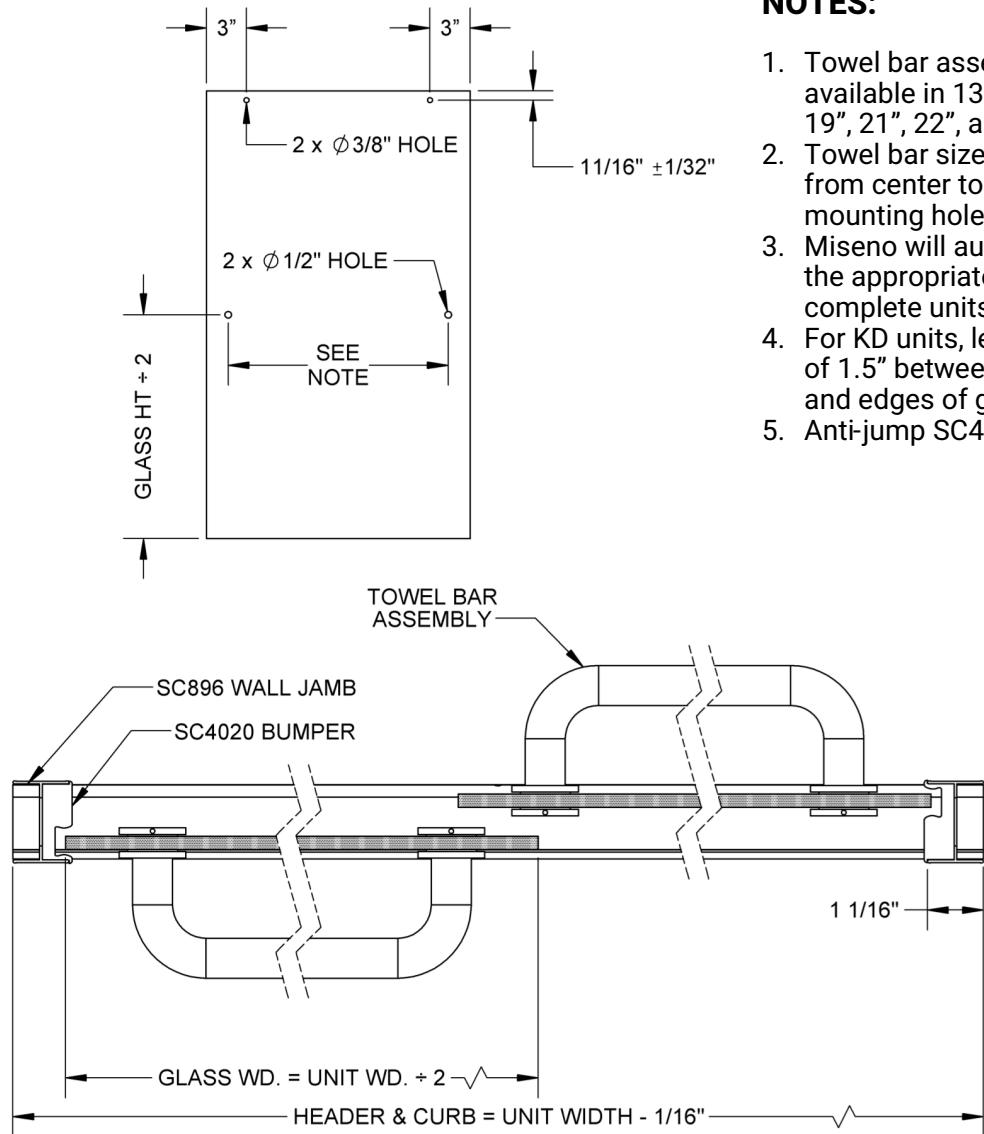


VERTICAL CROSS SECTION



GLASS DETAIL DRAWING



NOTES:

1. Towel bar assemblies are available in 13", 15", 16 1/2", 19", 21", 22", and 24"
2. Towel bar sizes are measured from center to center of the mounting holes
3. Miseno will automatically choose the appropriate towel bar on complete units
4. For KD units, leave a minimum of 1.5" between hole centers and edges of glass
5. Anti-jump SC4340-45 included

HORIZONTAL CROSS SECTION

NOTE: GLAZING MATERIAL FOR ALL KD UNITS AND GLAZED UNITS MUST CONFORM TO ANSI Z97.1 AND CPSC STANDARD 16 CFC 1201 CATEGORY 1 & 2

Frameless 1/4" Bypass Slider

MISENO

1.855.480.2915 • info@miseno.com