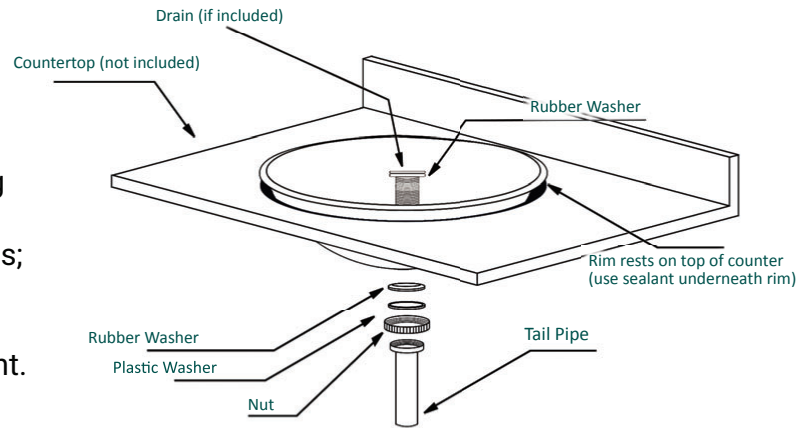


# INSTALLATION INSTRUCTIONS: DROP-IN SINKS

## Please Note:

- Review and abide by all building and plumbing codes.
- Miseno sinks need to be installed by a plumbing professional or skilled Do-It-Yourselfer.
- Some counters require different cutting methods; locate instructions for your particular counter materials.
- Check to make sure sink is sealed and watertight.
- Use non-abrasive cleaners when cleaning.
- Allow adequate room for faucet and backsplash when planning sink location.



- **For layout**, use the actual basin as your template. Place it upside down on counter and mark outline by tracing the edge of the sink. Allow clearance for faucet, backsplash and other accessories.

- **Measure inside edge** of lip and mark the countertop accordingly.

- **Cut counter** midway between the two lines. Before applying silicone sealant, place the sink in the cutout to ensure an adequate fit.

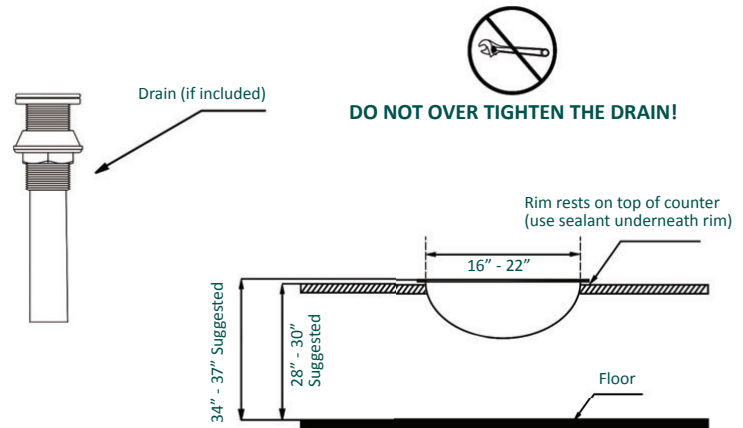
- **Apply silicone** sealant around the cutout on the countertop and place sink in position.

- **Use a bubble level** to ensure the sink is plumb in all directions.

- **Carefully remove** any silicone that has seeped out from under the sink edges.

- **Wait 24 hours** for silicone sealer to cure fully, then install sink drain to spec.

- **When cleaning**, do not use abrasive cleaners.



## TOOLS NEEDED FOR ASSEMBLY (not included)



**Questions, problems, missing parts?** Before returning to your retailer, call our customer service department at 855.480.2915 between 7am and 5pm PST, Monday-Friday. Or email us at [infoservice@miseno.com](mailto:infoservice@miseno.com)

## TROUBLESHOOTING TIPS DROP-IN

Issue	Reason	Solution
Finish is changing color or is shiny	Abrasive cleaners, soaps or other factors constantly in contact with finish.	Stop using abrasives. Finish will heal over time
Does not completely drain	Drain is too high, wrong seal used	Make sure correct seal is used and is below bevel
Leakage under sink	Drain has come loose	Tighten the fastener under the counter