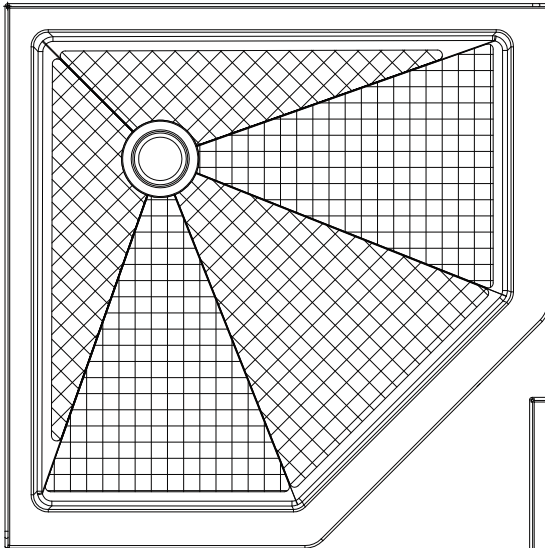


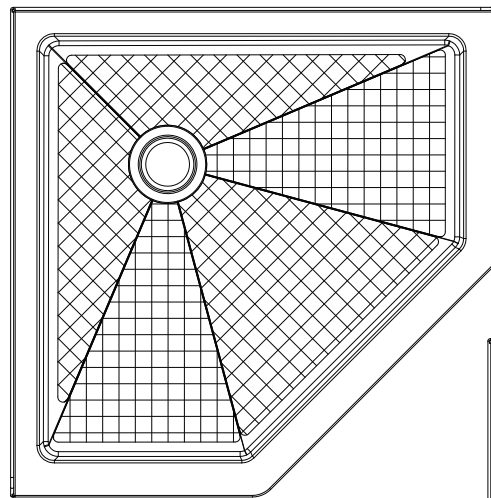
# NEO ANGLE BASE

Model Numbers

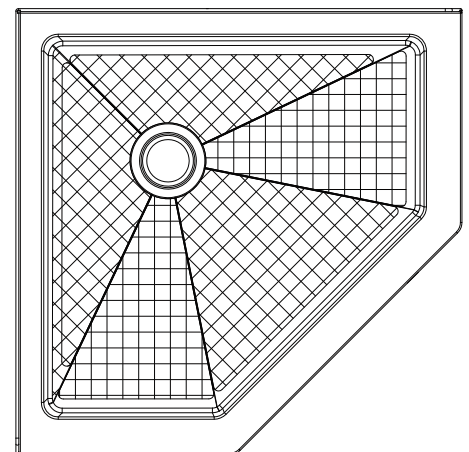
MSP-3636NA / MSP-3838NA / MSP-4242NA



42"W x 42"D



38"W x 38"D




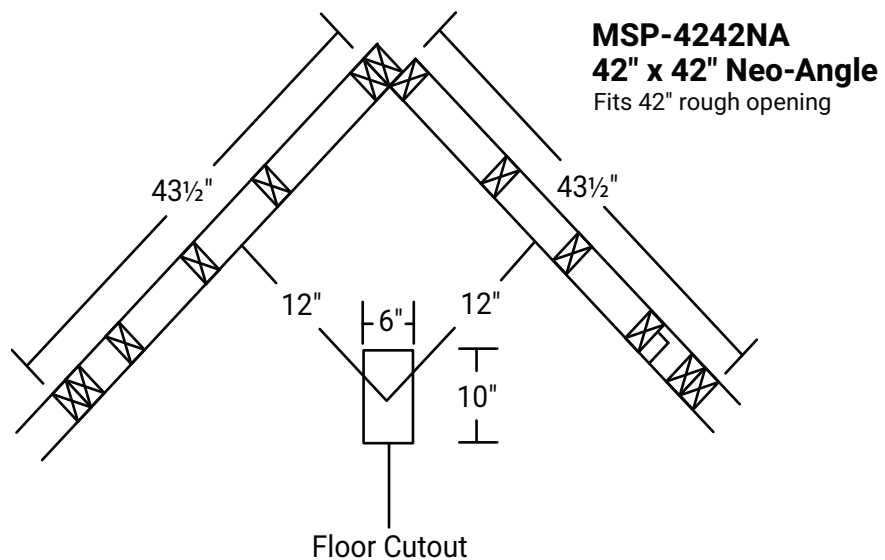
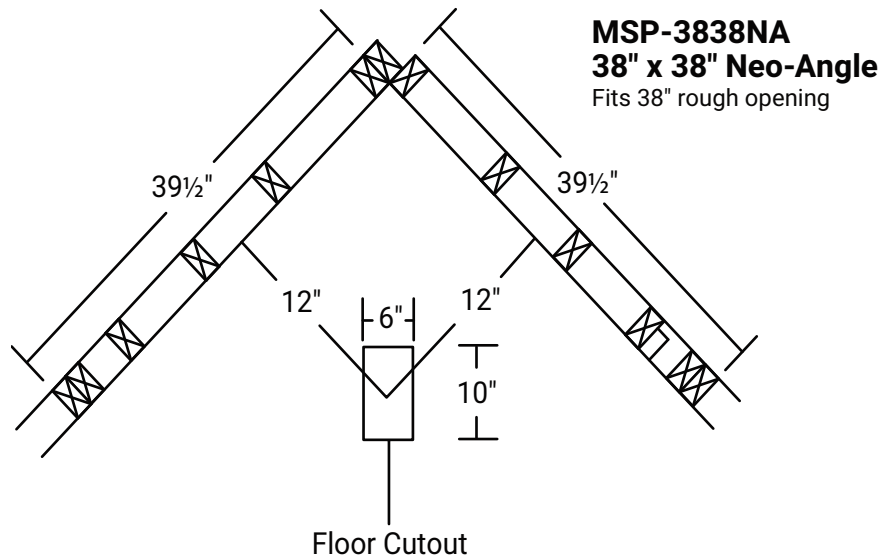
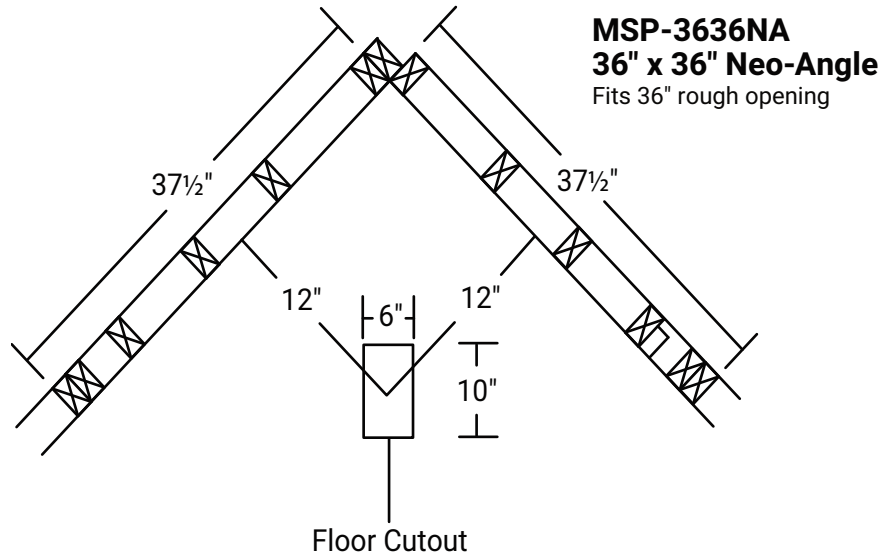
36"W x 36"D

### NEED INSTALLATION HELP?

Call Customer Service at 1-855-480-2915 • Monday - Friday 7:00 am - 5:00 pm Pacific Standard Time

# Stud Layout

 = stud location



## Tools Needed

- Level
- Jigsaw
- Tape Measure
- Pencil
- Power Drill
- Safety Glasses
- 1/8" Drill Bit

**NOTE: Drain not included**

## Supplies Needed

- Flathead Screws, 1-5/8"
- Wood Shims
- Construction Adhesive
- Mortar Compound (optional)
- Drain Assembly
- Silicone Caulk for Drain

## Starting Your Installation

- To ensure the base is the correct color, peel away the blue protective film from base edges. Leave remaining film until installation is complete to protect product finish.
- Allow the base to reach room temperature before installation.
- Read installation instructions carefully before starting project.
- Keep instructions for warranty information.
- Do not use plumber's putty, as it may result in product failure. Use a high-grade silicone caulk or latex sealant for all necessary locations.

# BASE INSTALLATION

## Step 1

Strip alcove to bare studs. Shower stud pockets should be constructed as shown on stud layout page. Studs should be plumb and square to the subfloor.

Floor must be clean, smooth and level. Subfloor must be installed in the stud layout for proper pan support. Do not install shower base on open floor joists.

Cut hole in subfloor as shown to accommodate shower drain (not included).

## Step 2

Trial fit base in prepared alcove. With base sitting flat on the floor, check level on top of the base. The base should be level from front-to-back and side-to-side (Figure 1).

If base is not level, install wood shims between base feet and subfloor as needed.

Remove base from alcove.

Optional: If subfloor is not level, a floor leveling compound (smooth mortar) or a similar quick-setting compound specifically made for leveling floors and is an excellent way to fully support and level the base instead of using wood shims.

## Step 3

Apply construction adhesive to all feet and install base into alcove (Figure 2).

Level base with shims into construction adhesive under feet (Figure 3).

After base is leveled, if alcove is larger than base, shim between base and studs to create a tight fit. Pre-drill holes in base flange using 1/8" drill bit, then screw base flange to all studs (Figure 4).

**NOTE: Failure to screw flange to all studs will void warranty.**

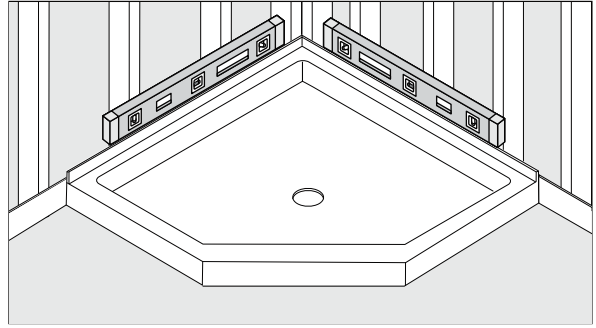


FIG 1 Check to ensure base is level

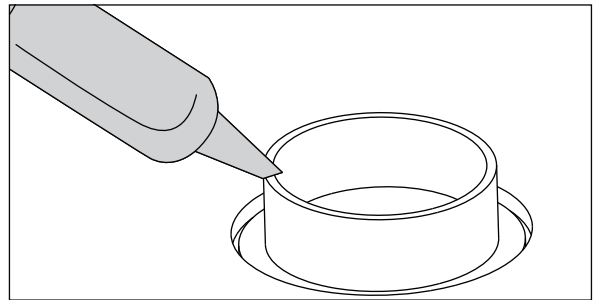


FIG 2 Apply construction adhesive to all feet

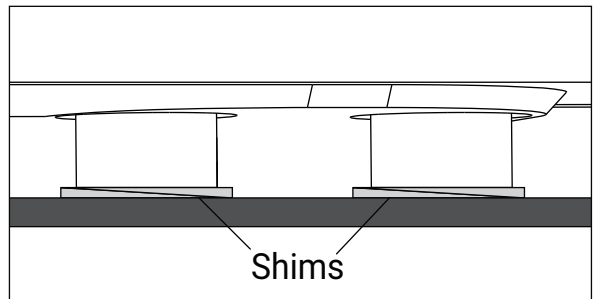


FIG 3 Apply shims under feet into adhesive as needed to level base.

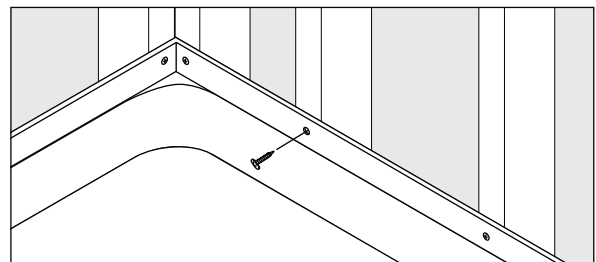


FIG 4 If necessary, shim between base and studs for a tight fit. Screw flange to all studs.

# CLEANING

Do not use any abrasive cleaners or metal scrapers.

If drywall mud or plaster gets on your shower, it may be carefully removed with a wooden scraper made from a piece of scrap wood.

Adhesive may be removed with mineral spirits.

Ideal cleaners are Formula 409, Lysol Bathroom Cleaner or Comet Gel.

**WARNING: Some cleaning products are not suitable for use on this shower base. Read all labels carefully. DO NOT USE products that list incompatibility with ABS, Acrylic or Polystyrene.**

# SCRATCH REMOVAL INSTRUCTIONS

For effective scratch removal and polishing, you will need to purchase these items:

- 1 sheet 1000 grit 3M wet/dry sandpaper
- 1 sheet 1500 grit 3M wet/dry sandpaper
- 1 sheet 2000 grit 3M wet/dry sandpaper
- 1 small container of 3M rubbing compound (#05933)

These items can be purchased locally at most auto parts stores, or auto paint supply shops.

**Step 1** - Start sanding with 2000 grit sandpaper. Use a small 2"x2" square and use plenty of water. The water is both a lubricant and prevents residue buildup on the sandpaper. Residue buildup shortens the effective life of the paper and may scratch the surface you're trying to polish.

**Step 2** - 2000 grit sandpaper is the finest grit. If you can't remove all scratches using 2000 grit, switch to 1500 grit and polish until you no longer feel the scratches, then sand with 2000 grit.

**Step 3** - If 1500 grit will not remove the scratches, switch to 1000 grit sandpaper. This grit should remove all but the deepest gouges. Once the scratch is removed with 1000 grit, sand with 1500 grit until smooth, and then 2000 grit for the final sanding, still using water.

**Step 4** - Once all scratches have been removed and smoothed through progression to 2000 grit sandpaper, use the 3M rubbing compound (#05933) on a soft, damp cloth. Polish with firm pressure, using a circular motion, until the finish returns to its normal smooth shine.

**NOTE: For deep gouges professional finish repair is recommended.**

## SCRATCH / SANDPAPER GUIDE

<b>SUPERFICIAL SCRATCHES</b> 2000 grit
<b>LIGHT SCRATCHES</b> 1500-2000 grit
<b>MEDIUM SCRATCHES</b> 1000-2000 grit
<b>DEEP GOUGES</b> 600-2000 grit <b>PROFESSIONAL REFINISHING RECOMMENDED</b>

---

# ATTENTION CUSTOMER:

Important Shower Enclosure  
Warranty Information  
Please do not discard

**Thank you for your purchase of a shower enclosure  
from MISENO**

In order to be eligible for product warranty, please save your  
order number and the name of your retailer.

**No registration is required.**

We retain sales records from all our retail partners, so if warranty service  
is required, the name of your retailer and order number is all you need.

**RETAILER:** \_\_\_\_\_

**ORDER #:** \_\_\_\_\_

For any questions or comments  
about your new shower enclosure,  
please contact our customer service at:

**1-855-480-2915**

or send us an email at

**infoservice@miseno.com**