



CONTEMPORARY



ELEGANT



MODERN

Available Finishes

CONTEMPORARY



OIL RUBBED BRONZE
(MH-DBCON-ORB)



SATIN NICKEL
(MH-DBCON-SN)

ELEGANT



OIL RUBBED BRONZE
(MH-DBELE-ORB)



SATIN NICKEL
(MH-DBELE-SN)

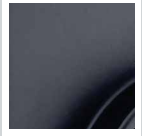
MODERN



POLISHED CHROME
(MH-DBMOD-CP)



SATIN NICKEL
(MH-DBMOD-SN)



FLAT BLACK
(MH-DBMOD-FB)

Features

- Reversible handing
- Kwikset and Schlage keyway options
- Adjustable backset (2-3/8" - 2-3/4")
- 1" Throw bolt
- Brass construction

Specifications

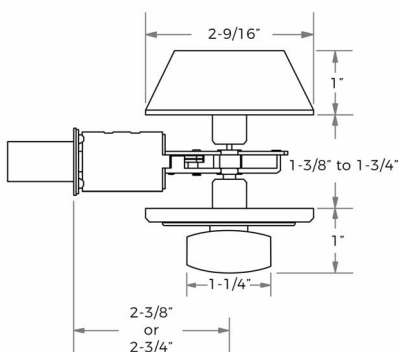
- Door thickness: 1-3/8" to 1-3/4"
- Material: Forged brass
- Handing: Non-handed
- Backset: 2-3/8" or 2-3/4"
- Crossbore: 2-1/8"
- Edgebore: 1"
- Strike plate: 2-1/4" x 1-3/4" full lip radius corner standard
- Warranty: 5 Years finish Limited lifetime mechanical

Not approved for commercial use

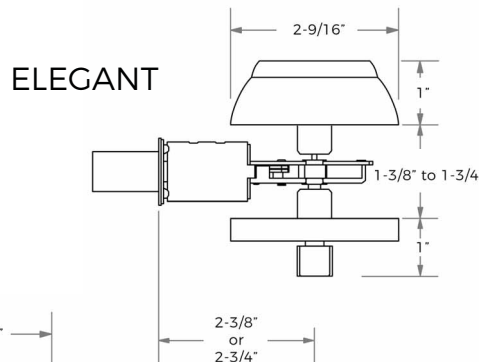
Installation Notes

- Check that all parts are included before beginning installation.
- Check any keyways for function prior to installation.
- Oil Rubbed Bronze is a "living" finish and will wear with time.

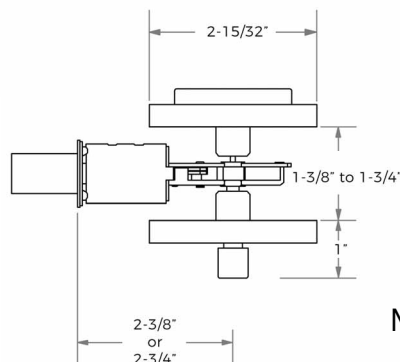
DIMENSIONS & MEASUREMENTS



CONTEMPORARY



ELEGANT



MODERN