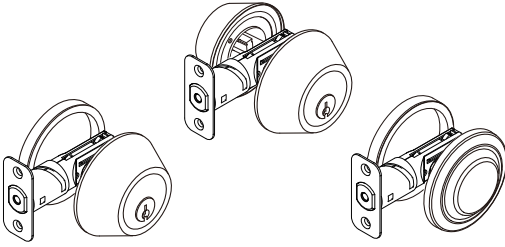


MISENO

USE AND CARE GUIDE

FOR



1 Safety Information

Read the precautions and instructions in this manual before installing and using this lock. Save this manual for future reference.



WARNING

If the door needs to be drilled, be familiar with how to use your drill safely, and understand all the door preparation steps before proceeding.



CAUTION

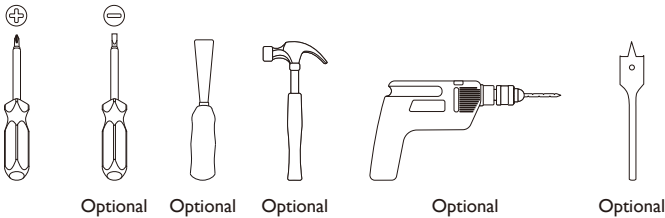
Before beginning the installation, please read and understand the entire manual.



NOTE

To ensure a long lasting finish, remove the locks, or do not install the locks, prior to painting your door. Periodically clean the locks with mild soap and a soft cloth. Do not use abrasives or harsh chemicals, and avoid sharp or scratching objects.

2 Pre-Installation – Tools Required/Hardware Included

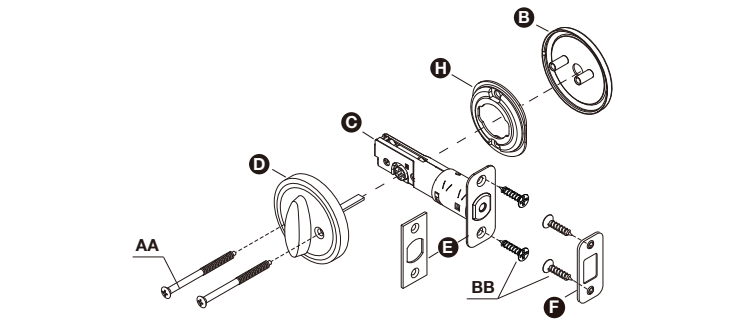
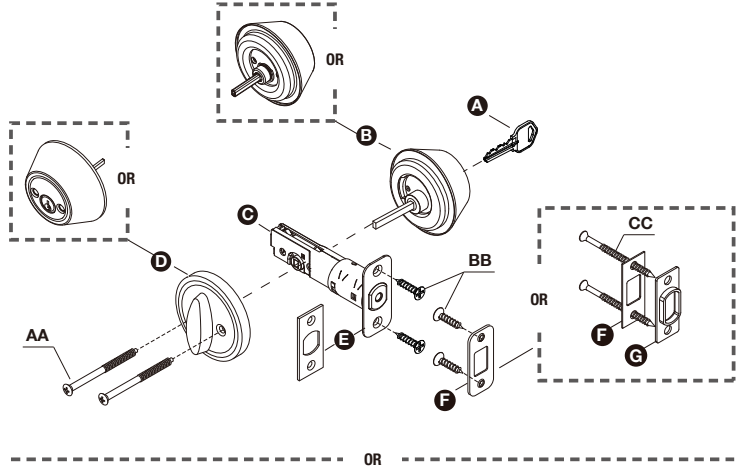


Part	Description	Quantity
AA	Mounting Screws	2
BB	Latch/Strike Plate Screws	4 ; 2
CC	Deadbolt Strike Plate Screws	0 ; 2

Note: Not to scale.



Part	Description	Quantity
A	Key	2
B	Exterior assembly	1
C	Deadbolt Latch	1
D	Interior assembly	1
E	Faceplate	1
F	Strike Plate	1
G	Reinforcement Plate	1
H	Interior reinforcing plate	1

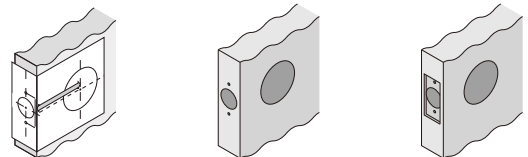


3 Pre-Installation (continued) – Door Preparation

NOTE: If your door already has holes, skip to Installation.

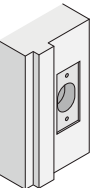
1 Using the template, mark the door and drill the holes, and chisel out a mortise.

NOTE: Drill from both sides to avoid wood splitting.



2 Prepare the door jamb – using the strike plate as a pattern, drill the latch and screw holes, and chisel out a mortise until the strike plate fits flush.

NOTE: To assure proper lockset function, the holes in the door jamb must be drilled 1-1/8 in. (28 mm) deep.



TEMPLATE

Drill a 1" (25 mm) diameter hole at the center of the door edge.

Fold here.
Place on the door edge.

2" (51 mm)
1-3/4" (45 mm)
1-9/16" (40 mm)
1-3/8" (35 mm)

Ø 2-1/8" (54 mm)

Backset 2-3/8" (60 mm)

Backset 2-3/4" (70 mm)

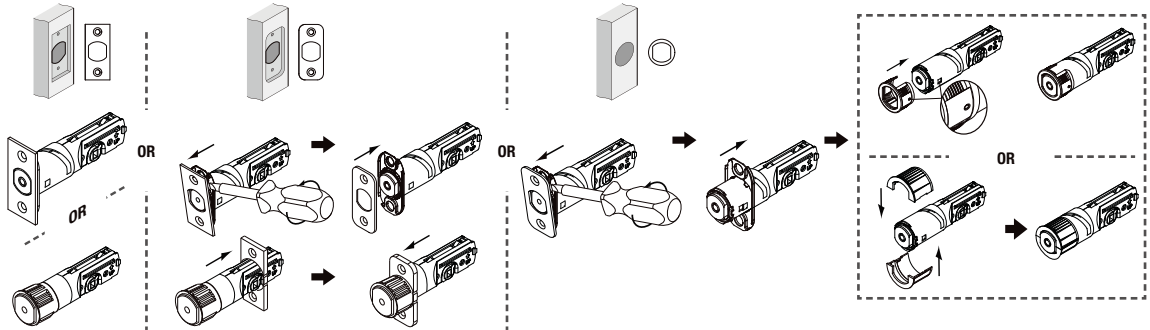
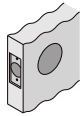
For thicker doors: 1-9/16" (40 mm) - 2" (51 mm)

NOTE: Double check your product for the correct hole sizes.

4 Installation

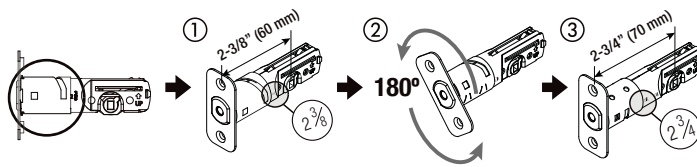
1 INSTALLING THE LATCH

A. Attach the correct faceplate

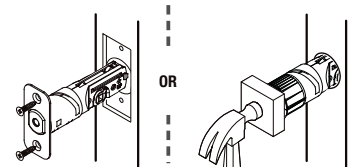


B. Set the latch backset

CAUTION: Be sure the latch cam is upright before making any backset adjustment.



C. Install the latch

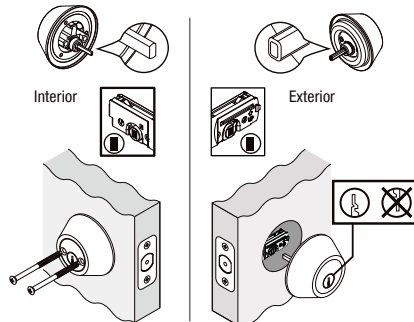
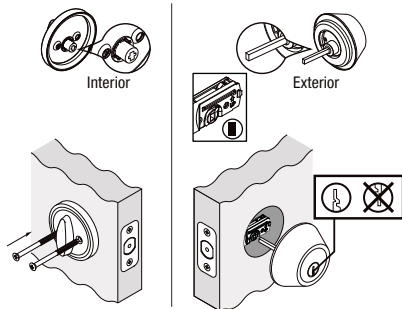
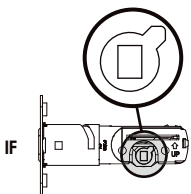


2 INSTALL CYLINDER DEADBOLT

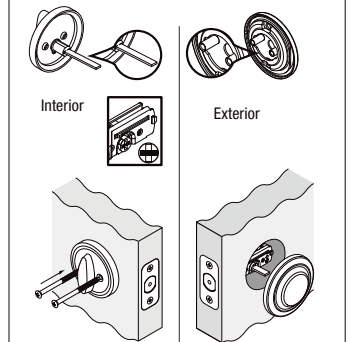
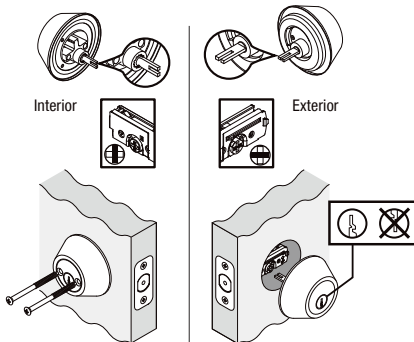
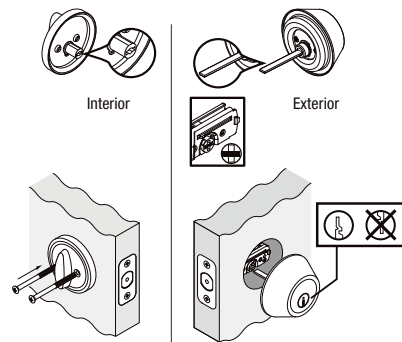
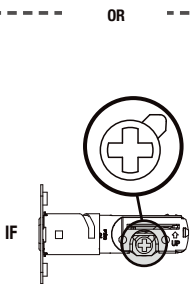
Single cylinder deadbolt

Double cylinder deadbolt

Thumbturn inside, and plain rose outside.



Not Available



3 INSTALLING THE STRIKE PLATE

