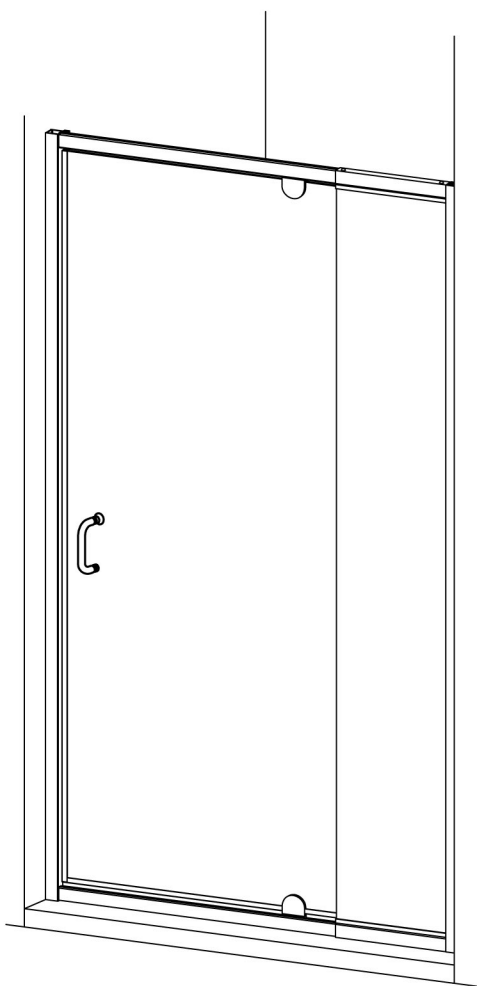


# COVE PIVOT 1/4" SEMI - FRAMELESS DOOR AND PANEL

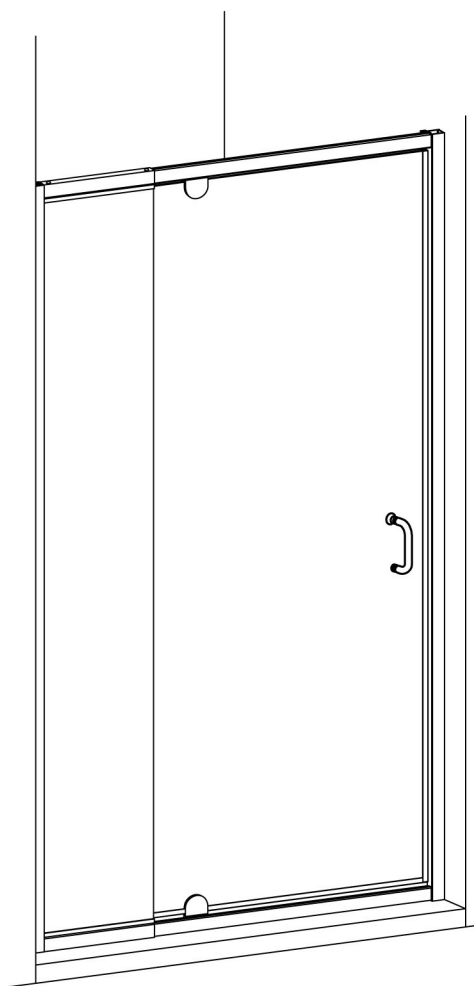


COPY THE MODEL NUMBER FOR YOU RECORDS HERE #

READ THE INSTRUCTIONS CAREFULLY, familiarize yourself with all the parts as shown in the exploded view. The exploded view will also provide a helpful reference when relating to the location of the various parts and how they are mounted.

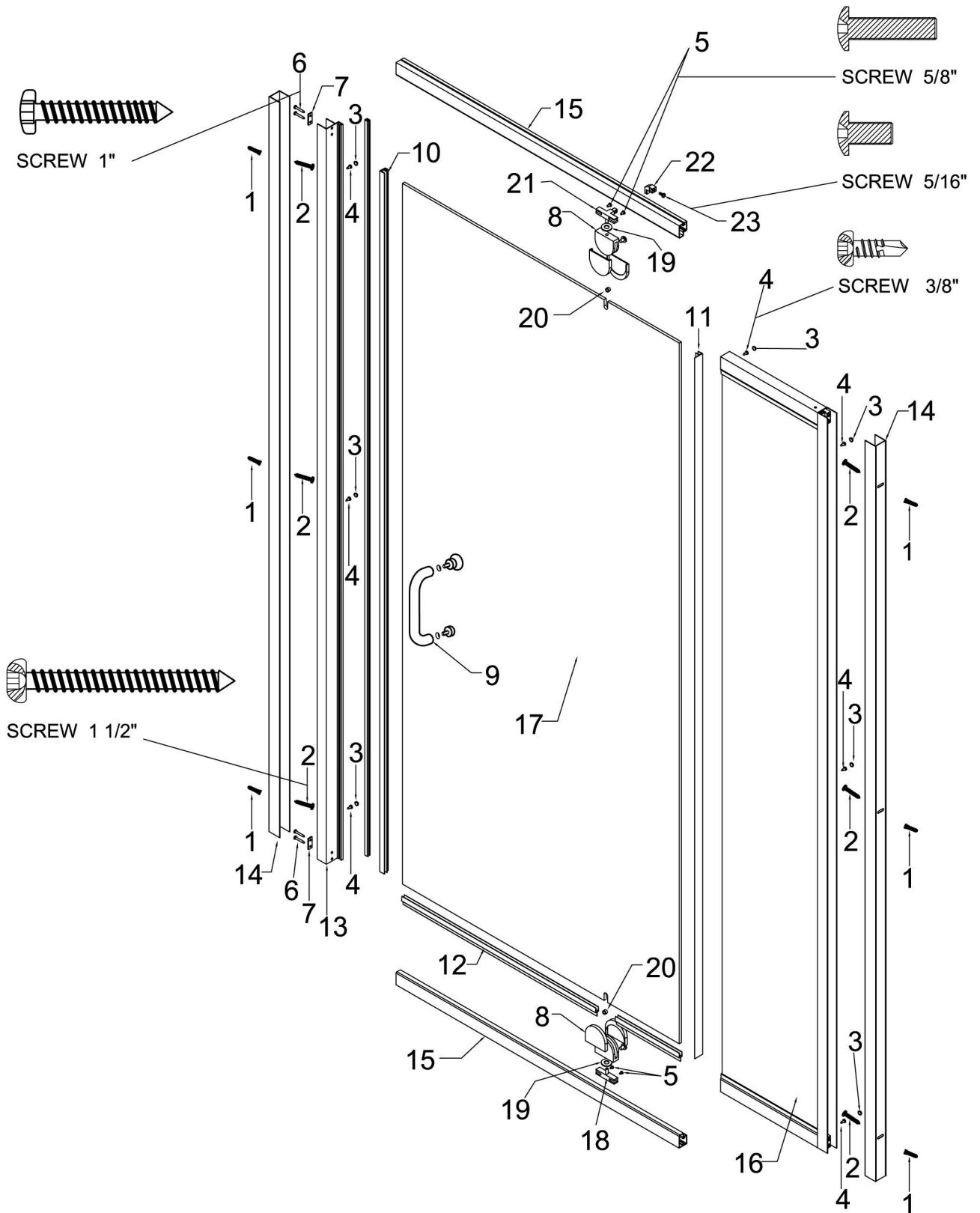


Right Pivot Install






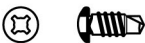




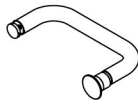



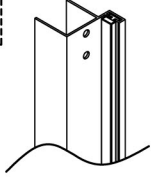
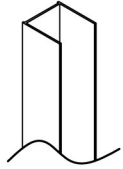
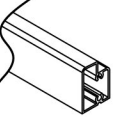
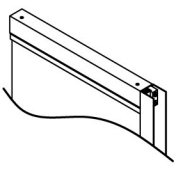
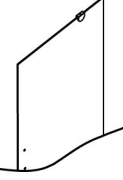
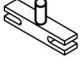





Left Pivot Install

# COVE PIVOT 1/4" SEMI-FRAMELESS DOOR AND PANEL



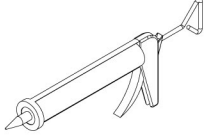
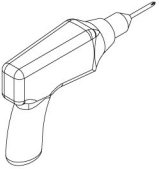
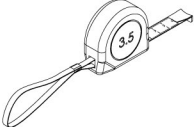
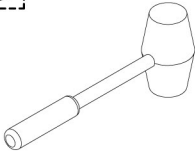
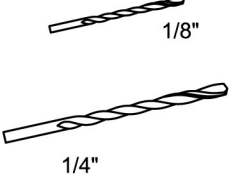
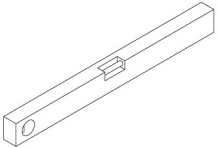
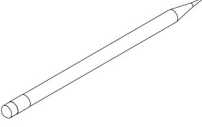
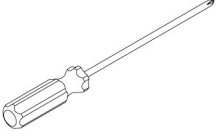

# COVE PIVOT 1/4" SEMI-FRAMELESS DOOR AND PANEL

## PARTS LIST.

				
WALL PLUG (6 pcs)	SCREW 1 1/2" (6pcs)	SCREW CAP (11pcs)	SCREW 3/8" (8pcs)	SCREW 5/8" (4pcs)
				
SCREW 1" (4pcs)	Aluminum Gasket (2 pcs)	PIVOT (2 pcs)	HANDLE (1 pcs)	Door Magnetic Plastic (2 pcs)
				
Pivot Side Splash Guard (1 pcs)	Plastic Sweep (2 pcs)	Magnetic Wall Jamb (1 pcs)	WALL JAMB (2 pcs)	TOP / BOTTOM TRACK(2 pcs)
				
Fixed Panel(1 pcs)	DOOR(1 pcs)	BOTTOM PIVOT BLOCKS(1 pcs)	PIVOT WASHER (2 pcs)	WASHER (2 pcs)
				
		TOP PIVOT BLOCKS(1 pcs)	STOPPER (1 pcs)	SCREW 5/16" (1 pcs)

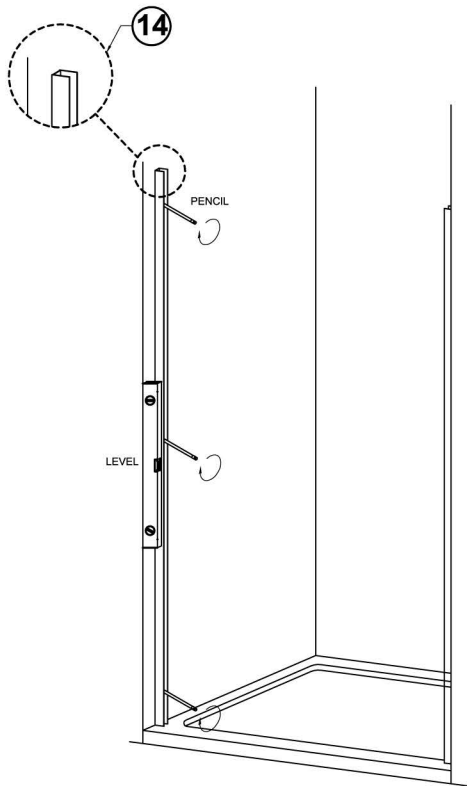
**WARNING: Safety glasses should always be worn when working with tempered glass**

## Recommended TOOLS

				
SILICONE	DRILL	MEASURE TAPE	RUBBER Mallet	DRILL BITS
				
LEVEL	PENCIL	SCREW DRIVERS	SAFETY GLASSES	

# COVE PIVOT 1/4" SEMI-FRAMELESS DOOR AND PANEL

**STEP 1** Set the level on the walls to ensure that they are plum, then set the wall jamba (14) in place and mark the hole locations.



**STEP 2** Next drill holes in the wall and using a rubber mallet, insert the wall plugs (1).

Step 2-1: For Acrylic & Fiberglass Shower Enclosures

Using a 1/8 inch drill bit, drill a hole about 1-1/2 inch deep at each of the previously marked locations.

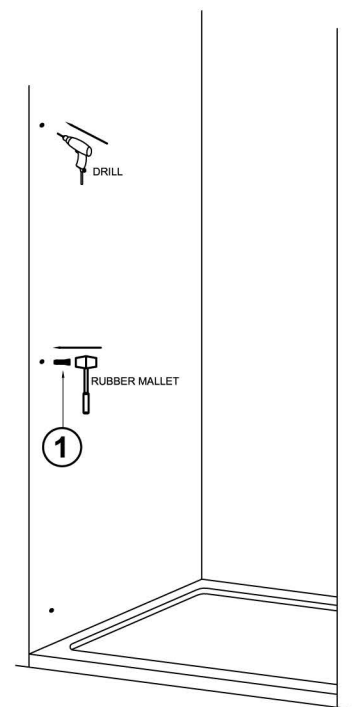
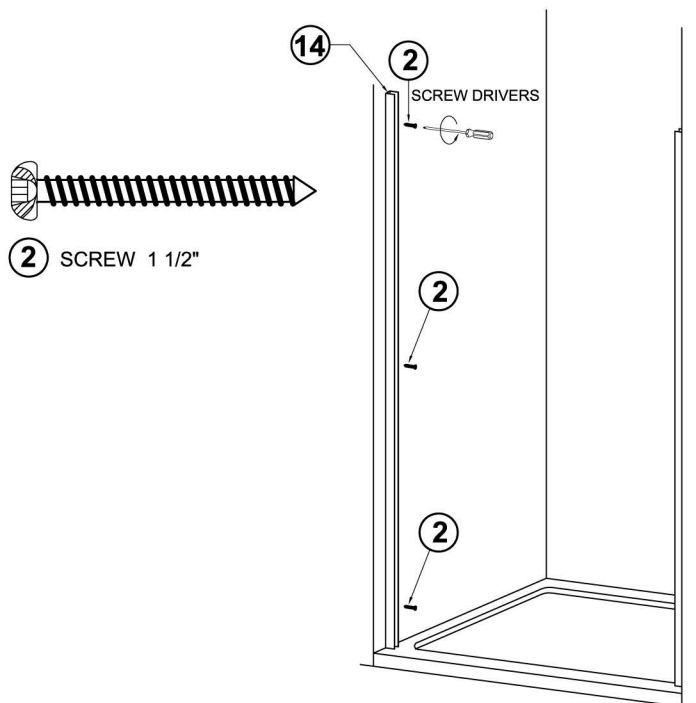
**WARNING: Do not use wall anchors with fiberglass of acrylic shower enclosures**

Step 2.2: For Tiled Shower Enclosures

Using a 1/4 inch Masonry drill bit, drill a hole about 1-1/2 inch deep at each of the previously marked locations.

Step 2.3: For Tiled Shower Enclosures  
Insert wall anchors (1) into each of the drilled holes.

**STEP 3** Set wall jamba (14) in place and screw (2) into the walls.



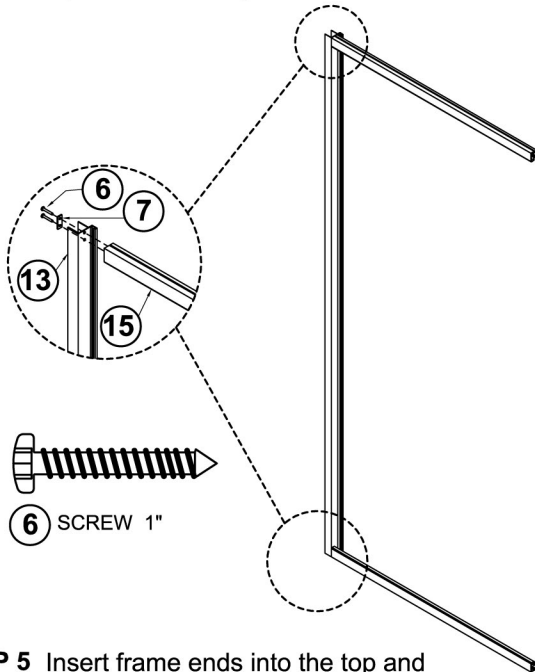


# COVE PIVOT 1/4" SEMI-FRAMELESS DOOR AND PANEL

Choose whether you will need to assemble your shower door to open from the right or left.  
Follow the appropriate diagram below.

## Right Pivot Assembly

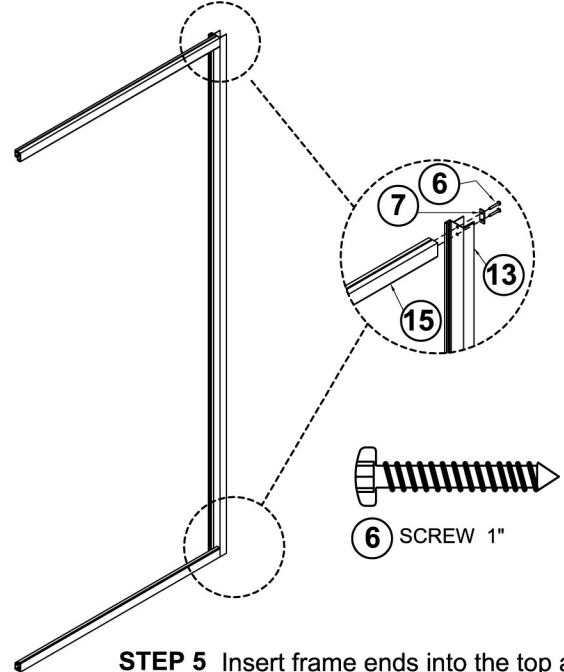
**STEP 4** Connect magnetic wall jamb (13) to the top and bottom track (15) with aluminum gasket (7) and screws (6), the screws get attached from the back side of the jamb into the top and bottom.



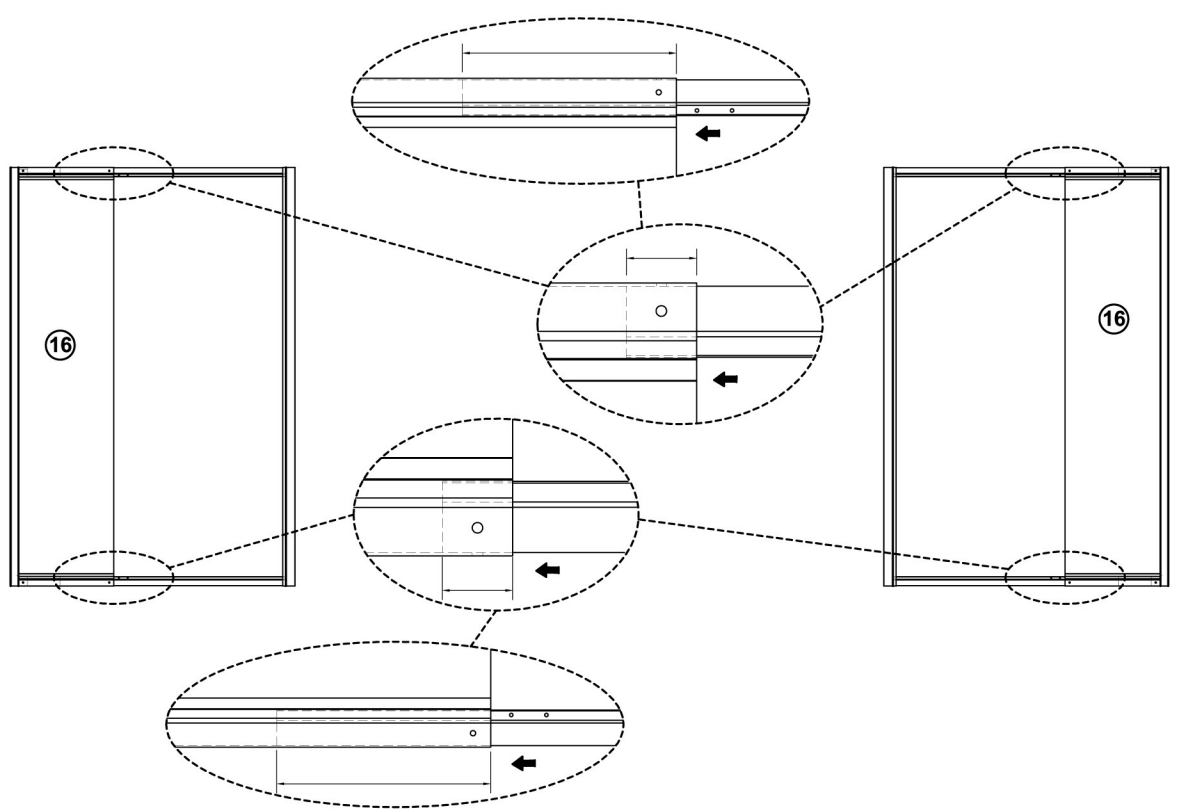
**STEP 5** Insert frame ends into the top and bottom opening of fixed panel (16) and slide until entire assembly is roughly 4" narrower than overall opening width.

## Left Pivot Assembly

**STEP 4** Connect magnetic wall jamb (13) to the top and bottom track (15) with aluminum gasket (7) and screws (6), the screws get attached from the back side of the jamb into the top and bottom.



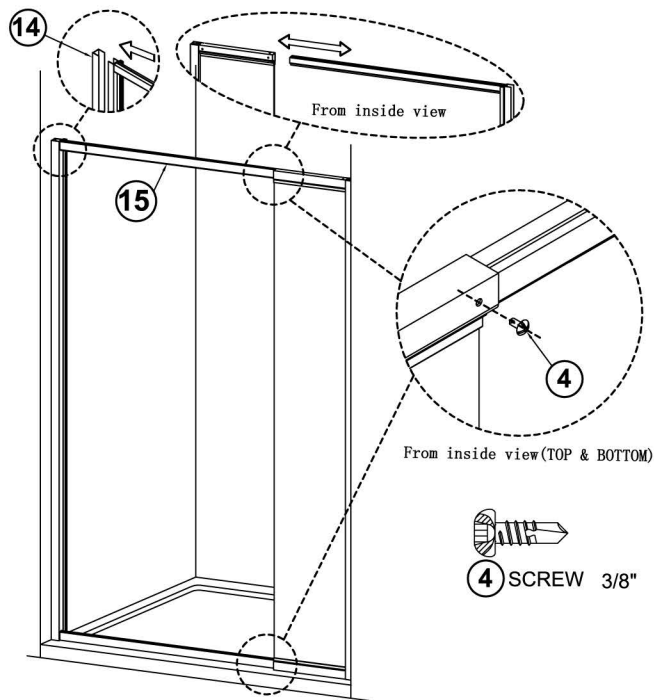
**STEP 5** Insert frame ends into the top and bottom opening of fixed panel (16) and slide until entire assembly is roughly 4" narrower than overall opening width.



# COVE PIVOT 1/4" SEMI-FRAMELESS DOOR AND PANEL

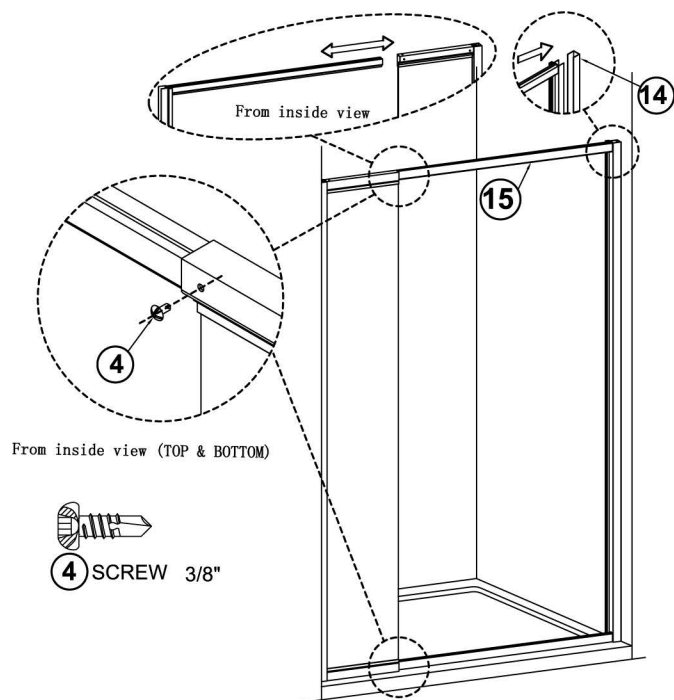
## Right Pivot Assembly

**STEP 6** Lift entire frame assembly into opening and push ends outward to engage wall jambs. Use ④ screw on top and bottom frame to lock assembly in place.

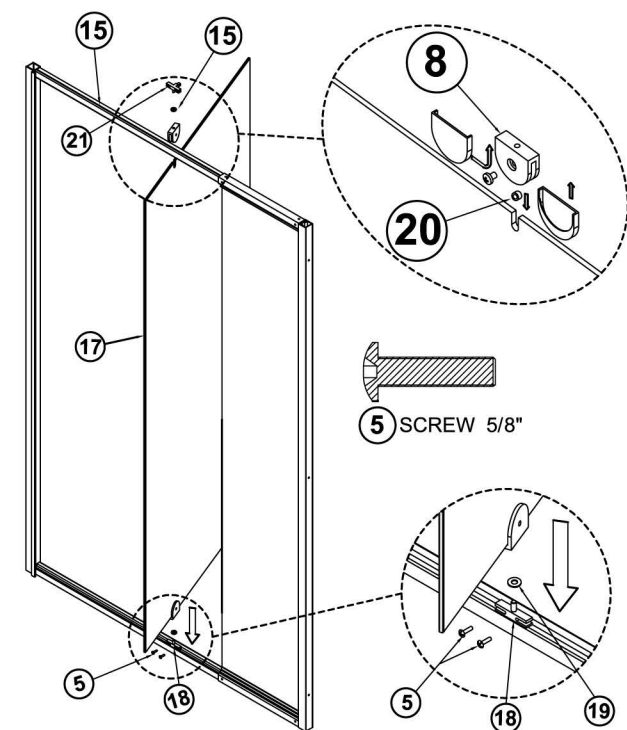


## Left Pivot Assembly

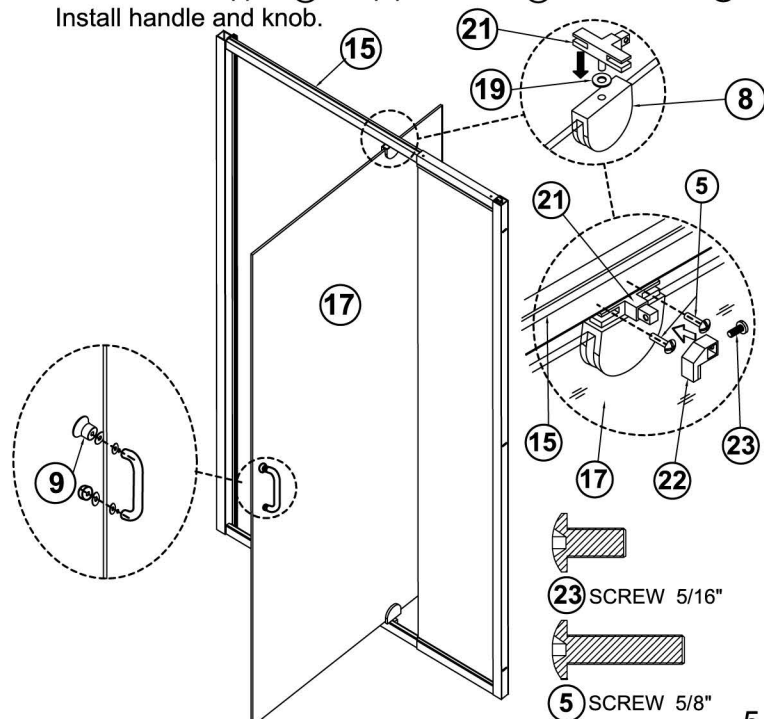
**STEP 6** Lift entire frame assembly into opening and push ends outward to engage wall jambs. Use ④ screw on top and bottom frame to lock assembly in place.



**STEP 7** Insert Pivots ⑧ over the glass and screw together. Set pivot washer ⑲ over pivot pin on top of pivot block. Carefully lower door panel ⑰ on to pivot block ⑱ inserting pivot pin into corresponding hole in pivot ⑧, slide decorative covers over both faces of pivots ⑧.

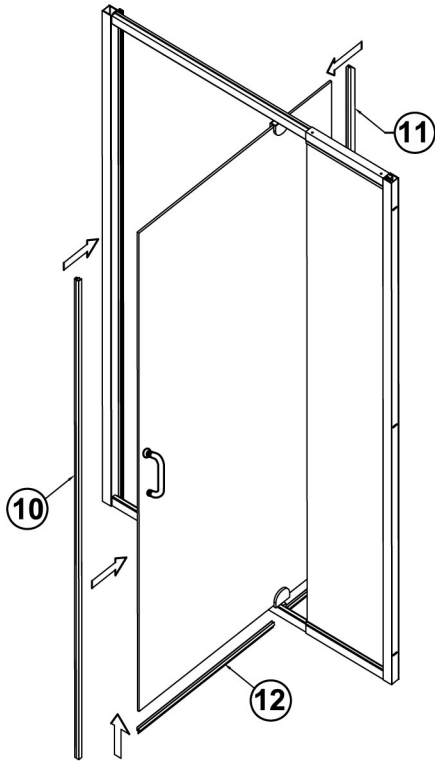


**STEP 8** Tilt door panel ⑰ slightly into the shower. Set pivot washer ⑲ over pivot block ⑱ pin and insert pin into top of pivot ⑧, Tilt door panel back up and attach pivot block ⑲ to top frame ⑮ with 2 screws ⑤, adjust any gaps by sliding top and bottom pivot block ⑧ and re-tightening mounting screws, Then fix the stopper ⑳ to top pivot block ⑲ with 1 screw ㉓. Install handle and knob.

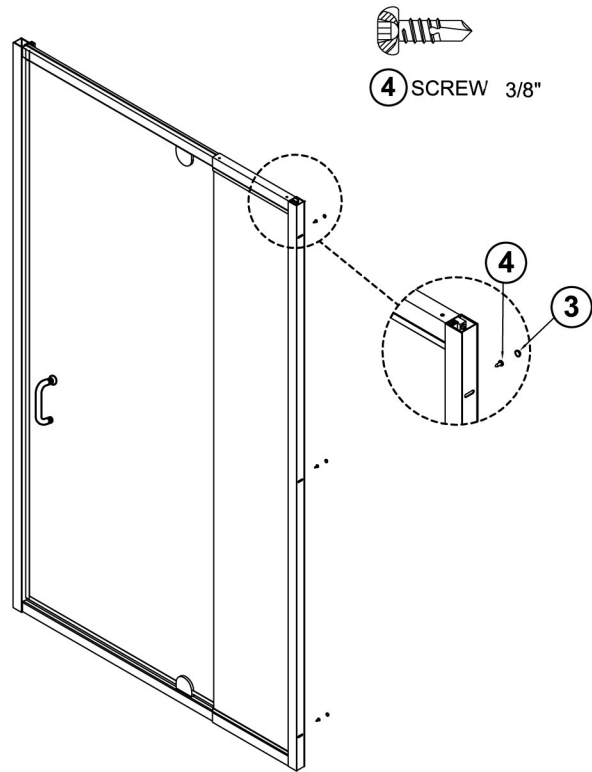


# COVE PIVOT 1/4" SEMI-FRAMELESS DOOR AND PANEL

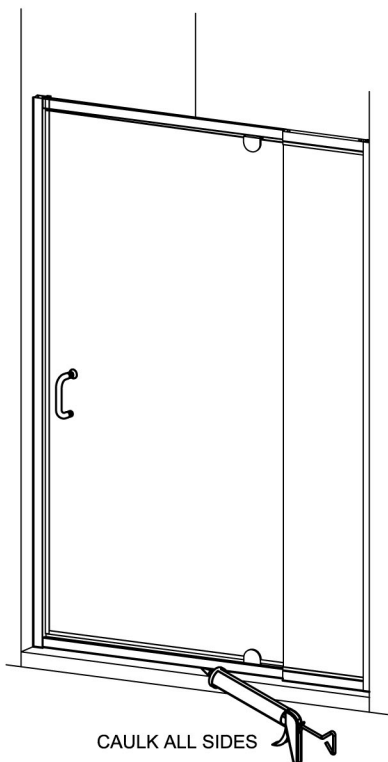
**STEP 9** Attach magnetic door plastic (10) to outside of glass door panel (17). Next, attach Pivot side splash guard (11) to opposite end of glass and Sweep (12) on the bottom.



**STEP 10** Make adjustments to fit opening, add screws (3) into the frame work and cover screws with caps (4).



**STEP 11** CAULK ALL SIDES.



**FINAL STEP:** Caulk the inside sides of the shower door frame to seal. Keep the entire area dry for a minimum of **24** hours. Your installation is now complete. Thank you for choosing Foremost shower doors. ***If you have any questions or require any assistance please contact our customer service center in Hobart Indiana.***

**Toll Free:** 888.620.3667

**Email:** [KandBservice@foremostgroups.com](mailto:KandBservice@foremostgroups.com)

**Hours:** 8:00am-4:30pm (CST) Monday-Friday