

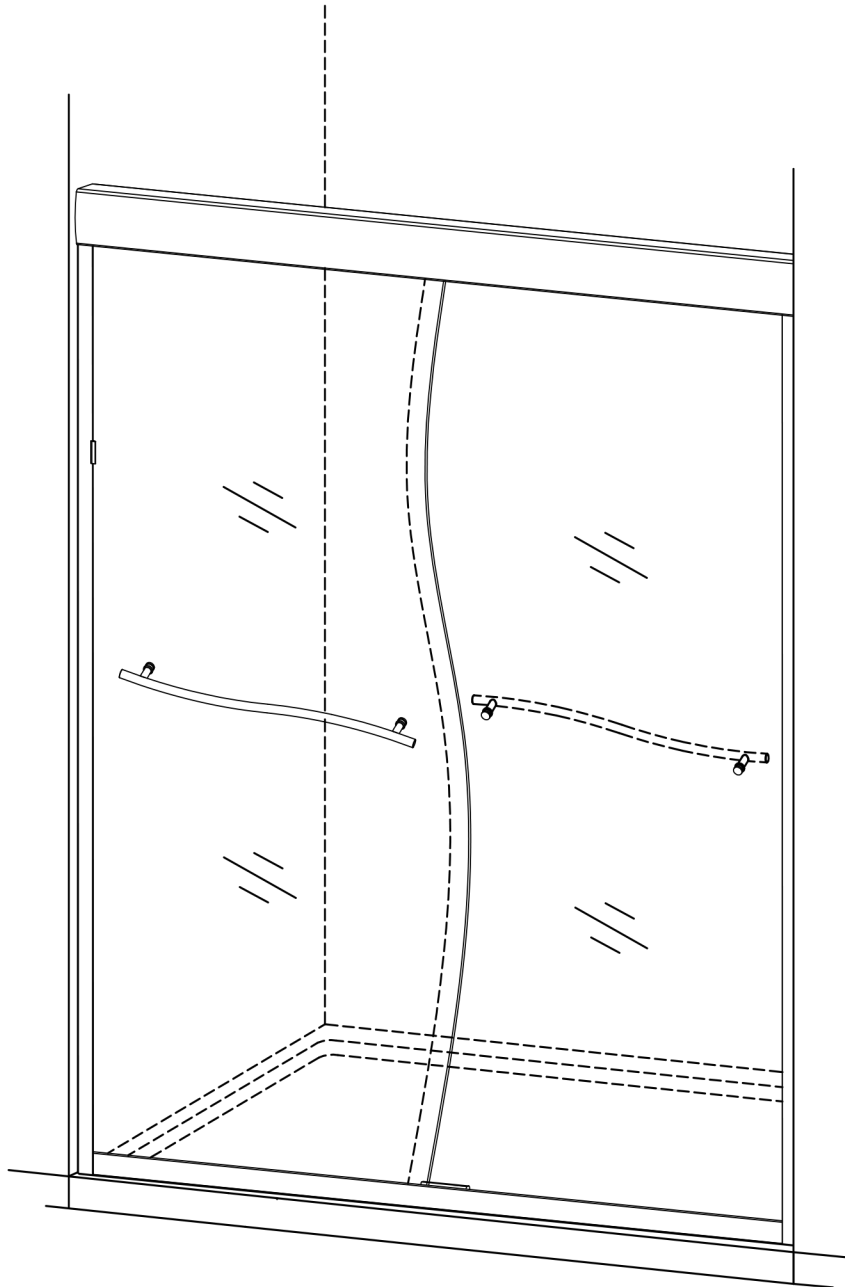
Suave Double Sliding Doors

MISENO

Customer Service 1-855-480-2915

COPY THE MODEL NUMBER FOR YOU RECORDS HERE #

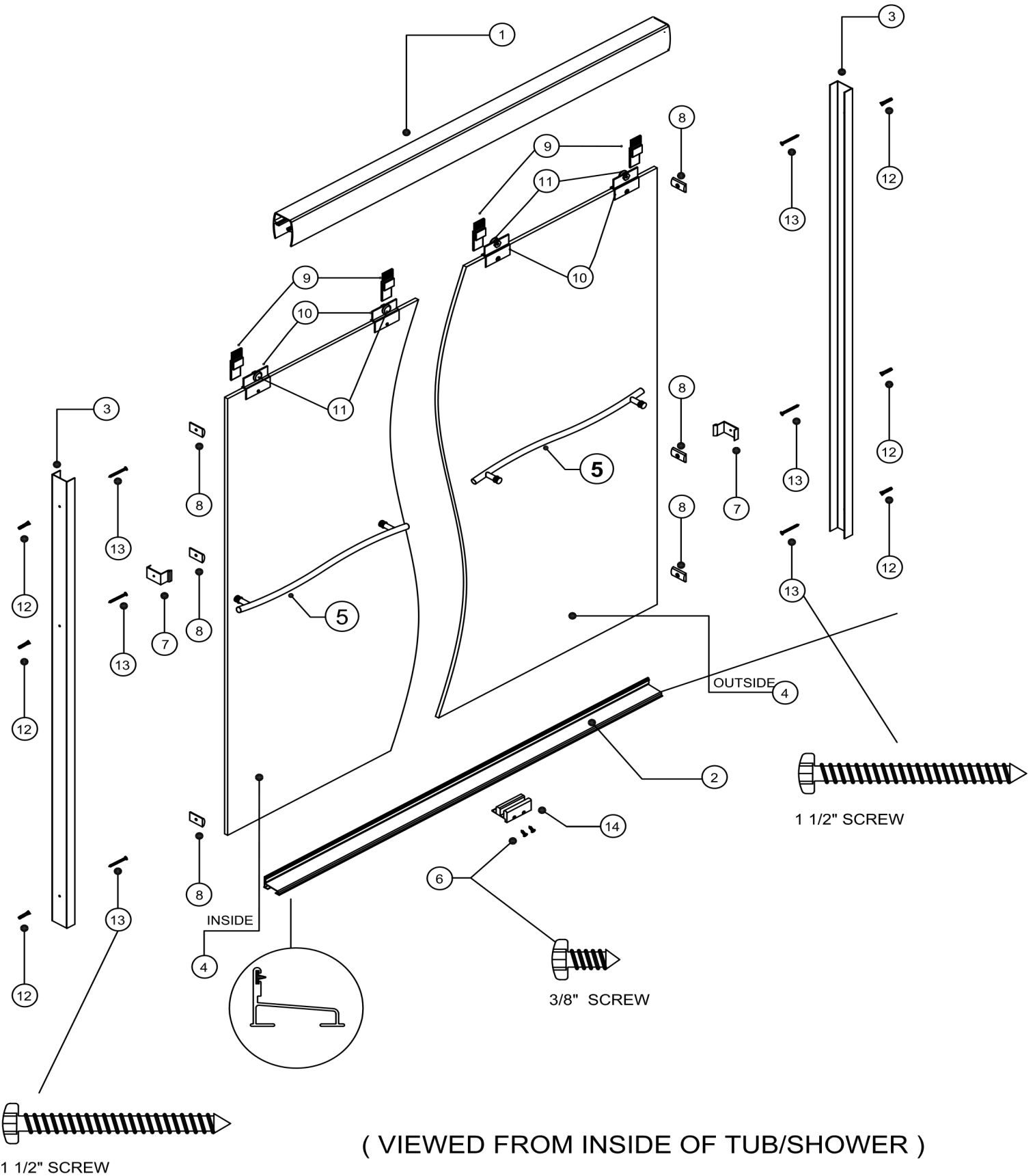
READ THE INSTRUCTIONS CAREFULLY, familiarize yourself with all the parts as shown in the exploded view. The exploded view will also provide a helpful reference when relating to the location of the various parts and how they are mounted.



Suave Double Sliding Doors

MISENO

Customer Service 1-855-480-2915



Suave Double Sliding Doors

MISENO

Customer Service 1-855-480-2915

PARTS LIST.

TOP TRACK (1 pcs)	BOTTOM TRACK (1 pcs)	WALL JAMB (2 pcs)	DOOR PANEL (Inside / Outside)	TOWEL BAR (2 pcs)
PANEL GUIDE (1 pcs)	BUMPER GUIDE (2 pcs)	WALL BUMPER (6 pcs)	SAFE SLIDER CLIP (4 pcs)	GLASS HANGER (4 pcs)
ROLLER (4 pcs)	WALL PLUG (6 pcs)	1 1/2" SCREW (6pcs)	3/8" SCREW (2 pcs)	TOWEL BAR WRENCH (2 3/8" LONG 1 pcs)
	<p>WARNING: Safety glasses should always be worn when working with tempered glass</p>			
SAFE SLIDER INSTALL ROD (4" LONG 1 pcs)				

Recommended TOOLS

SILICONE	DRILL	MEASURE TAPE	RUBBER MALLET	DRILL BITS (1/8" and 1/4")
LEVEL	PENCIL	SCREW DRIVERS	HANDSAW	SAFETY GLASSES

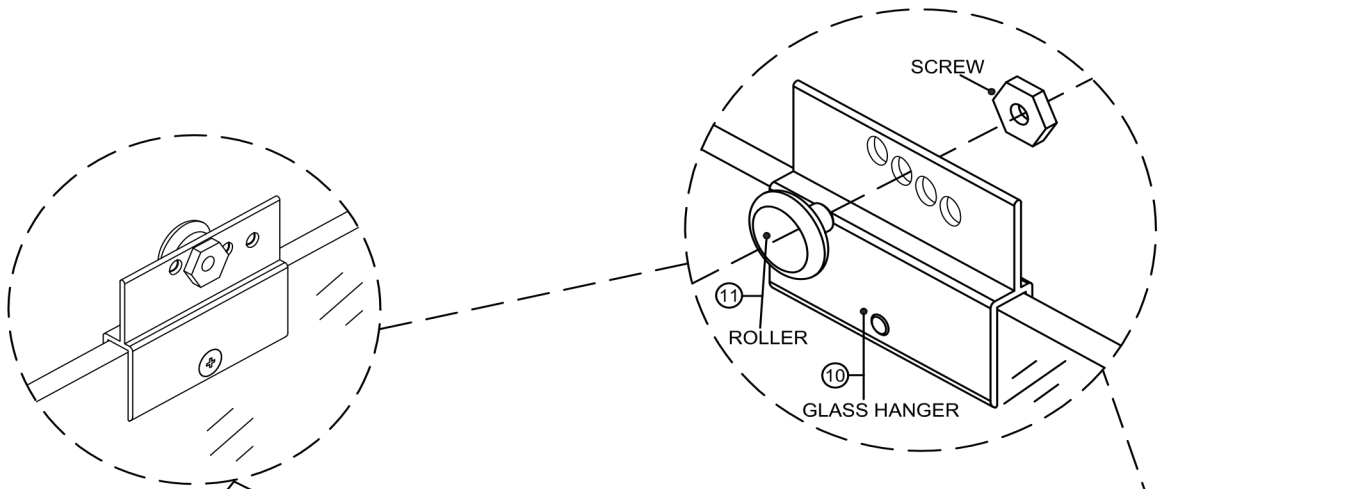
Suave Double Sliding Doors

MISENO

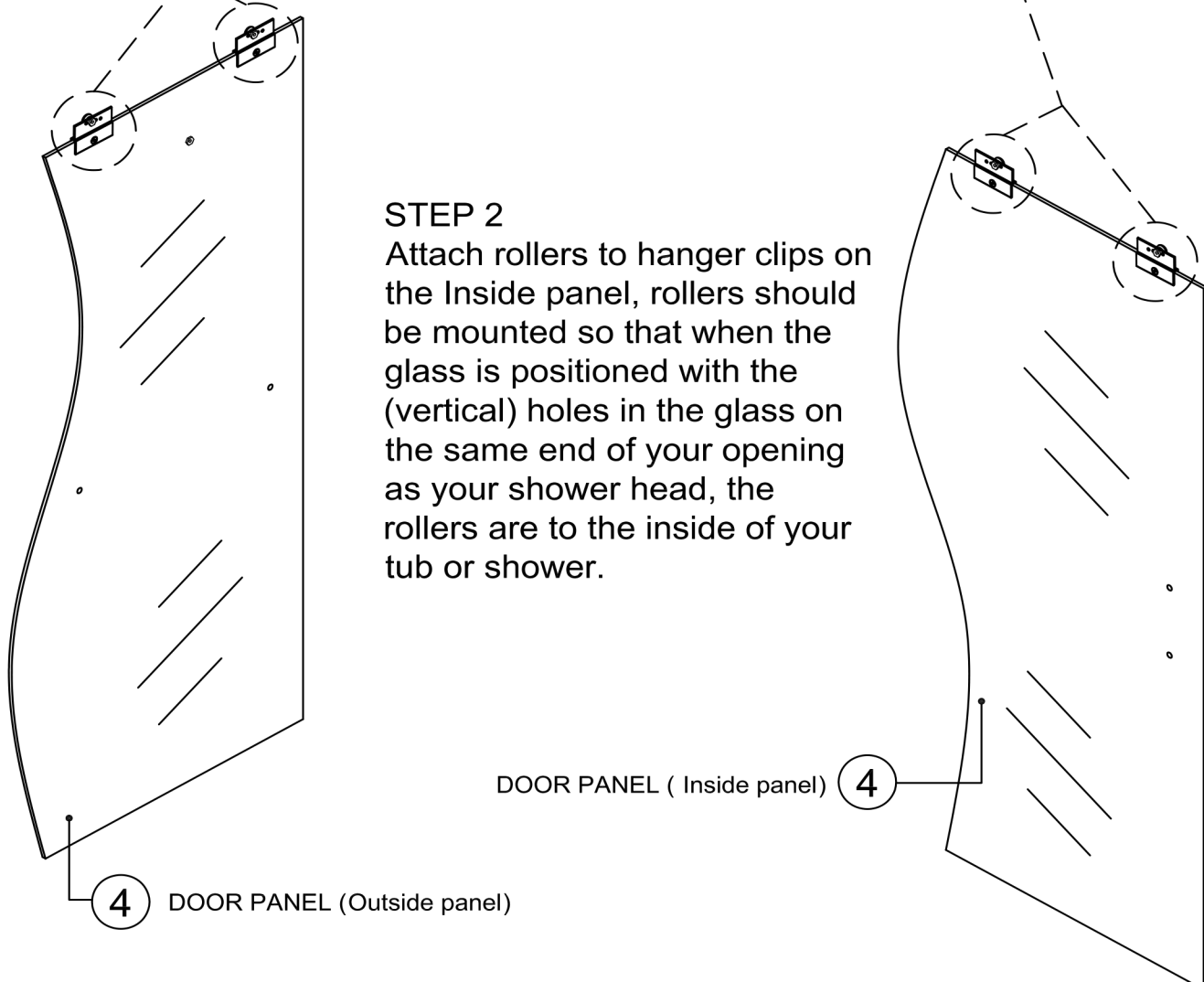
Customer Service 1-855-480-2915

STEP 1: Attach rollers to hanger clips on outside panel (with horizontal towel bar holes). Rollers should be mounted so that the nut that holds it in place is on the same side of the panel as the screw head set into the hanger clip (see inset drawings).

NOTE: The various holes in the hanger clip are used to fine tune the adjustment of the panel to make up for walls that are slightly out of square or plumb. For best results start with all rollers in the second hole from the top and then make adjustments as needed.



STEP 2
Attach rollers to hanger clips on the Inside panel, rollers should be mounted so that when the glass is positioned with the (vertical) holes in the glass on the same end of your opening as your shower head, the rollers are to the inside of your tub or shower.



DOOR PANEL (Inside panel)

DOOR PANEL (Outside panel)

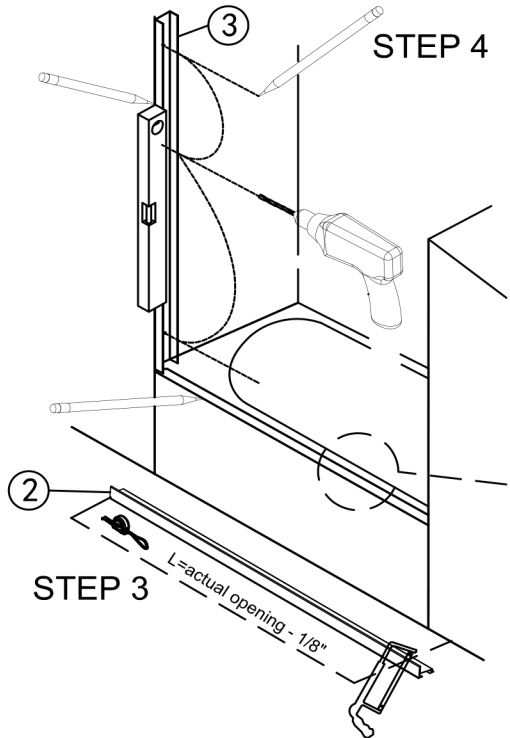
Suave Double Sliding Doors

MISENO

Customer Service 1-855-480-2915

STEP 3

Measure opening on bottom and cut Bottom track (2) 1/8" shorter than opening.



STEP 4

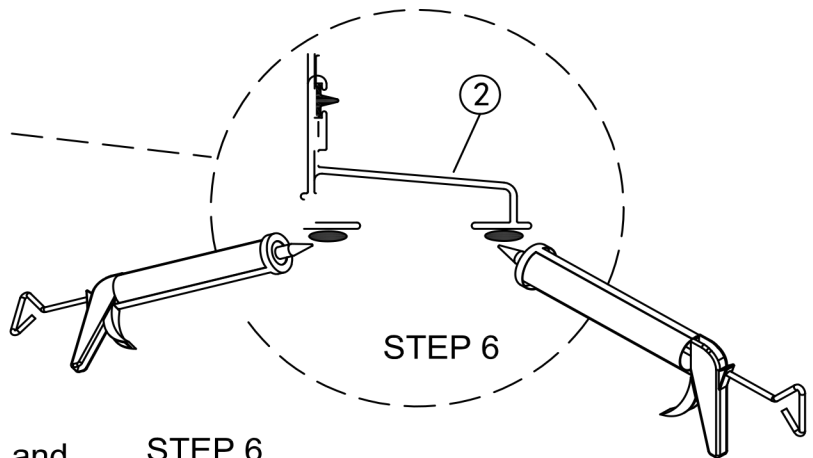
Place wall jamb down over bottom track so that the back of the jamb is between the bottom track and the wall. Using a level to insure jamb is plumb, mark hole locations. Remove jamb and drill holes about 1 1/2" deep at each of the marked locations.



NOTE: When drilling into ceramic, glass or stone use a 1/4" MASONRY drill bit. **When installing on fiberglass or acrylic use a 1/8" drill bit and discard the wall plugs.**

STEP 5

Repeat step 4 on the other side.



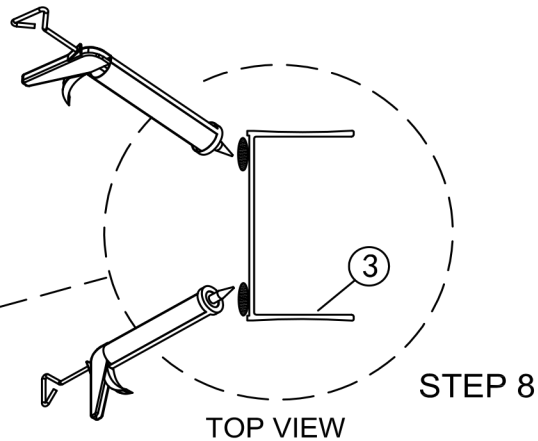
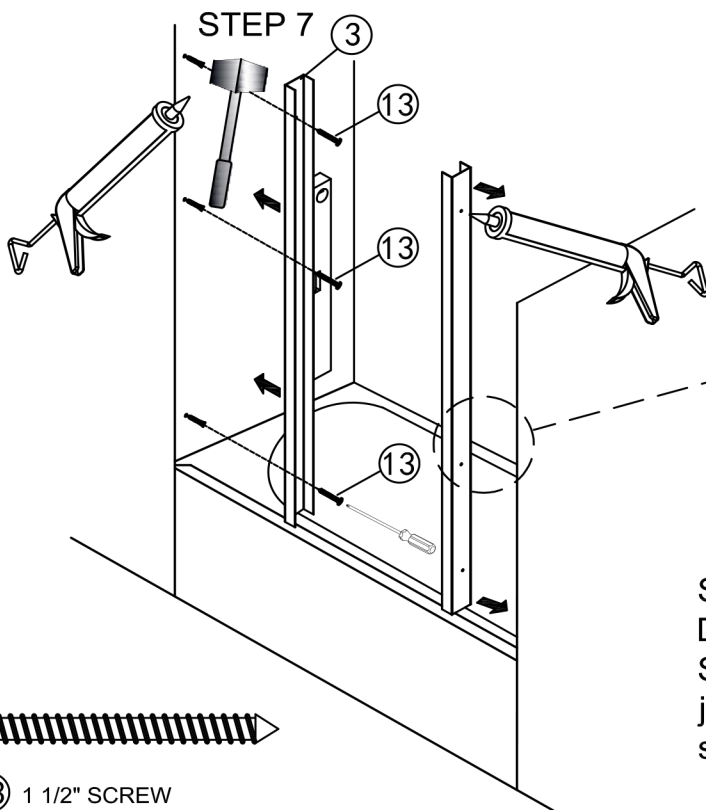
STEP 7

Push wall plugs into holes drilled in step 4 and tap them in with a rubber mallet.

NOTE: If you are installing on fiberglass or acrylic, skip this step and discard the wall plugs.

STEP 6

Run a thin bead of silicone caulk down the entire length of both bottom ledges on the bottom track. Place the bottom track into position and press down firmly along the length of the track.



STEP 8

Dab silicone into all 3 holes on each side. Run 1 1/2" Screws through wall bumper and use to attach wall jamb to wall in top and bottom holes only on both sides.



(13) 1 1/2" SCREW

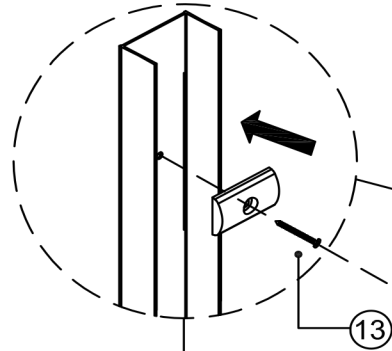
Suave Double Sliding Doors

MISENO

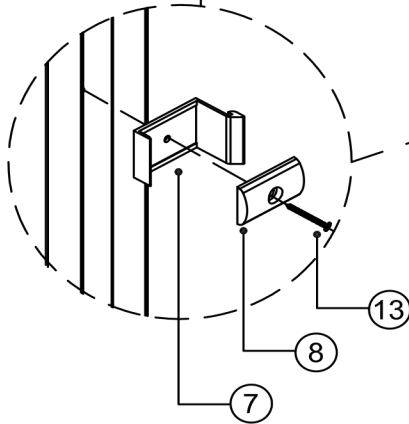
Customer Service 1-855-480-2915

STEP 9

Use 1 1/2" screws to anchor wall bumper and bumper guide into center hole on each side.



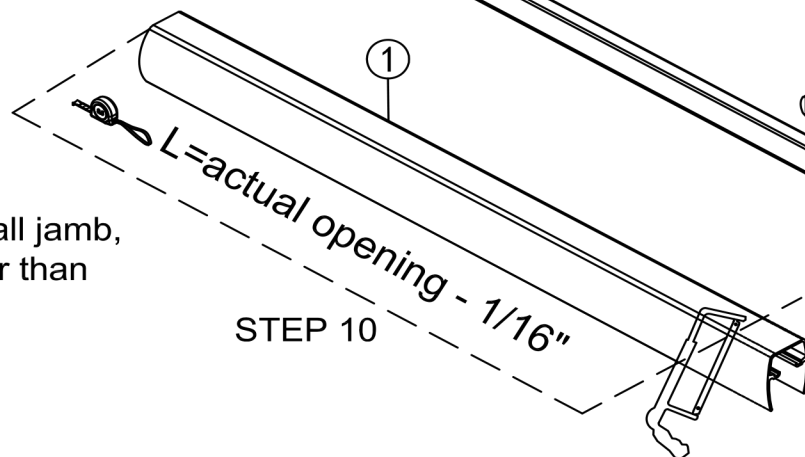
STEP 9



⑬ 1 1/2" SCREW

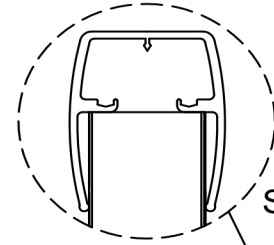
STEP 10

Measure opening at top of wall jamb, cut Top track ① 1/16" shorter than opening.



STEP 11

Place top track down over wall jambs as shown.

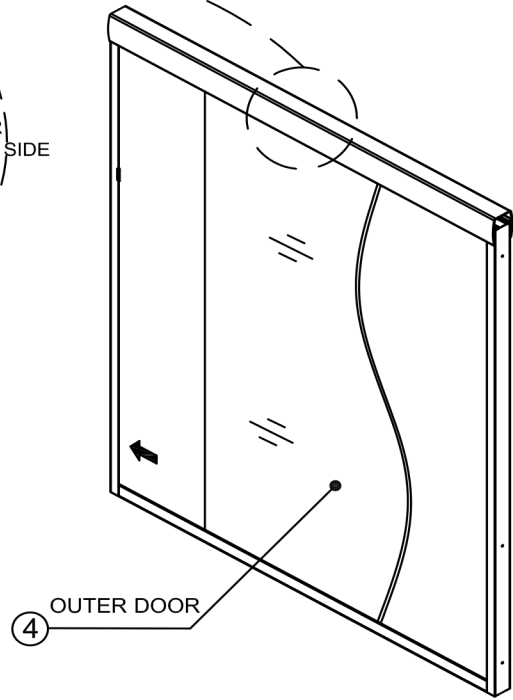
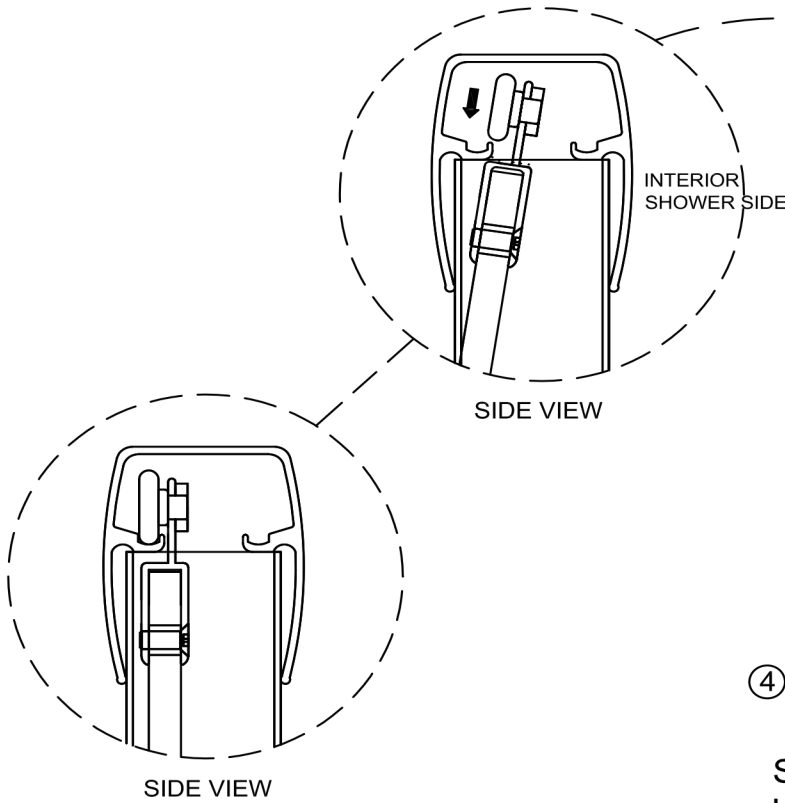


STEP 11

Suave Double Sliding Doors

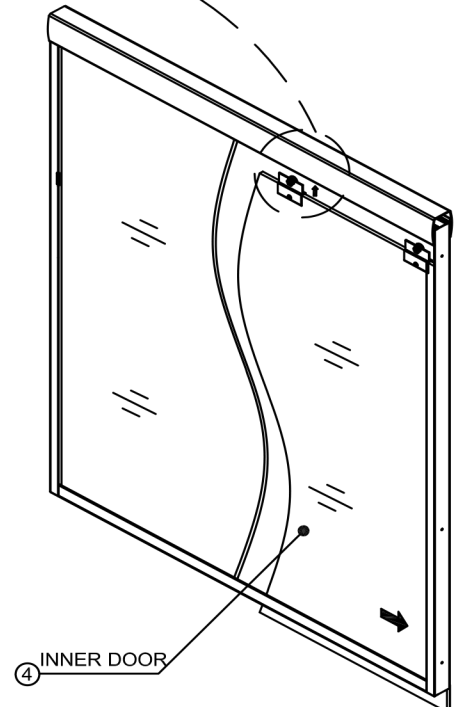
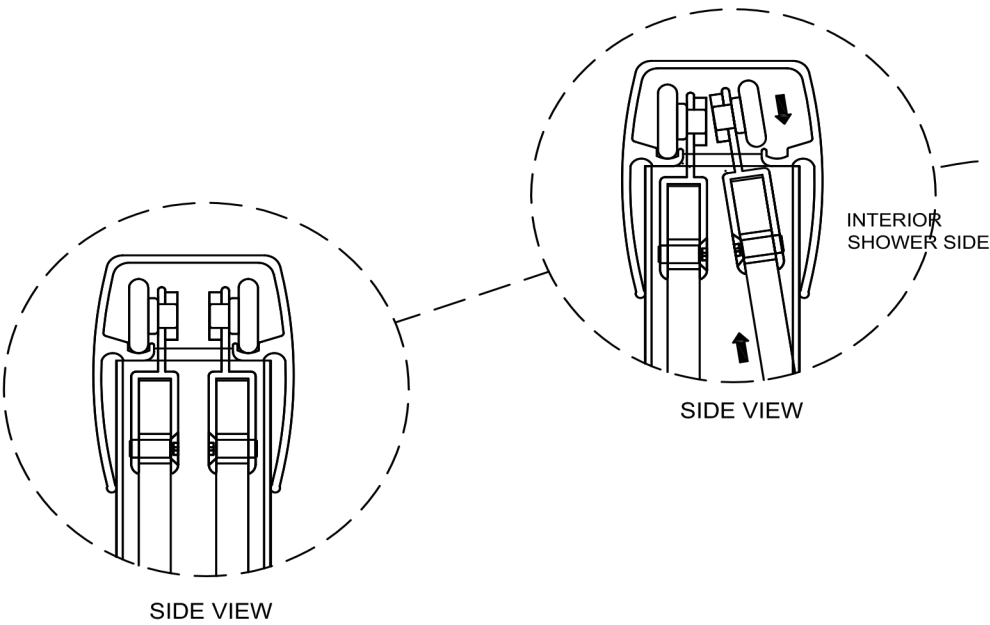
MISENO

Customer Service 1-855-480-2915



STEP 12

Install outer Door panel by lifting up & into Top track ① (Do not lift by towel bar, be careful not to bump panel against metal track.)



STEP 13

Insert inner door panel by lifting up & into Top track.

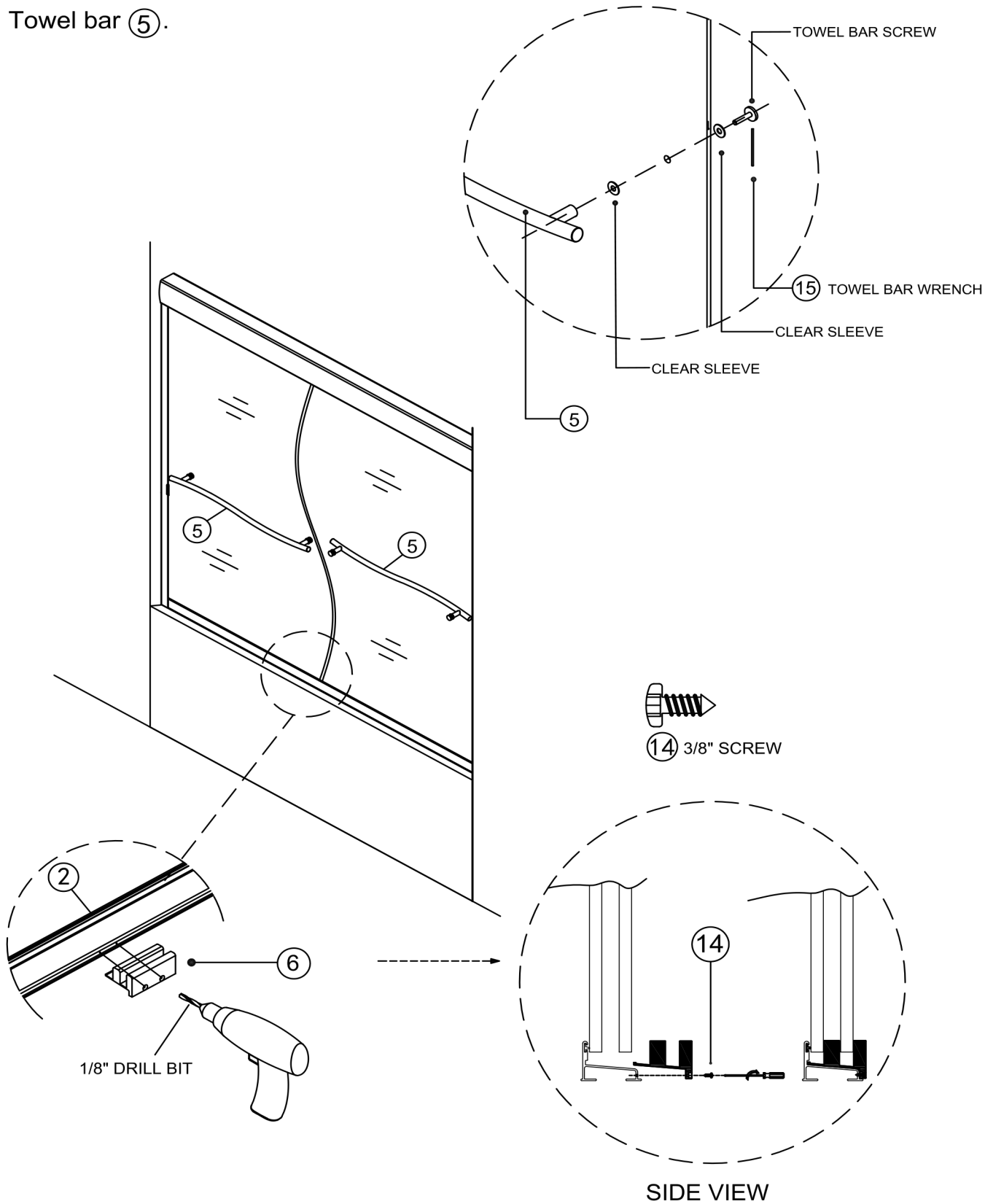
Suave Double Sliding Doors

MISENO

Customer Service 1-855-480-2915

STEP 14

Install Towel bar (5).

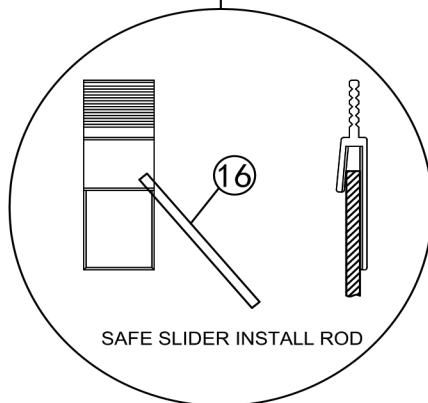
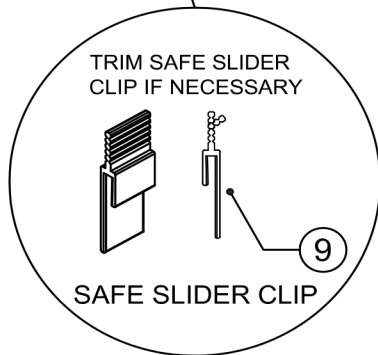
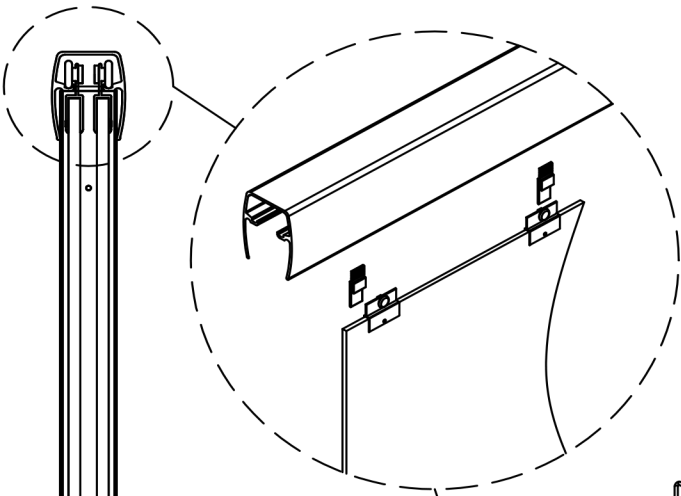


STEP 15

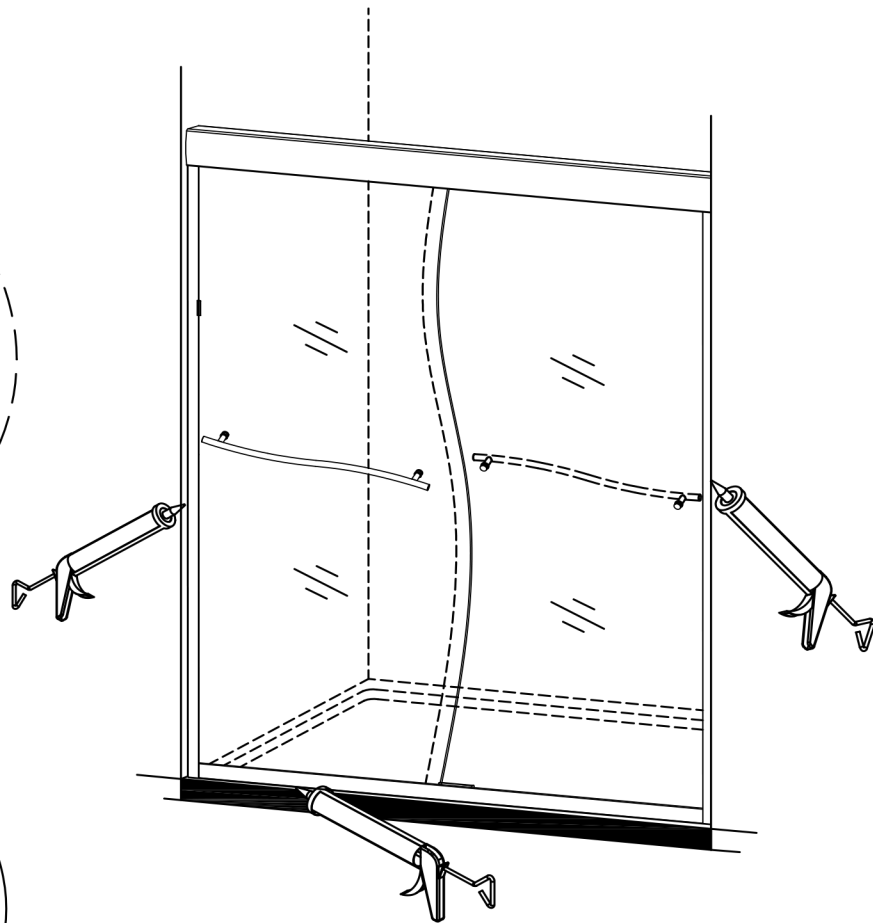
Position panel guide in center of Bottom track. Drill two 1/8" holes through screw holes in guide and into Bottom track. Position panels in guide as shown in inset drawing and attach guide to bottom track using 3/8" screws.

STEP 16

At last, Install safe slider clip ⑨.



To install safe slider clip. Put install bar into clip and lift onto clip hanger pull down leaving clip in place.



CAULK ALL SIDES



FINAL STEP: Caulk both sides of the shower door frame to seal. Keep the entire area dry for a minimum of **24** hours. Your installation is now complete. Thank you for choosing Miseno shower doors. *If you have any questions or require any assistance please contact our customer service center in Chico California.*

Toll Free: 1-855-480-2915

Email: infoservice@miseno.com