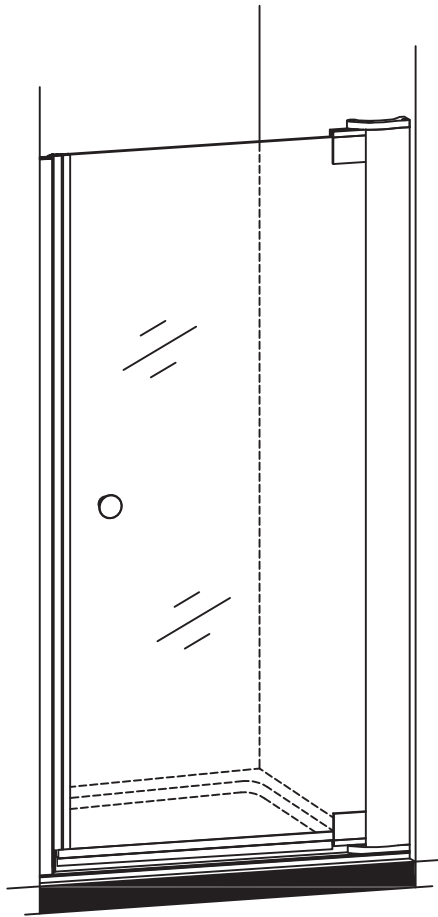


# Pivot Shower Door Install Guide

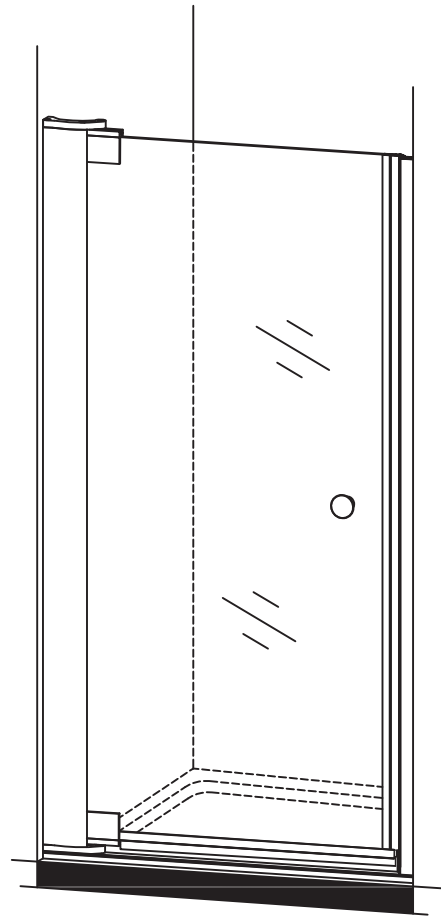


COPY THE MODEL NUMBER FOR YOU RECORDS HERE #

READ THE INSTRUCTIONS CAREFULLY, familiarize yourself with all the parts as shown in the exploded view. The exploded view will also provide a helpful reference when relating to the location of the various parts and how they are mounted.

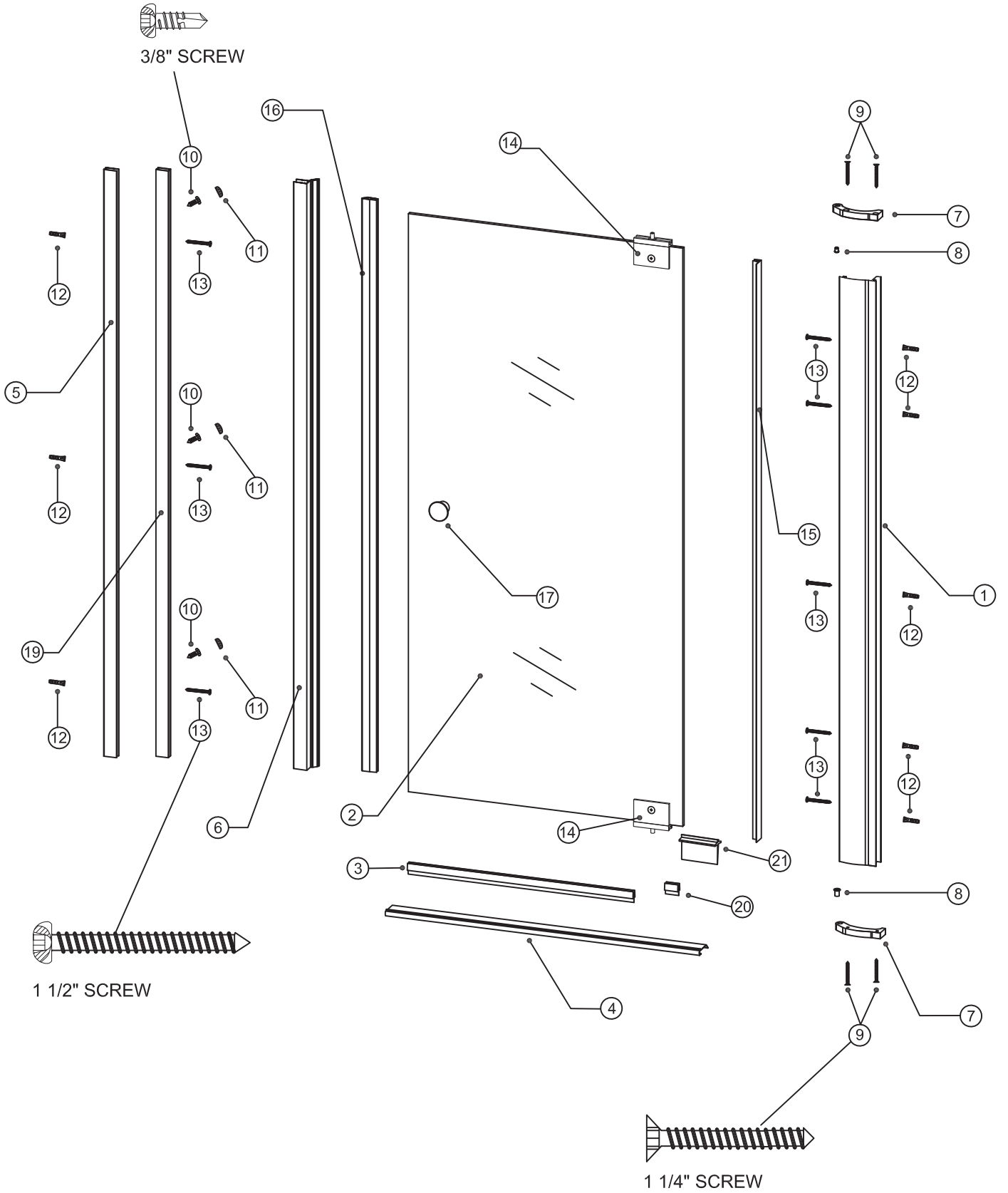


Right Pivot Install


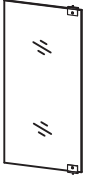




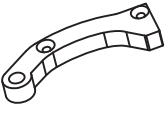






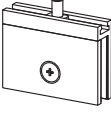

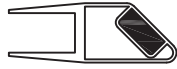


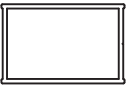

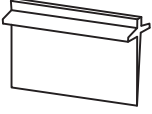


Left Pivot Install



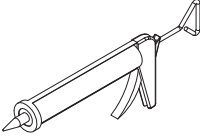
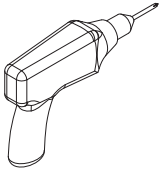
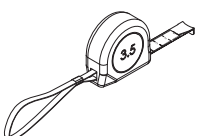
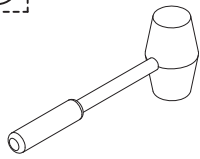
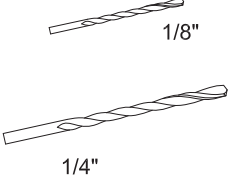
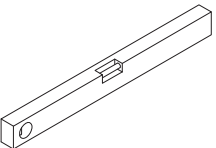
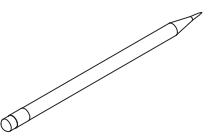
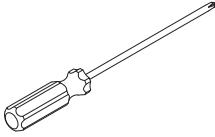
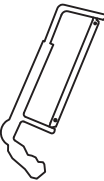



## PART LIST

					
Pivot Jamb(1 Pcs)	Door Panel (1 Pcs)	Vinyl Sweep (1 Pcs)	Threshold (1 Pcs)	Strike Adjustment Rail (1 Pcs)	Magnetic Strike (1 Pcs)
					
Pivot Bracket Arm (2 Pcs)	Pivot Bushing (1 Pcs)	1 1/4" Screw(4 pcs)	3/8" Screw (3 pcs)	Screw Cap (7 pcs)	Wall plug (8 pcs)
					
1 1/2" Screw (8 pcs)	Pivot Plate (2 pcs)	Pivot Side Vinyl Strip (1 pcs)	Magnetic Vinyl Strip (1 pcs)	Handle (1 pcs)	Wrench(2 pcs)
					
Strike Extender Piece (1 pcs)	Vinyl Sweep (1 pcs)	Pivot Plate Vinyl (1 pcs)			

**WARNING: Safety glasses should always be worn when working with tempered glass**

### Recommended TOOLS

				
SILICONE	DRILL	MEASURE TAPE	RUBBER MALLET	DRILL BITS
				
LEVEL	PENCIL	SCREW DRIVERS	HANDSAW	SAFETY GLASSES

**STEP 1**

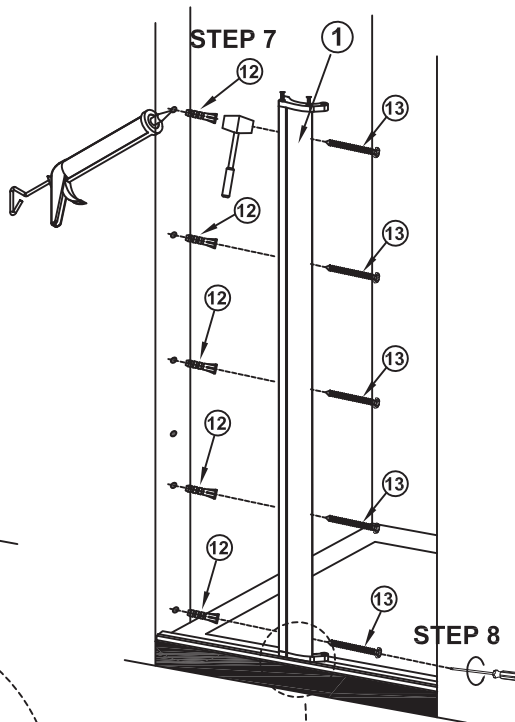
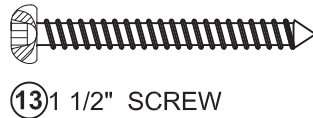
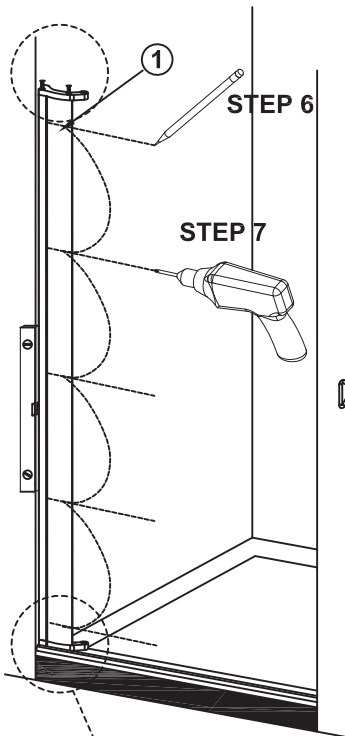
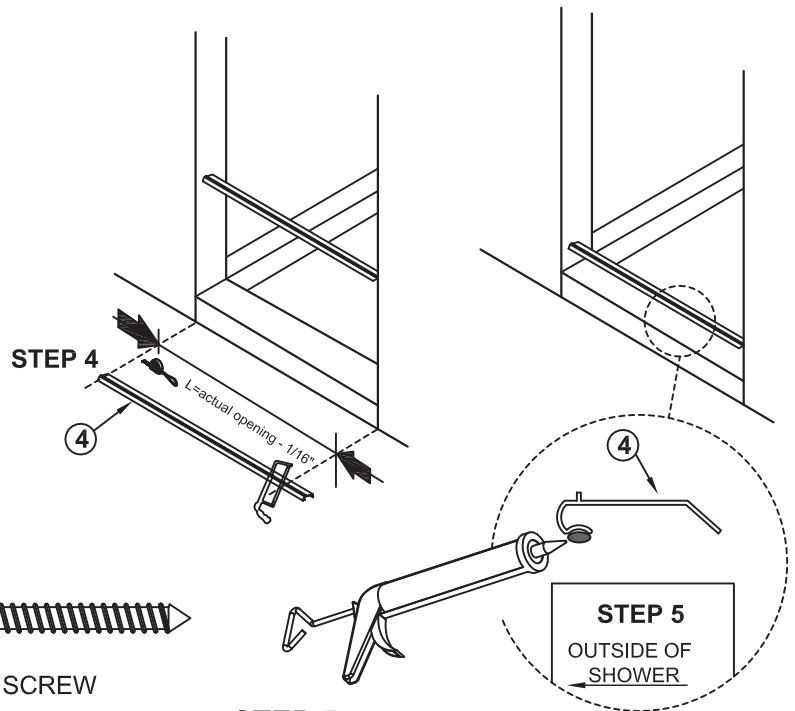
Choose whether you will need to assemble your shower door to open from the right or left.

**STEP 2** Attach bottom Pivot Bracket Arm ⑦ to Pivot Jamb ① using 1 1/4" screws ⑨ .  
Insert Pivot Bushing ⑧ into the hole in the pivot bracket.

**STEP 3** Attach top Pivot Bracket Arm ⑦ to Pivot Jamb ① using 1 1/4" Screws ⑨, Only put the screws in about 1/4 of the way.

**STEP 4**

Measure bottom finished opening and cut Threshold ④ to 1/16" less than finished opening dimension.



**STEP 5**

Run a bead of silicone caulk along the bottom lip of Threshold ④ and set it in place with the caulk bead to the outside of the shower opening. Press Threshold ④ down firmly along the entire length of the piece.

**STEP 6**

Set the Pivot Jamb ① on the Threshold ④ with the front edge of the jamb flush to the inside edge of the front lip on the threshold. Using a level to insure plumb, mark hole locations in the pivot jamb on the wall.

**Note: Left pivot installation is shown here. To install door with right pivot, simply flip the pivot jamb over and attach to right wall using the same procedure.**

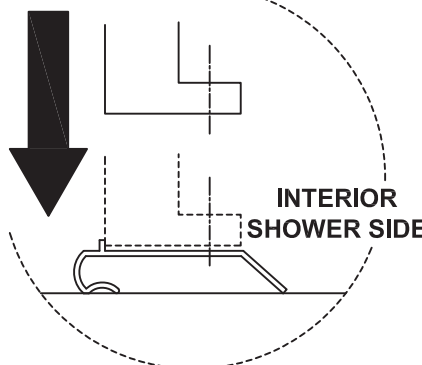
**STEP 7**

Set Pivot Jamb ① aside and drill holes approximately 1 1/2" deep as marked in step 4 and insert wall plugs.

**Note: If drilling into tile, use a 1/4" masonry drill bit. If drilling into an acrylic or fiberglass shower enclosure, use 1/8" drill bit and do not use the wall plugs.**

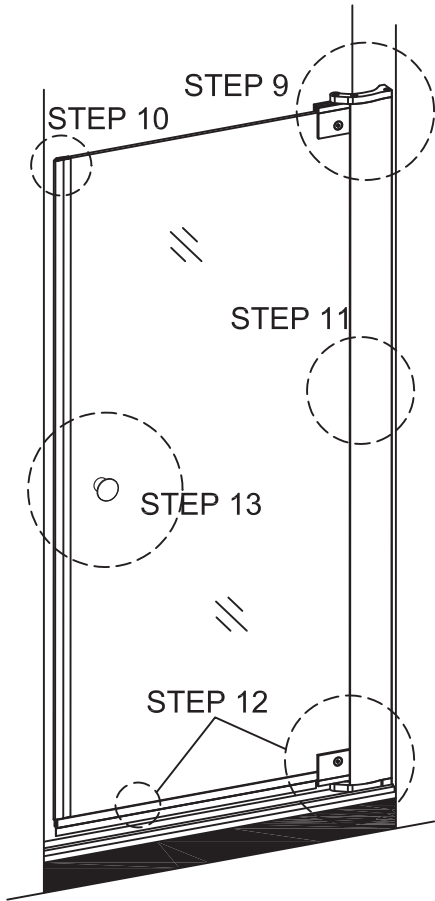
**STEP 8**

Put a small amount of silicone over each hole, set Pivot Jamb ① in place and attach to wall with 1 1/2 Screws ⑬.

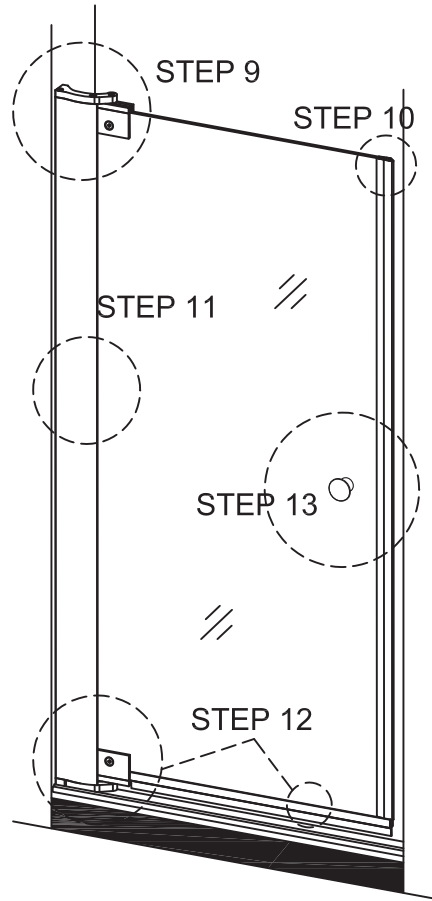


Follow the appropriate diagram below.

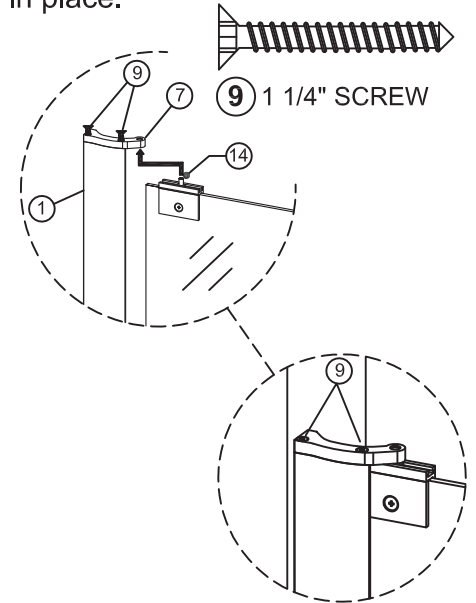
## Right Pivot Assembly



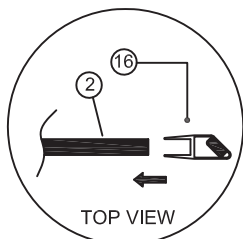
## Left Pivot Assembly



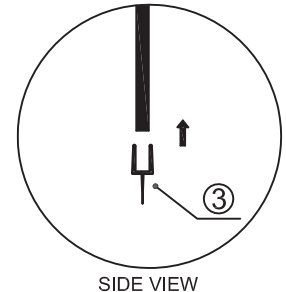
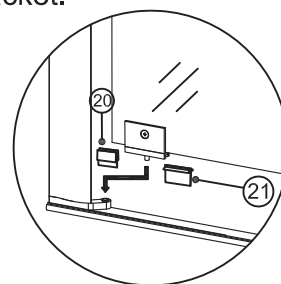
STEP 9 Set glass door into place by placing the pivot pin that sticks out of the bottom pivot plate into the hole in the bottom Pivot Bracket Arm. Slide top Pivot Bracket Arm down over the top pivot pin and tighten down the screws to secure it in place.



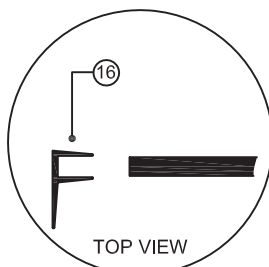
STEP 10 Attach Magnetic Vinyl Strip (16) to end of the door.



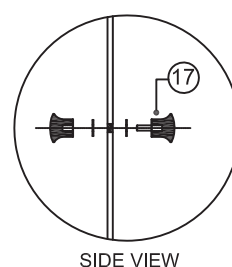
STEP 12 Attach Vinyl Sweep (3) to bottom of glass and (20)(21) to the bottom of the bracket and the back of the bracket.



STEP 11 Attach Pivot Side Vinyl Strip (16) to back of the glass door.

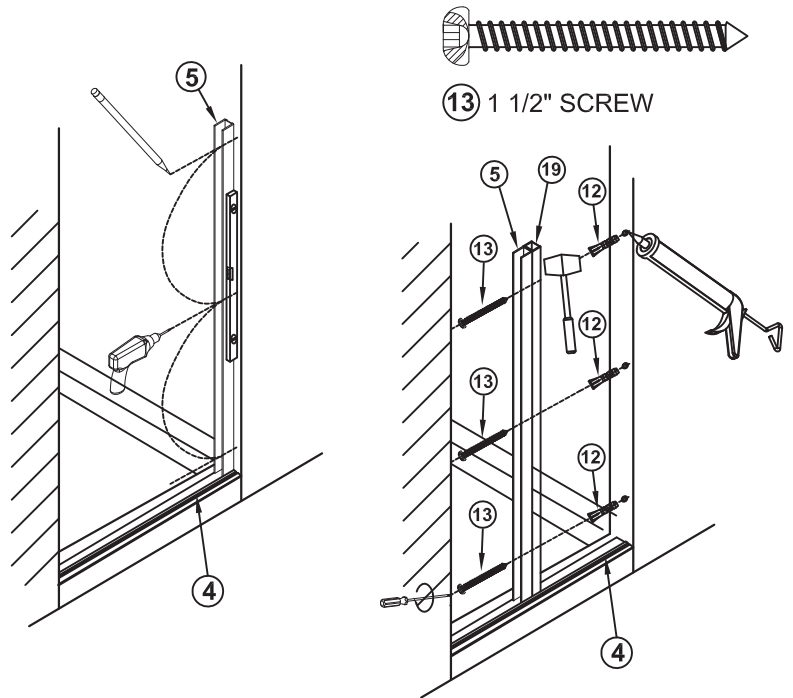


STEP 13 Install Handle (17).

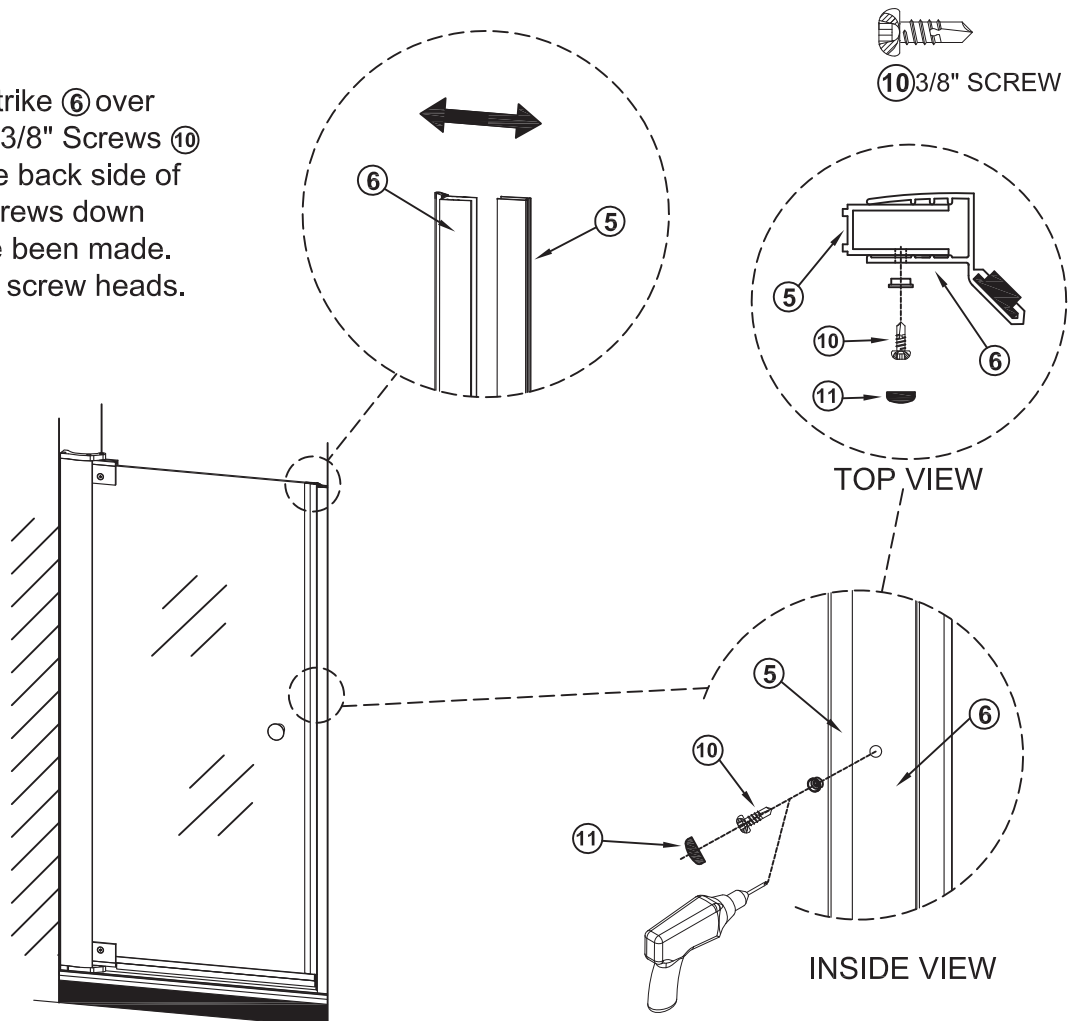


**STEP 14** Set the Strike Adjustment Rail ⑤ on the Threshold ④. Using a level to insure plumb, mark hole locations in the rail on the wall. Set rail aside and drill holes approximately 1 1/2" deep as marked and insert wall plugs.

**STEP 15** Put a small amount of silicone over each hole, set Jamb Extender Piece ⑱ against wall, set Strike Adjustment Rail ⑤ against Extender Piece and attach to wall by running 1-1/2" Screws ⑬ through both pieces and into the holes you drilled.



**STEP 16** Slide Magnetic Strike ⑥ over Adjustment Rail and using 3/8" Screws ⑩ attach them together on the back side of the jamb. Do not tighten screws down until final adjustments have been made. Attach Screw Caps ⑪ over screw heads.



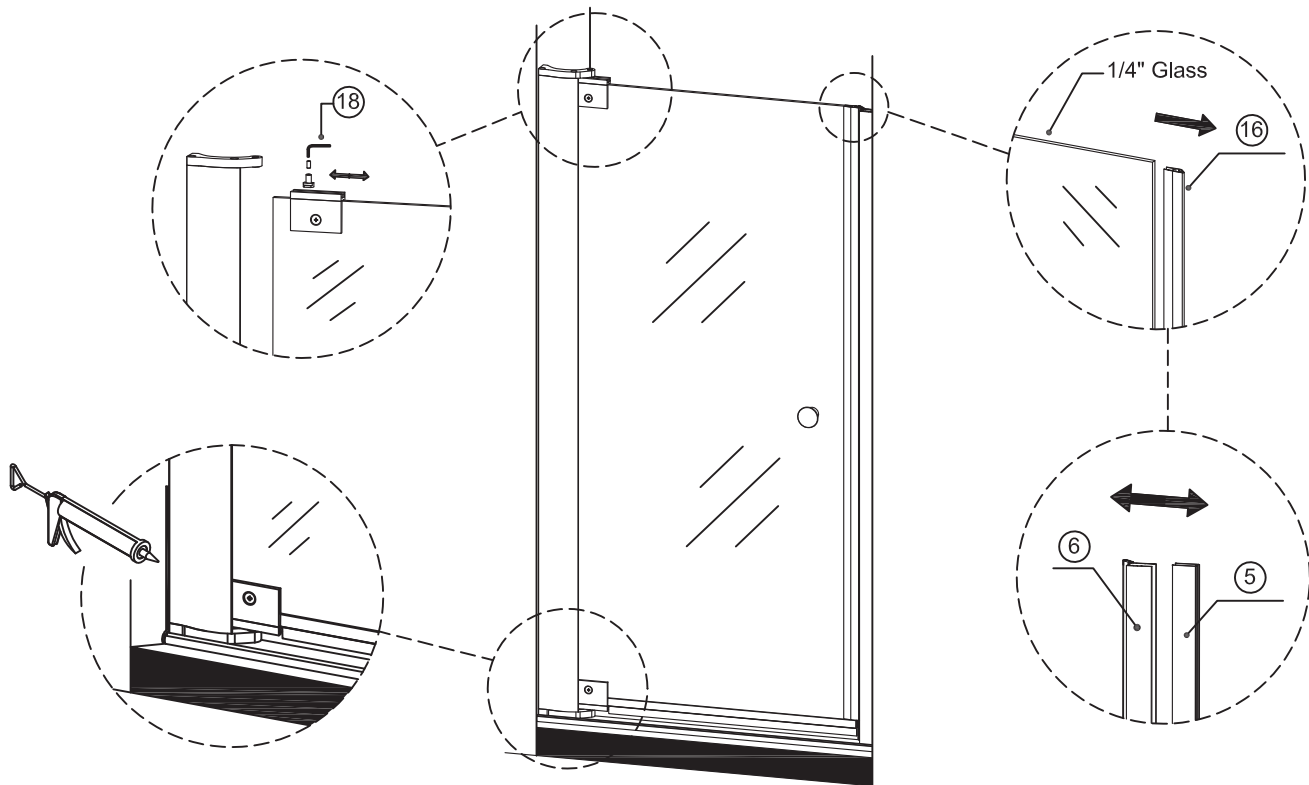
## FINAL ADJUSTMENTS

Close the door and verify that the door closes flush to the magnetic strike jamb (6) from top to bottom. If the magnetic vinyl strip on the glass panel does not reach the strike jamb, you will have to remove the glass door panel and adjust the pivot pins attached to the top and bottom pivot plates. In the parts kit you will find a small allen wrench that fits inside the pivot pins. There is a set screw inside each pin that can be loosened to allow the pin to slide along the pivot plate to adjust your door to the proper opening.

\*\*Be sure to loosen top and bottom pins for proper adjustment and re-tighten them once proper location has been achieved. - Be careful not to over-tighten. \*\*

**WARNING: DO NOT ATTEMPT TO ADJUST PIVOT PINS WHILE DOOR IS HANGING. You must remove the door panel from the frame to make these adjustments. Failure to do so may result in injury or damage to the product.**

Additional adjustment can be gained by sliding the magnetic vinyl strip (16) in or out along the edge of the glass door panel.



CAULK ALL SIDES



**24** Hours

**FINAL STEP:** Caulk both sides of the shower door frame to seal. Keep the entire area dry for a minimum of **24** hours. Your installation is now complete.

If you need assistance or customer service, please contact us at our California facility.

Toll-free: 855-480-2915

E-mail: [infoservice@miseno.com](mailto:infoservice@miseno.com)

Hours: M-F 8AM to 5PM (PST)