

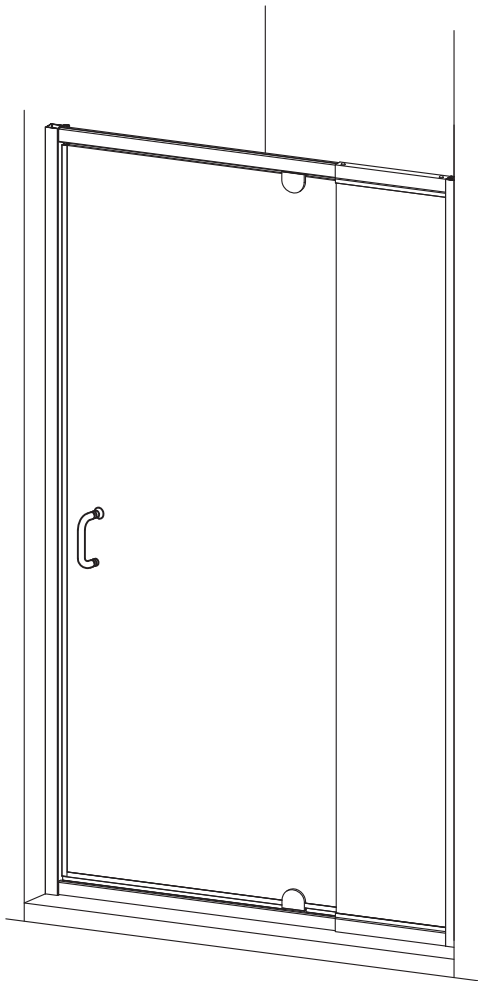
PIVOT 1/4" SEMI - FRAMELESS DOOR AND PANEL

MISENO

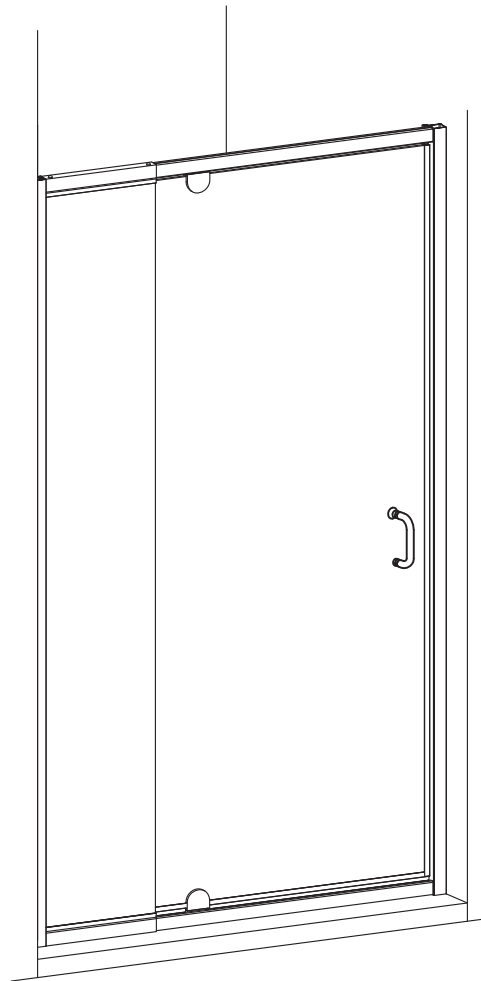
Customer Service 1-855-480-2915

COPY THE MODEL NUMBER FOR YOUR RECORDS HERE #

READ THE INSTRUCTIONS CAREFULLY, familiarize yourself with all the parts as shown in the exploded view. The exploded view will also provide a helpful reference when relating to the location of the various parts and how they are mounted.



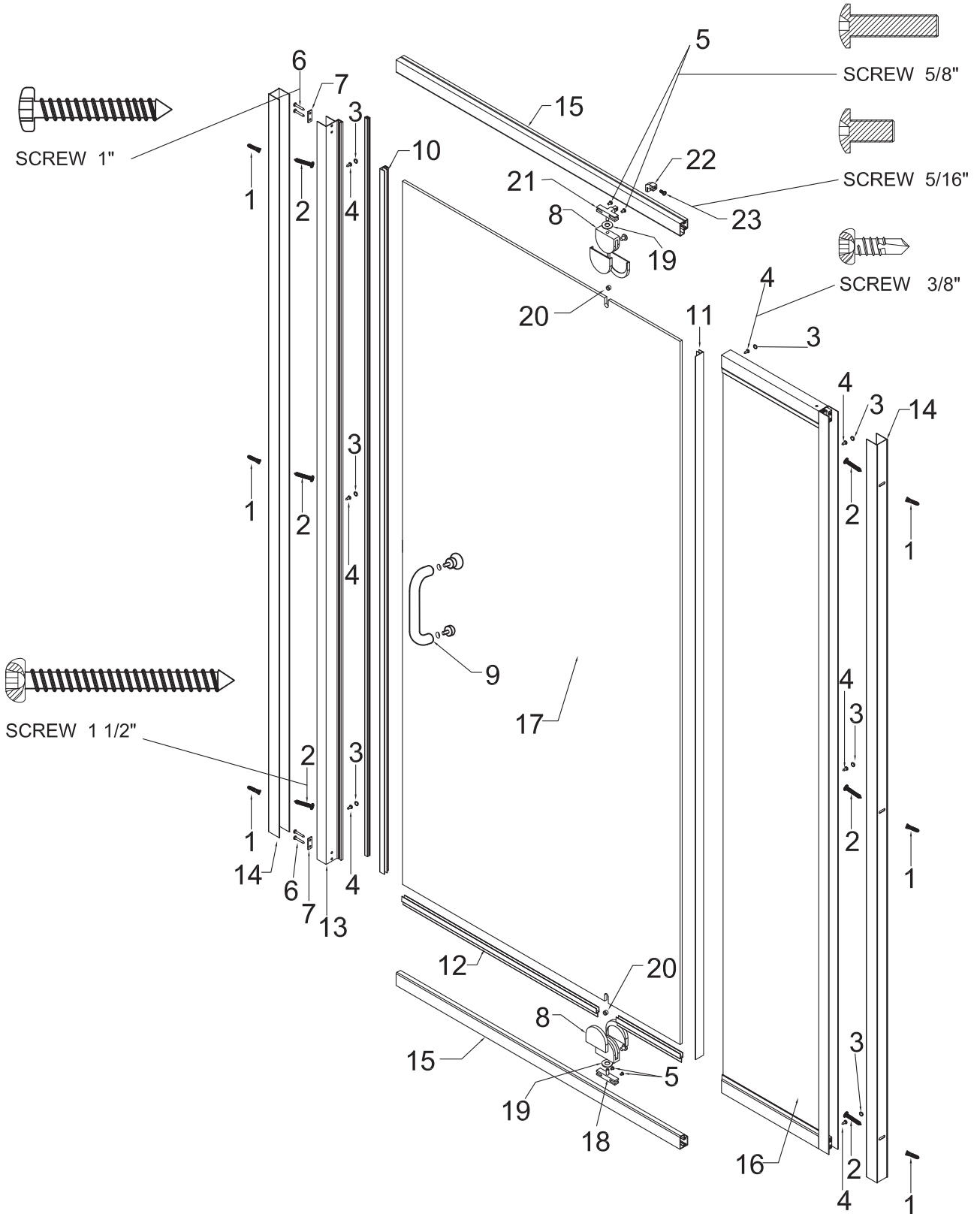
Right Pivot Install



Left Pivot Install

PIVOT 1/4"
SEMI-FRAMELESS DOOR AND PANEL

MISENO
Customer Service 1-855-480-2915







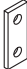
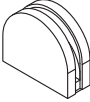
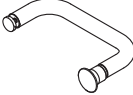
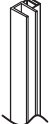


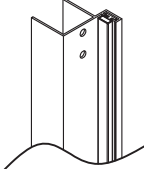
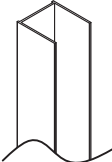
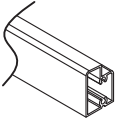
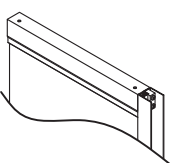
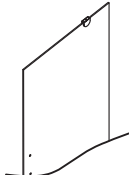
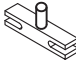


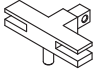




PIVOT 1/4"
SEMI- FRAMELESS DOOR AND PANEL

MISENO

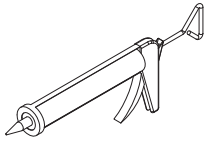
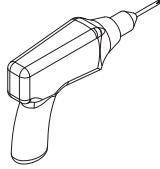
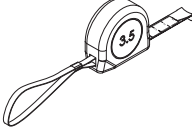
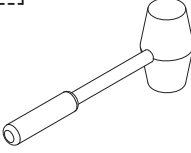
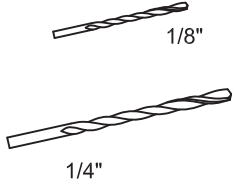
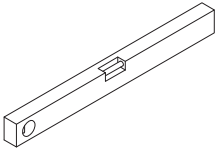
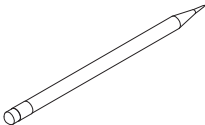
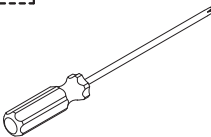

Customer Service 1-855-480-2915

PARTS LIST.

							
WALL PLUG (6 pcs)	SCREW 1 1/2" (6pcs)	SCREW CAP (11pcs)	SCREW 3/8" (8pcs)	SCREW 5/8" (4pcs)			
							
SCREW 1" (4pcs)	Aluminum Gasket (2 pcs)	PIVOT (2 pcs)	HANDLE (1 pcs)	Door Magnetic Plastic (2 pcs)			
							
Pivot Side Splash Guard (1 pcs)	Plastic Sweep (2 pcs)	Magnetic Wall Jamb (1 pcs)	WALL JAMB (2 pcs)	TOP / BOTTOM TRACK(2 pcs)			
							
Fixed Panel(1 pcs)	DOOR(1 pcs)	BOTTOM PIVOT BLOCKS(1 pcs)	PIVOT WASHER (2 pcs)	WASHER (2 pcs)	TOP PIVOT BLOCKS(1 pcs)	STOPPER (1 pcs)	SCREW 5/16" (1 pcs)

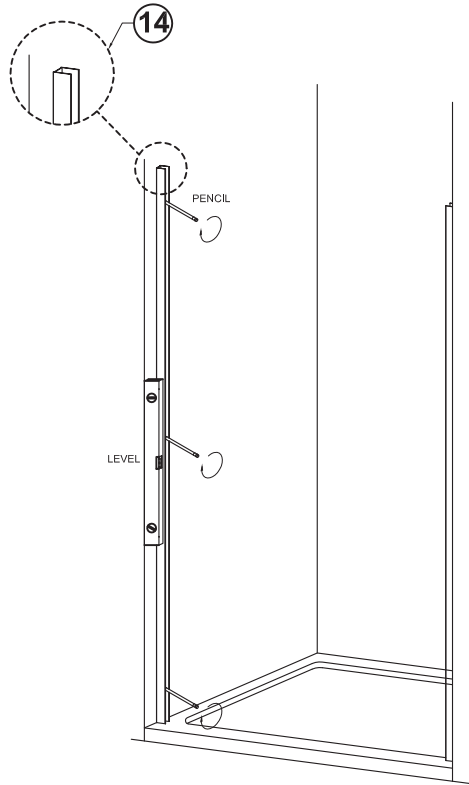
WARNING: Safety glasses should always be worn when working with tempered glass

Recommended TOOLS

				
SILICONE	DRILL	MEASURE TAPE	RUBBER MALLET	DRILL BITS
				
LEVEL	PENCIL	SCREW DRIVERS	SAFETY GLASSES	

PIVOT 1/4" SEMI- FRAMELESS DOOR AND PANEL

STEP 1 Set the level on the walls to ensure that they are plum, then set the wall jambs ⑭ in place and mark the hole locations.



STEP 2 Next drill holes in the wall and using a rubber mallet, insert the wall plugs ①.

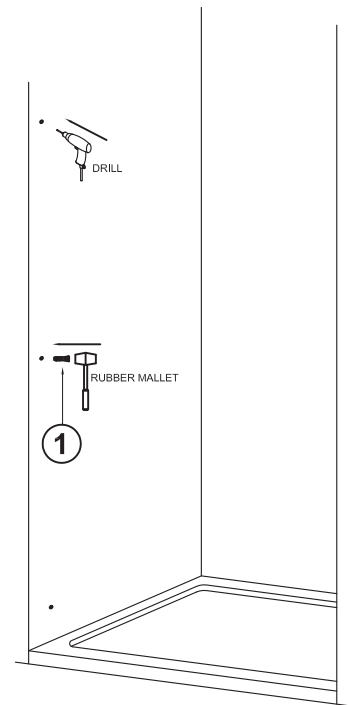
Step 2-1: For Acrylic & Fiberglass Shower Enclosures
Using a 1/8 inch drill bit, drill a hole about 1-1/2 inch deep at each of the previously marked locations.

WARNING: Do not use wall anchors with fiberglass of acrylic shower enclosures

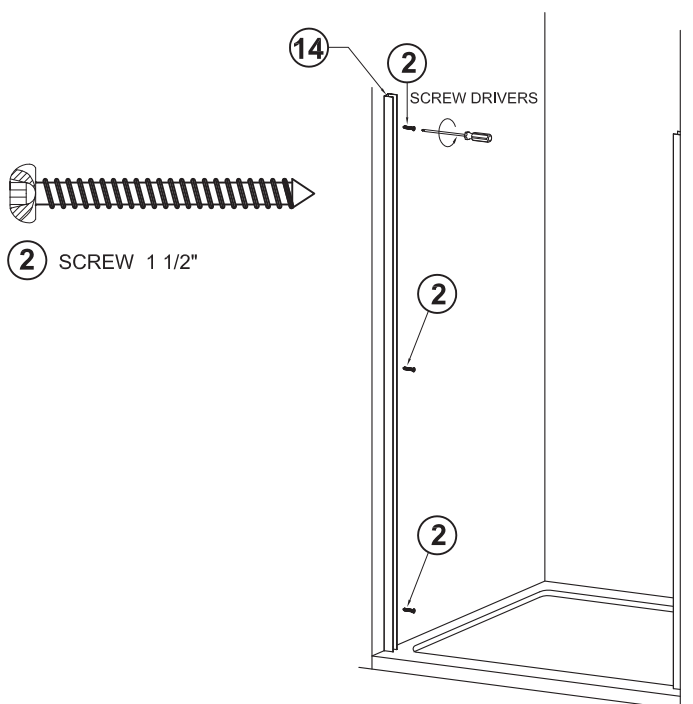
Step 2.2: For Tiled Shower Enclosures

Using a 1/4 inch Masonry drill bit, drill a hole about 1-1/2 inch deep at each of the previously marked locations.

Step 2.3: For Tiled Shower Enclosures
Insert wall anchors ① into each of the drilled holes.



STEP 3 Set wall jambs ⑭ in place and screw ② into the walls.

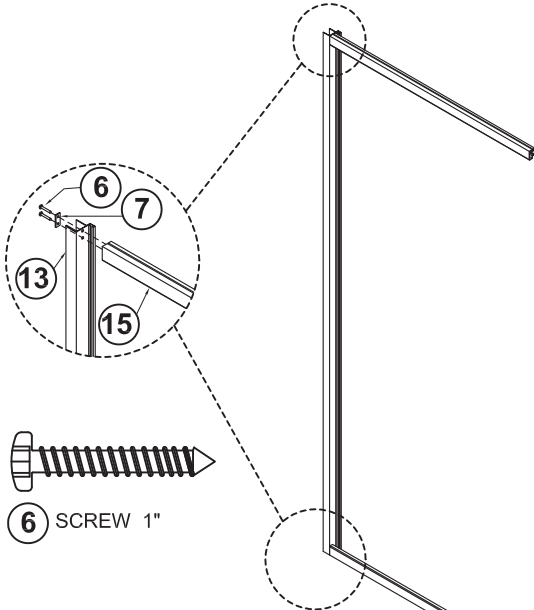


PIVOT 1/4"
SEMI-FRAMELESS DOOR AND PANEL

Choose whether you will need to assemble your shower door to open from the right or left.
Follow the appropriate diagram below.

Right Pivot Assembly

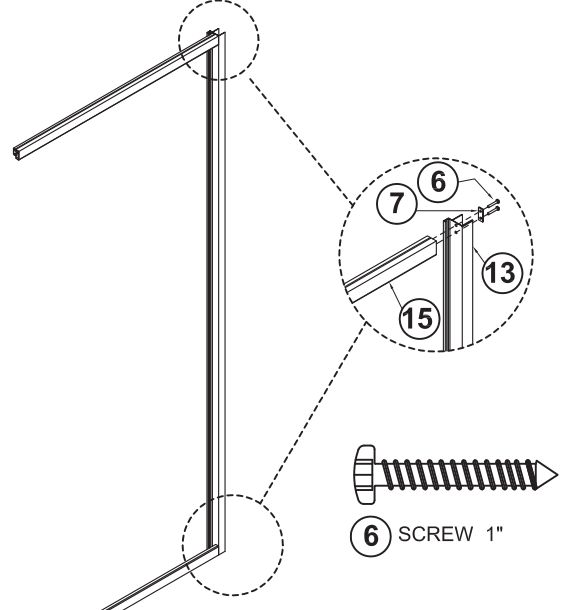
STEP 4 Connect magnetic wall jamb (13) to the top and bottom track (15) with aluminum gasket (7) and screws (6), the screws get attached from the back side of the jamb into the top and bottom.



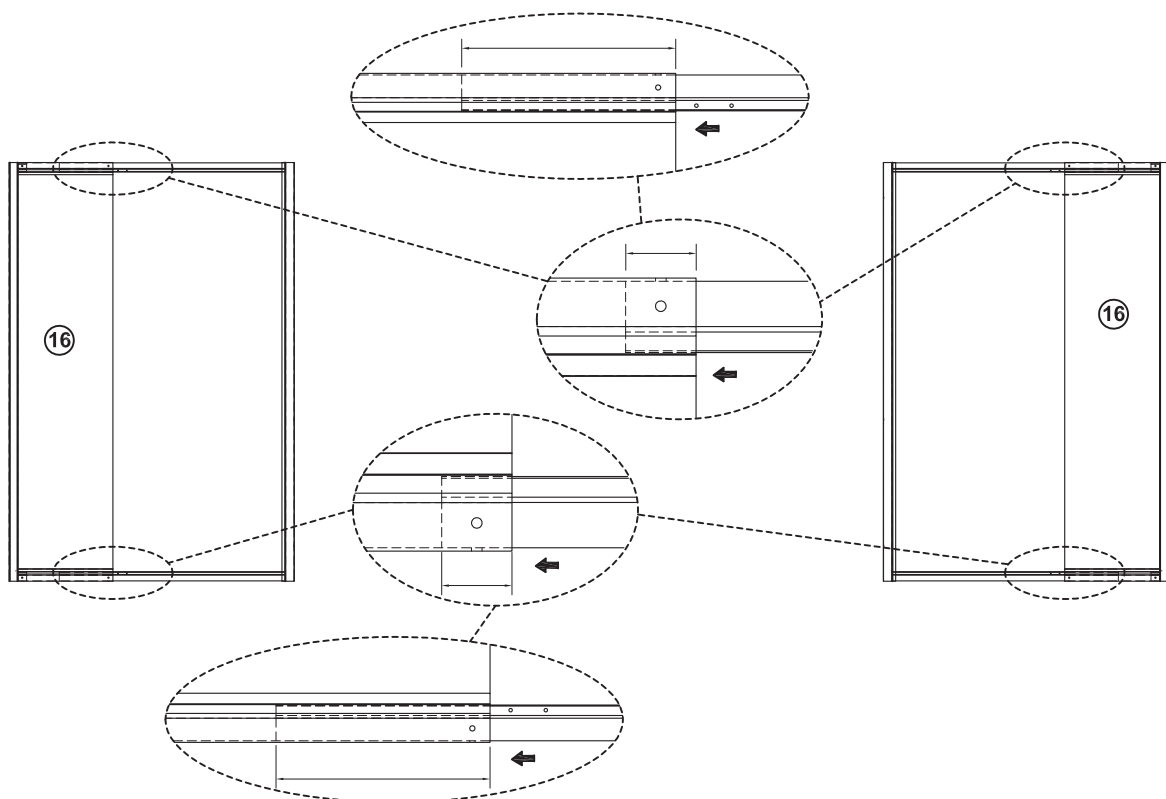
STEP 5 Insert frame ends into the top and bottom opening of fixed panel (16) and slide until entire assembly is roughly 4" narrower than overall opening width.

Left Pivot Assembly

STEP 4 Connect magnetic wall jamb (13) to the top and bottom track (15) with aluminum gasket (7) and screws (6), the screws get attached from the back side of the jamb into the top and bottom.



STEP 5 Insert frame ends into the top and bottom opening of fixed panel (16) and slide until entire assembly is roughly 4" narrower than overall opening width.



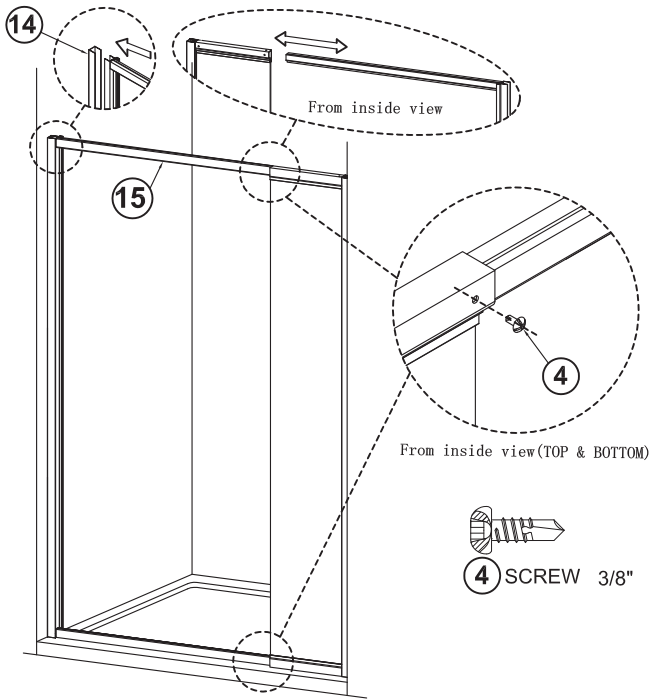
PIVOT 1/4" SEMI-FRAMELESS DOOR AND PANEL

MISENO

Customer Service 1-855-480-2915

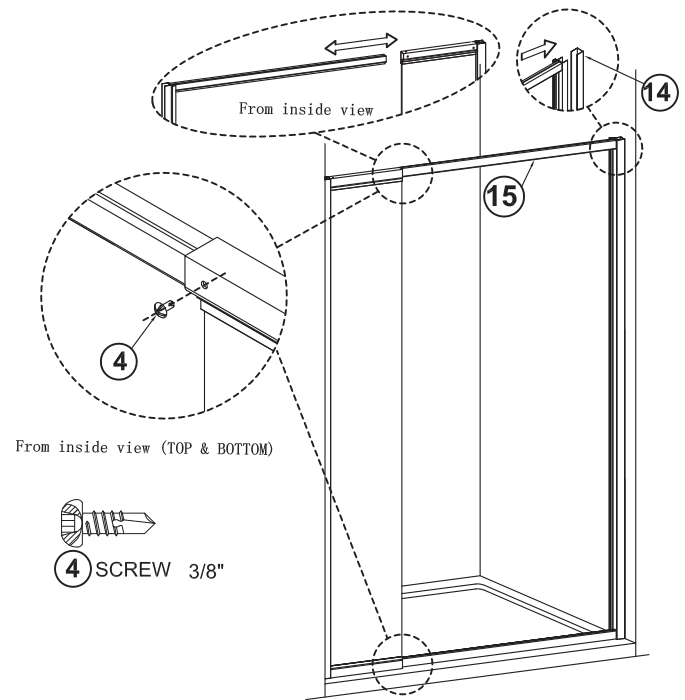
Right Pivot Assembly

STEP 6 Lift entire frame assembly into opening and push ends outward to engage wall jambs. Use ④ screw on top and bottom frame to lock assembly in place.

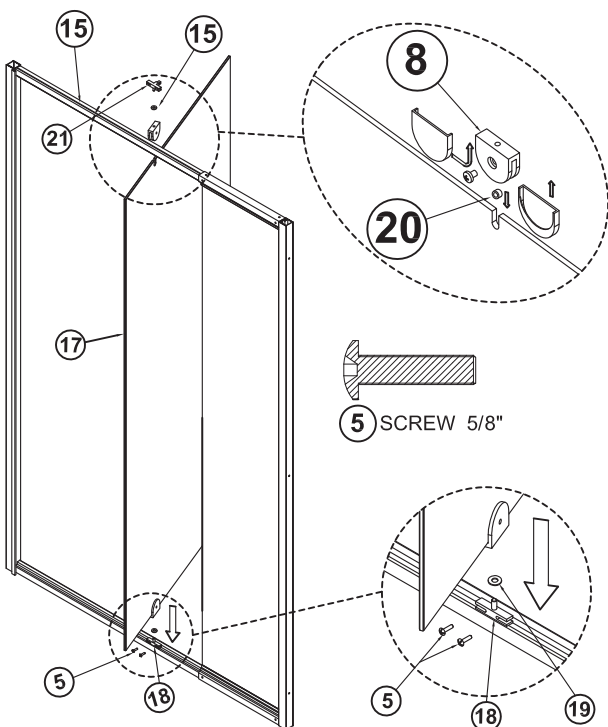


Left Pivot Assembly

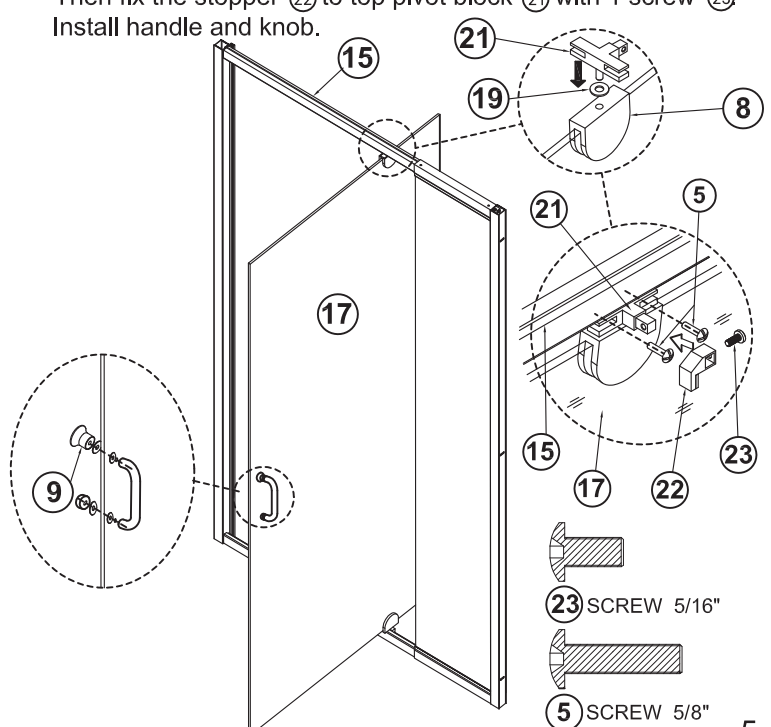
STEP 6 Lift entire frame assembly into opening and push ends outward to engage wall jambs. Use ④ screw on top and bottom frame to lock assembly in place.



STEP 7 Insert Pivots ⑧ over the glass and screw together. Set pivot washer ⑲ over pivot pin on top of pivot block. carefully lower door panel ⑰ on to pivot block ⑱ inserting pivot pin into corresponding hole in pivot ⑧, slide decorative covers over both faces of pivots ⑧.



STEP 8 Tilt door panel ⑰ slightly into the shower. set pivot washer ⑲ over pivot block ⑱ pin and insert pin into top of pivot ⑧, Tilt door panel back up and attach pivot block ⑲ to top frame ⑮ with 2 screws ⑤, adjust any gaps by sliding top and bottom pivot block ⑧ and re-tightening mounting screws, Then fix the stopper ⑳ to top pivot block ⑲ with 1 screw ㉓. Install handle and knob.

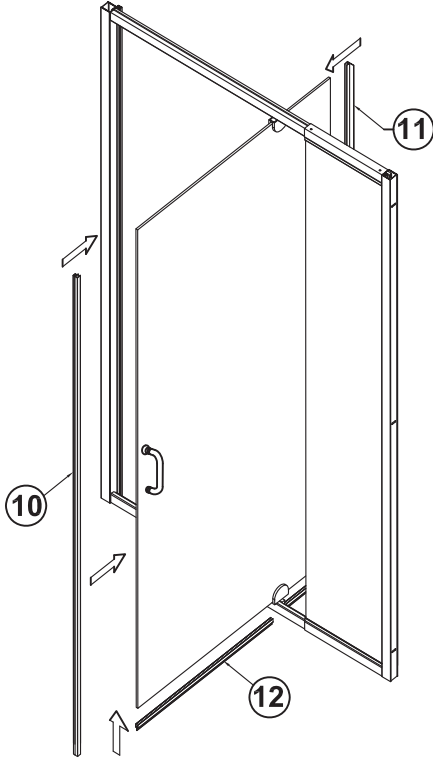


PIVOT 1/4"
SEMI- FRAMELESS DOOR AND PANEL

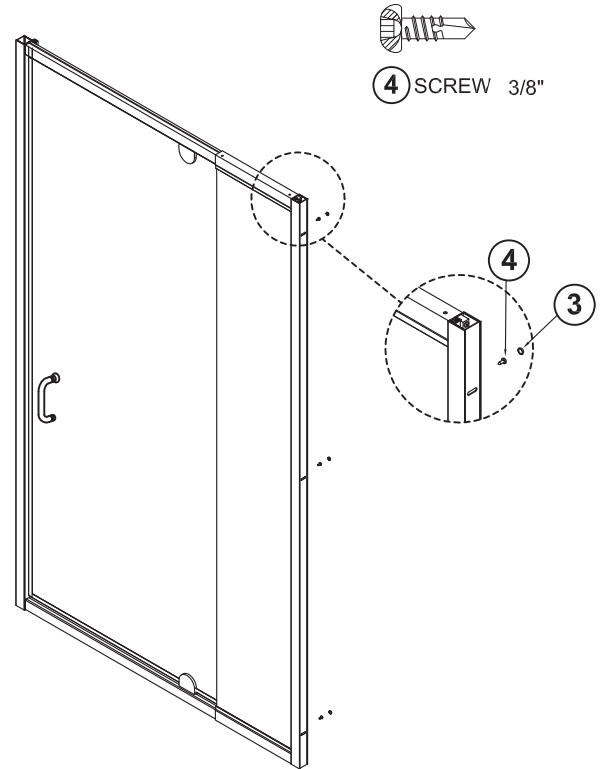
MISENO

Customer Service 1-855-480-2915

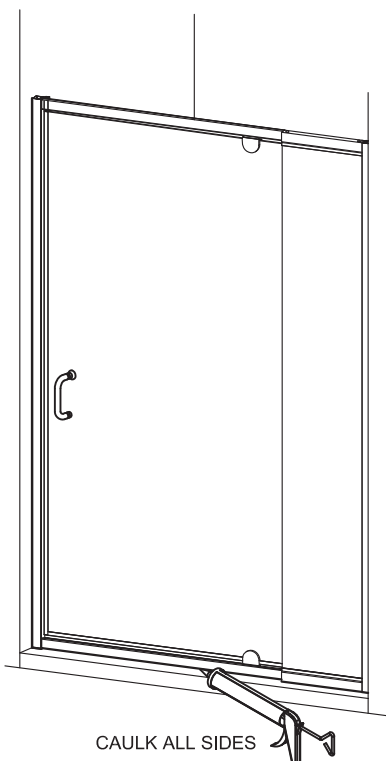
STEP 9 Attach magnetic door plastic (10) to outside of glass door panel (17). Next, attach Pivot side splash guard (11) to opposite end of glass and Sweep (12) on the bottom.



STEP 10 Make adjustments to fit opening, add screws (3) into the frame work and cover screws with caps (4).



STEP 11 CAULK ALL SIDES.



FINAL STEP: Caulk the inside sides of the shower door frame to seal. Keep the entire area dry for a minimum of 24 hours. Your installation is now complete.

Toll-Free: 1-855-480-2915

E-mail: infoservice@miseno.com

Hours: 7:00am - 5:00pm PSD M-F